

CGA3E1X7S0G106M080AC

TDK Item Description : CGA3E1X7S0G106MT****



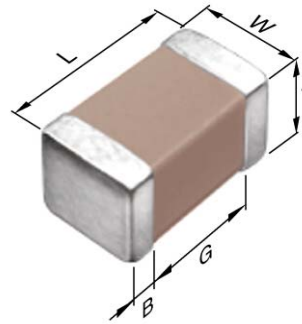
Equivalent C1608X7S0G106M for Automotive

Application & Main Feature

Automotive Grade (General (Up to 50V))

Series

CGA3(1608) [EIA 0603]



Dimensions

L	1.60mm +0.3,-0.1mm
W	0.80mm +0.3,-0.1mm
T	0.80mm +0.3,-0.1mm
B	0.20mm Min.
G	0.30mm Min.

Temperature Characteristic

X7S (-55 to 125 degC +/-22%)

Rated Voltage

0G (4Vdc)

Capacitance

10uF

Capacitance Tolerance

M (+/-20%)

Dissipation Factor

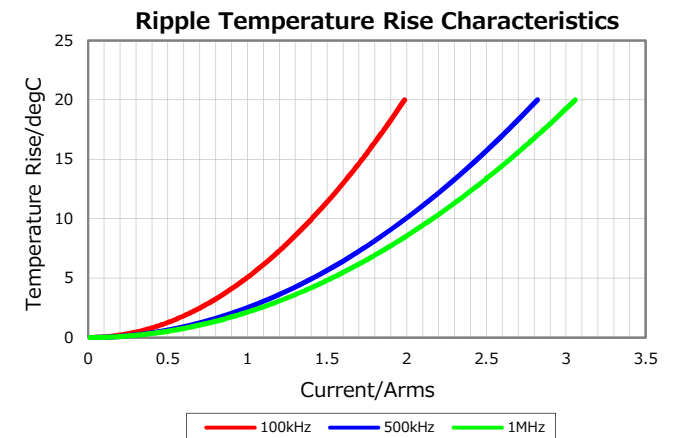
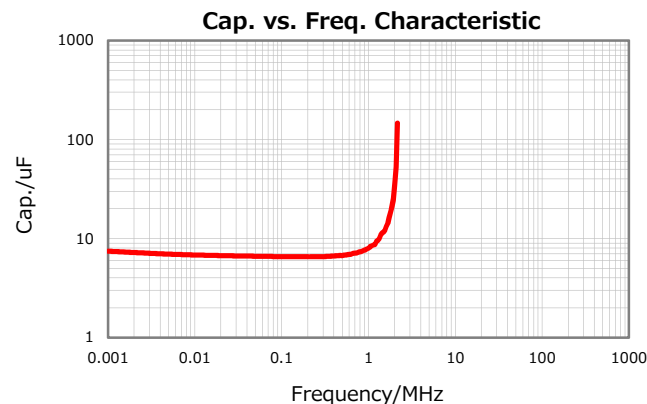
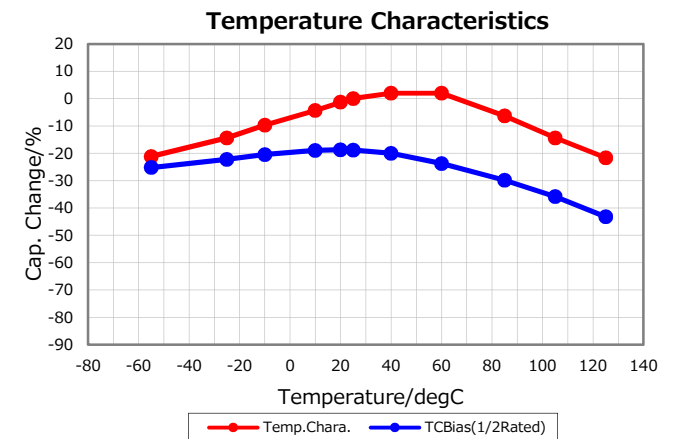
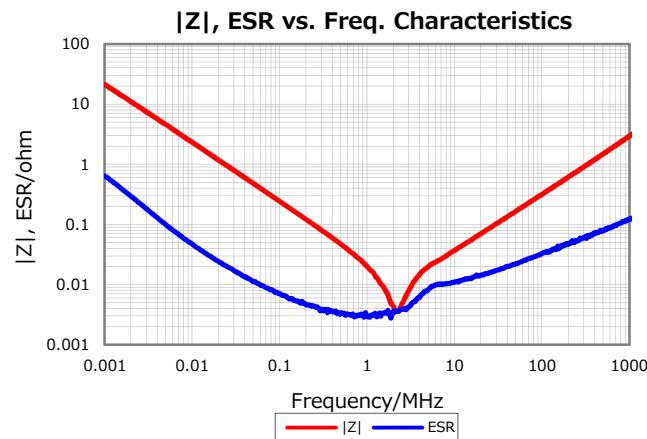
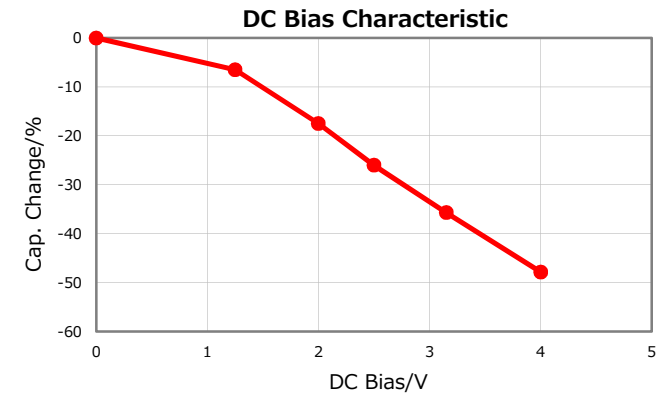
10% Max.

Insulation Resistance

10Mohm Min.

AEC-Q200

YES



Characterization Sheet (Multilayer Ceramic Chip Capacitors)



⚠ All specifications are subject to change without notice.

July 4, 2018