

CGA3E1X7S1C155K080AC

TDK item description : CGA3E1X7S1C155KT****



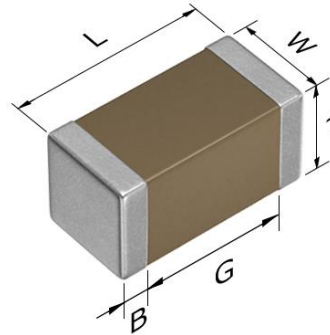
Equivalent C1608X7S1C155K for Automotive

Application & Main Feature

Automotive grade (General type)

Series

CGA3(1608) [EIA 0603]



Dimensions

L 1.60±0.10 mm
 W 0.80±0.10 mm
 T 0.80±0.10 mm
 B 0.20 mm min.
 G 0.30 mm min.

Temperature Characteristic

X7S (-55 to +125 degC, ±22%)

Rated Voltage

1C (16Vdc)

Capacitance

1.5µF

Capacitance Tolerance

K (±10%)

DF

7.5 % max.

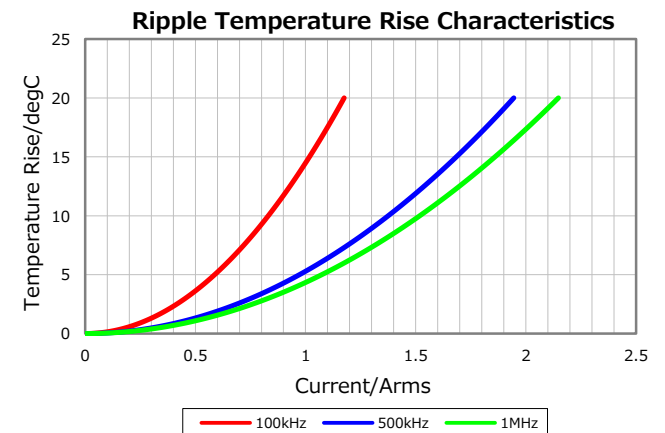
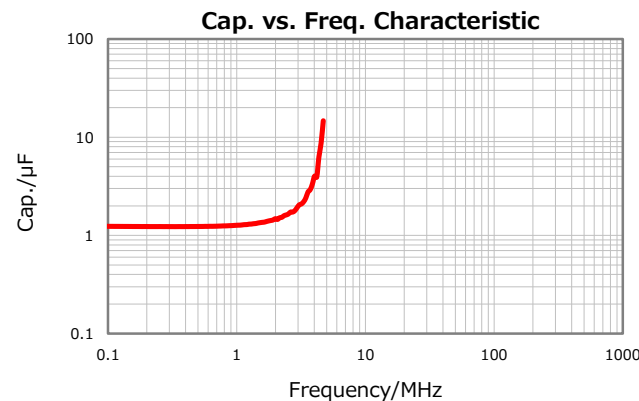
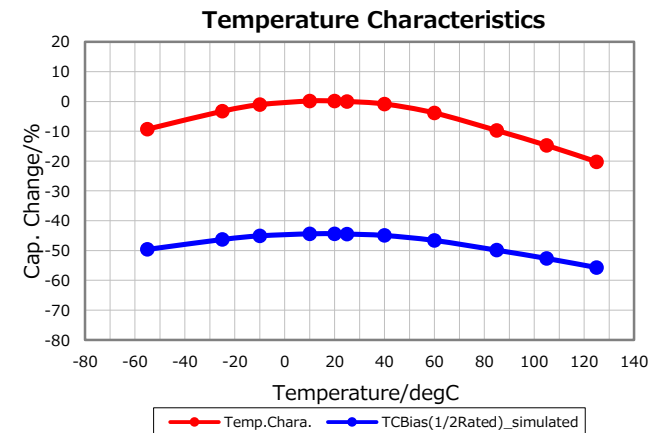
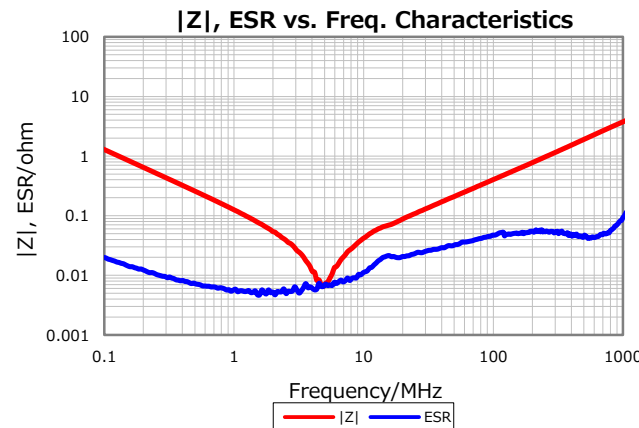
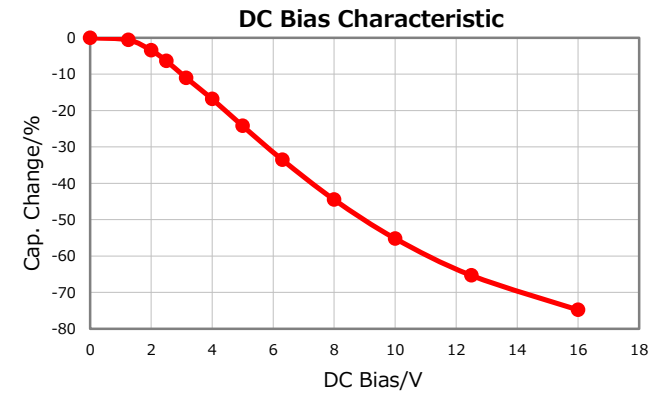
Insulation Resistance

66 Mohm min.

AEC-Q200

Yes

Characterization Sheet (Multilayer Ceramic Chip Capacitors)



⚠ All specifications are subject to change without notice.

January 10, 2021