

# CGA3E1X7T1A475K080AC

TDK item description : CGA3E1X7T1A475KT\*\*\*\*



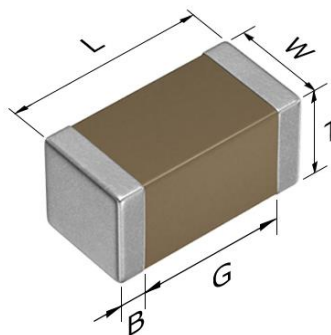
Equivalent C1608X7T1A475K for Automotive

## Application & Main Feature

Automotive grade (General type)

## Series

CGA3(1608) [EIA 0603]



## Dimensions

L	1.60+0.30,-0.10 mm
W	0.80+0.30,-0.10 mm
T	0.80+0.30,-0.10 mm
B	0.20 mm min.
G	0.30 mm min.

## Temperature Characteristic

X7T (-55 to +125 degC, +22/-33%)

## Rated Voltage

1A (10Vdc)

## Capacitance

4.7µF

## Capacitance Tolerance

K (±10%)

## DF

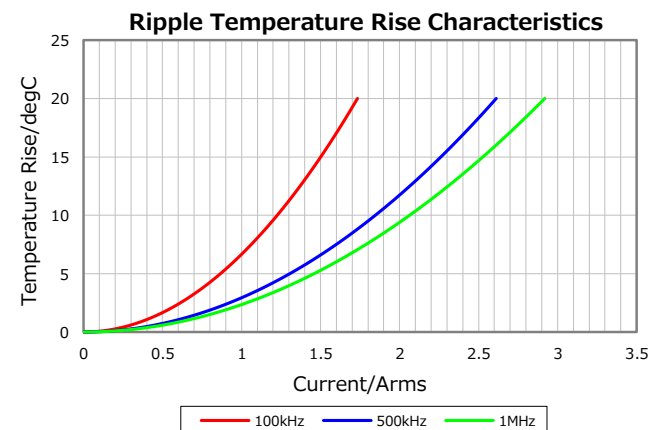
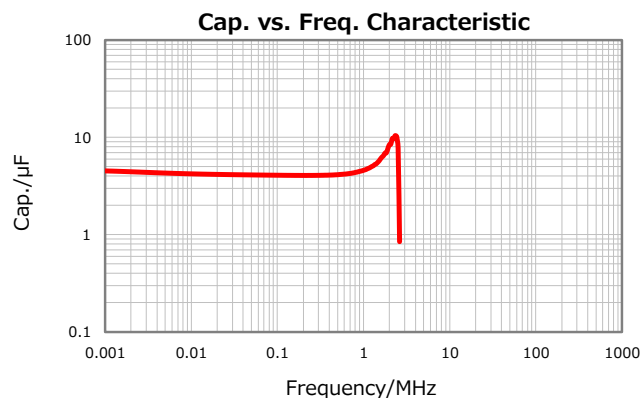
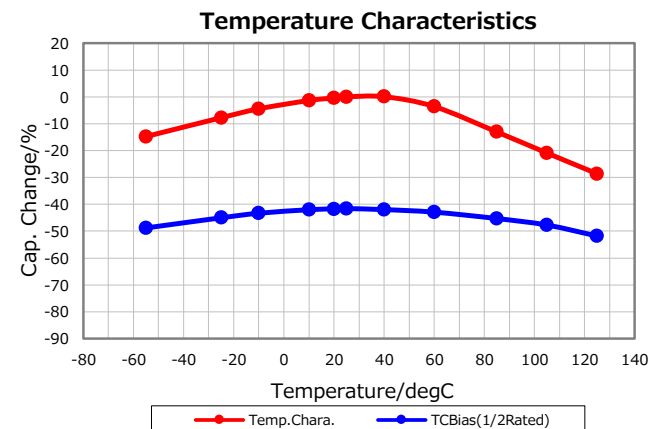
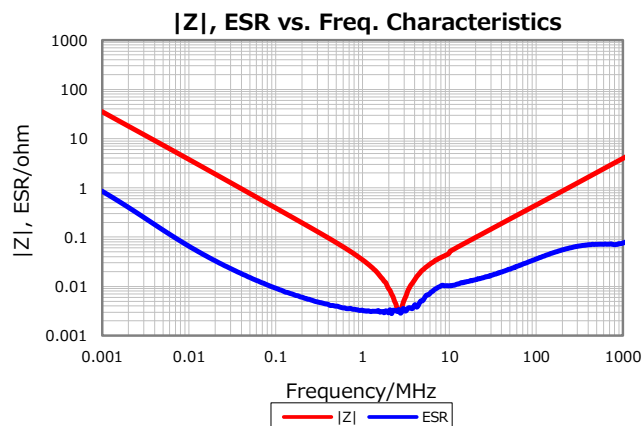
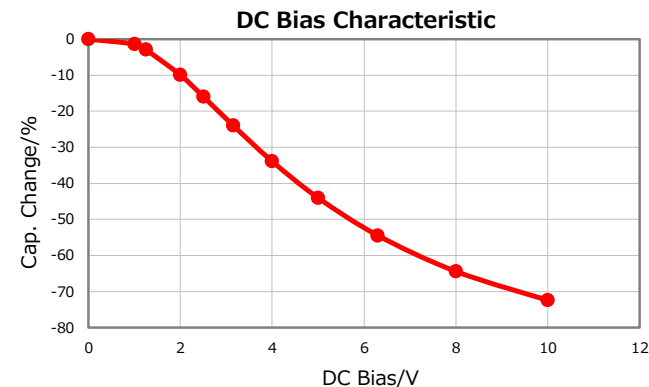
10 % max.

## Insulation Resistance

21 Mohm min.

## AEC-Q200

Yes



Characterization Sheet ( Multilayer Ceramic Chip Capacitors )



⚠ All specifications are subject to change without notice.

April 18, 2022