

# CGA3E1X8L1C105K080AC

TDK item description : CGA3E1X8L1C105KT\*\*\*\*



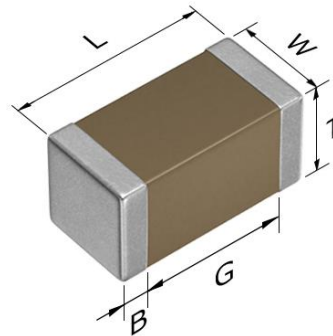
Equivalent C1608X8L1C105K for Automotive

## Application & Main Feature

Automotive grade (General type)

## Series

CGA3(1608) [EIA 0603]



## Dimensions

L 1.60±0.10 mm  
 W 0.80±0.10 mm  
 T 0.80±0.10 mm  
 B 0.20 mm min.  
 G 0.30 mm min.

## Temperature Characteristic

X8L (-55 to +150 degC, +15/-40%)

## Rated Voltage

1C (16Vdc)

## Capacitance

1µF

## Capacitance Tolerance

K (±10%)

## DF

5 % max.

## Insulation Resistance

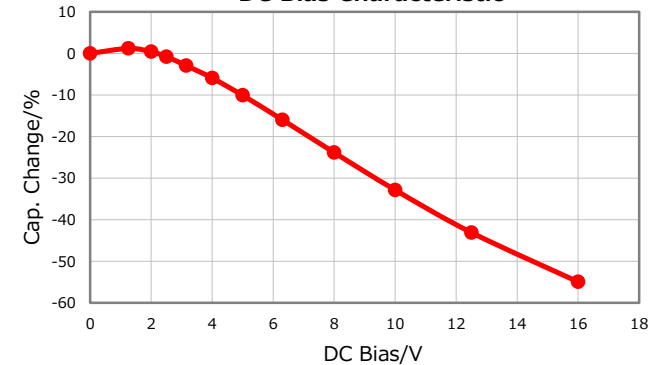
100 Mohm min.

## AEC-Q200

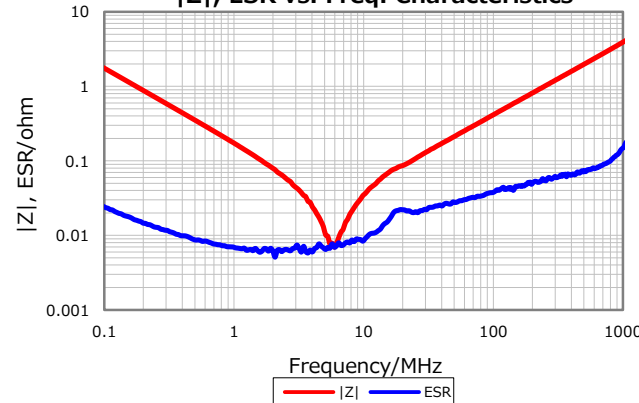
Yes

Characterization Sheet ( Multilayer Ceramic Chip Capacitors )

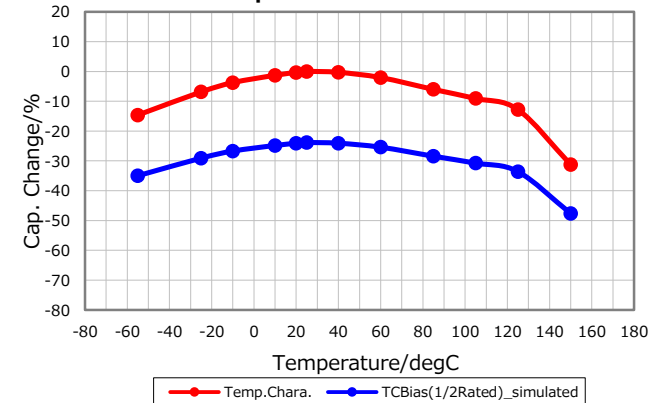
## DC Bias Characteristic



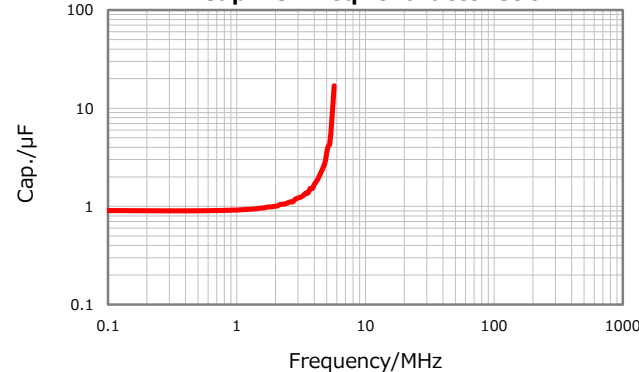
## |Z|, ESR vs. Freq. Characteristics



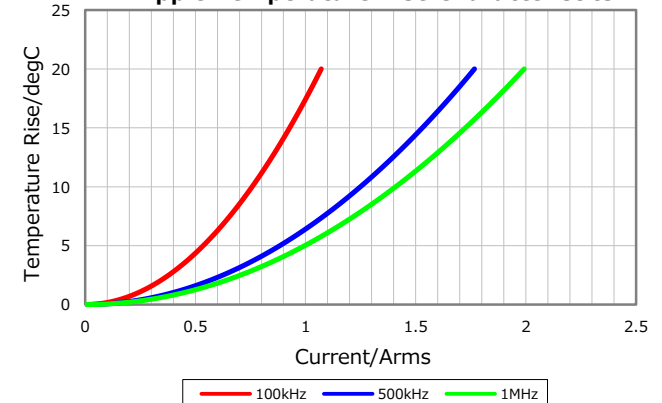
## Temperature Characteristics



## Cap. vs. Freq. Characteristic



## Ripple Temperature Rise Characteristics



⚠ All specifications are subject to change without notice.

January 11, 2021