

# CGA3E3X5R1A155K080AB

TDK Item Description : CGA3E3X5R1A155KT\*\*\*\*



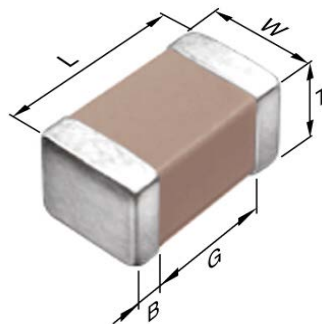
Equivalent C1608X5R1A155K for Automotive

## Application & Main Feature

Automotive Grade(Up to 50V)

## Series

CGA3(1608) [EIA 0603]



## Dimensions

L	1.60mm ±0.10mm
W	0.80mm ±0.10mm
T	0.80mm ±0.10mm
B	0.20mm Min.
G	0.30mm Min.

## Temperature Characteristic

X5R (-55 to 85 degC +/-15%)

## Rated Voltage

1A(10Vdc)

## Capacitance

1.5uF

## Capacitance Tolerance

K (±10%)

## Dissipation Factor

10% Max.

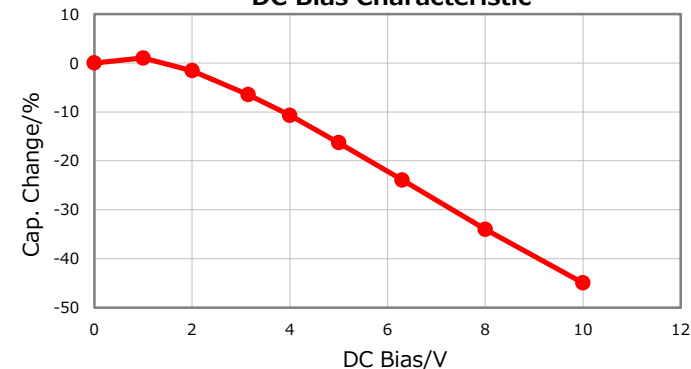
## Insulation Resistance

66Mohm Min.

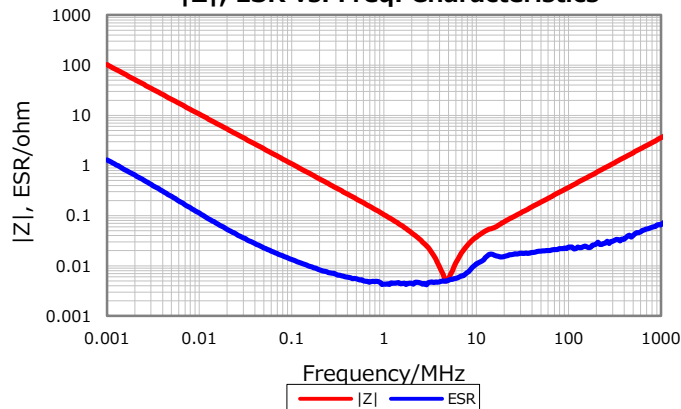
## AEC-Q200

Yes

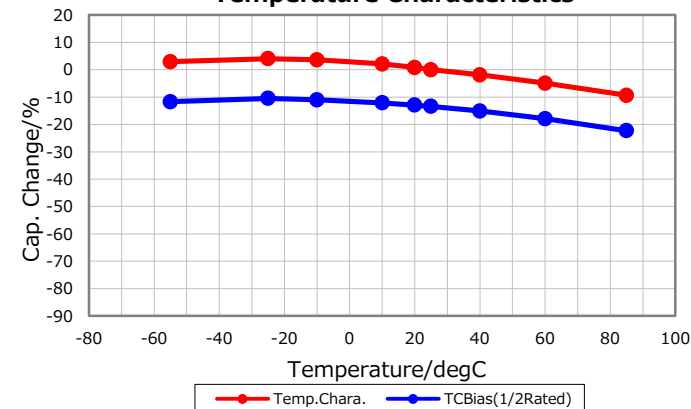
## DC Bias Characteristic



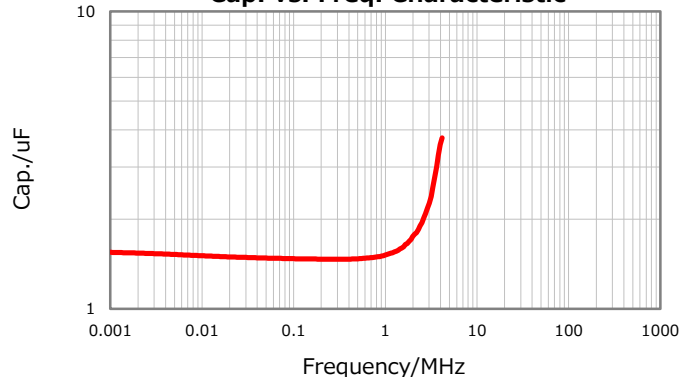
## |Z|, ESR vs. Freq. Characteristics



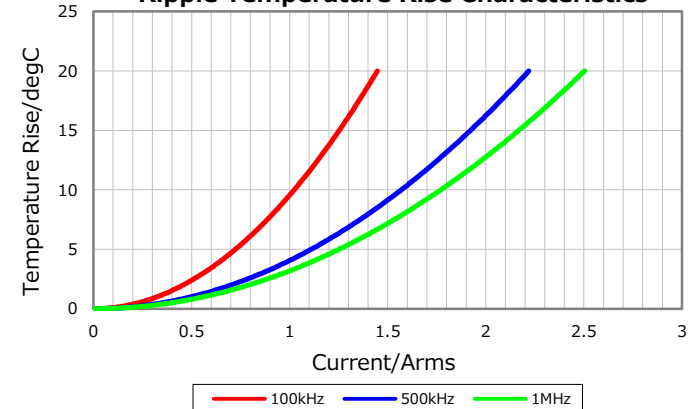
## Temperature Characteristics



## Cap. vs. Freq. Characteristic



## Ripple Temperature Rise Characteristics



Characterization Sheet ( Multilayer Ceramic Chip Capacitors )



All specifications are subject to change without notice.

October 24, 2018