

CGA3E3X5R1E334M080AB

TDK item description : CGA3E3X5R1E334MT****



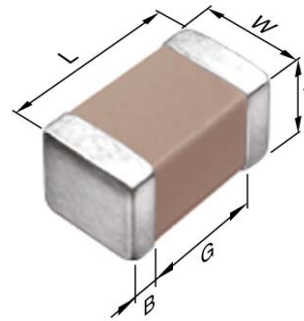
Equivalent C1608X5R1E334M for Automotive

Application & Main Feature

Automotive grade (General type)

Series

CGA3(1608) [EIA 0603]



Dimensions

| | |
|---|--------------|
| L | 1.60±0.10 mm |
| W | 0.80±0.10 mm |
| T | 0.80±0.10 mm |
| B | 0.20 mm min. |
| G | 0.30 mm min. |

Temperature Characteristic

X5R (-55 to +85 degC, ±15%)

Rated Voltage

1E (25Vdc)

Capacitance

330nF

Capacitance Tolerance

M (±20%)

Dissipation Factor

5 % max.

Insulation Resistance

1515 Mohm min.

AEC-Q200

Yes

