

# CGA3E3X7R1E334K080AD

TDK item description : CGA3E3X7R1E334KT\*\*\*B



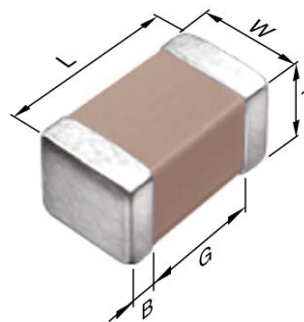
Equivalent C1608X7R1E334K for Automotive

## Application & Main Feature

Automotive grade (Conductive epoxy application)

## Series

CGA3(1608) [EIA 0603]



## Dimensions

L	1.60±0.15 mm
W	0.80±0.15 mm
T	0.80±0.15 mm
B	0.20 mm min.
G	0.30 mm min.

## Temperature Characteristic

X7R (-55 to +125 degC, ±15%)

## Rated Voltage

1E (25Vdc)

## Capacitance

330nF

## Capacitance Tolerance

K (±10%)

## Dissipation Factor

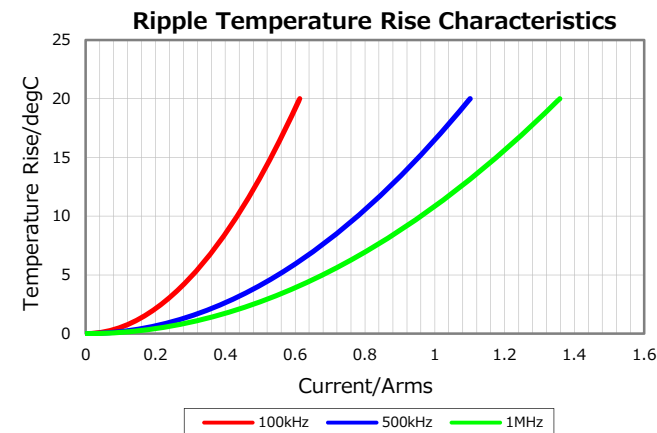
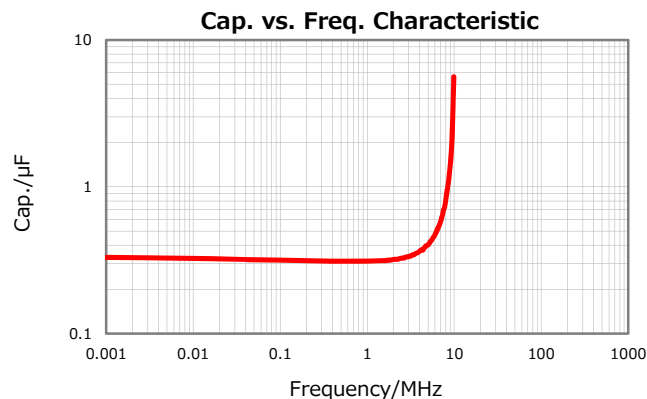
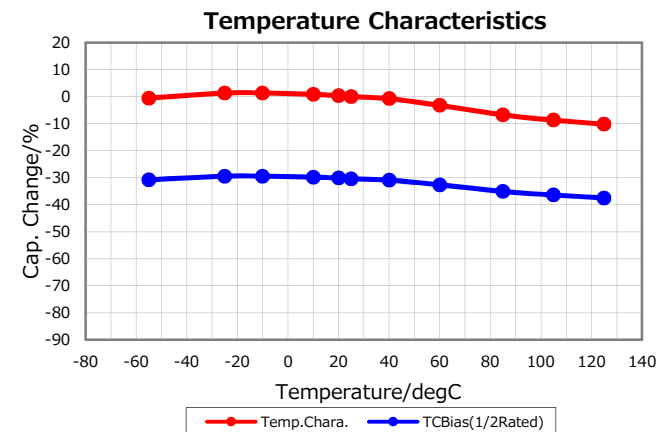
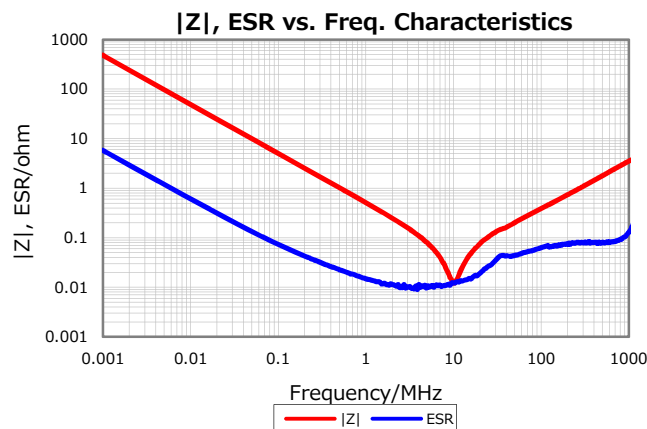
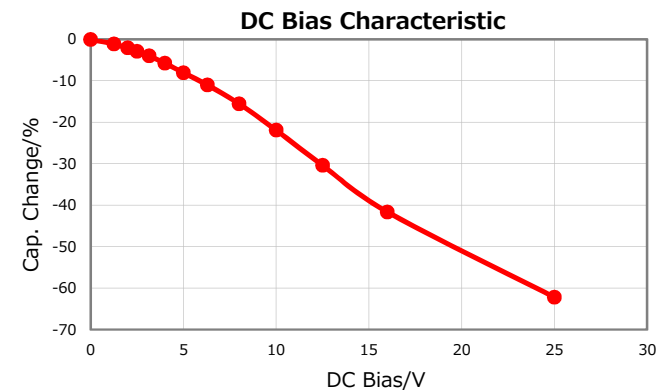
5 % max.

## Insulation Resistance

1515 Mohm min.

## AEC-Q200

Yes



Characterization Sheet ( Multilayer Ceramic Chip Capacitors )



All specifications are subject to change without notice.

January 10, 2020