

CGA3E3X7T0G106M080AB

TDK item description : CGA3E3X7T0G106MT****



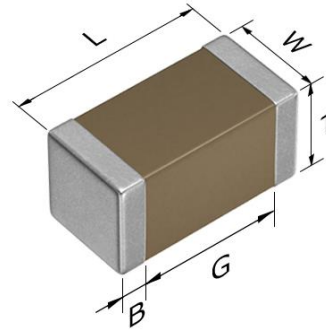
Equivalent C1608X7T0G106M for Automotive

Application & Main Feature

Automotive grade (General type)

Series

CGA3(1608) [EIA 0603]



Dimensions

L	1.60+0.30,-0.10 mm
W	0.80+0.30,-0.10 mm
T	0.80+0.30,-0.10 mm
B	0.20 mm min.
G	0.30 mm min.

Temperature Characteristic

X7T (-55 to +125 degC, +22/-33%)

Rated Voltage

0G (4Vdc)

Capacitance

10 μ F

Capacitance Tolerance

M (\pm 20%)

DF

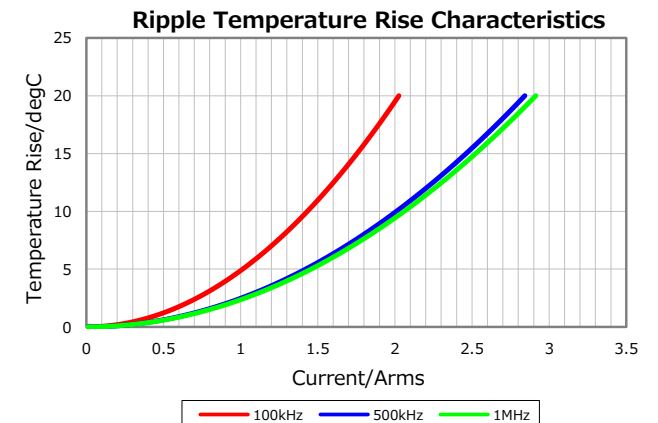
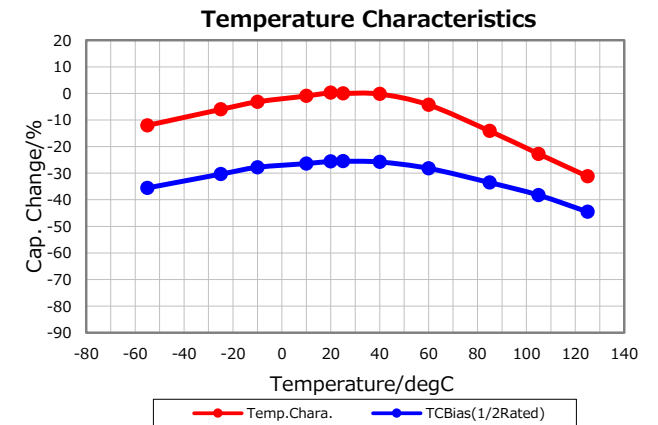
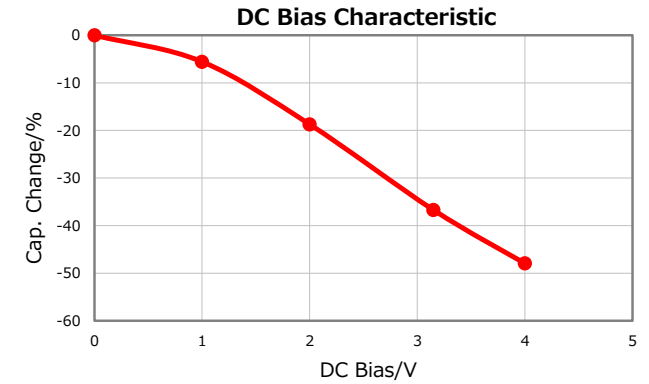
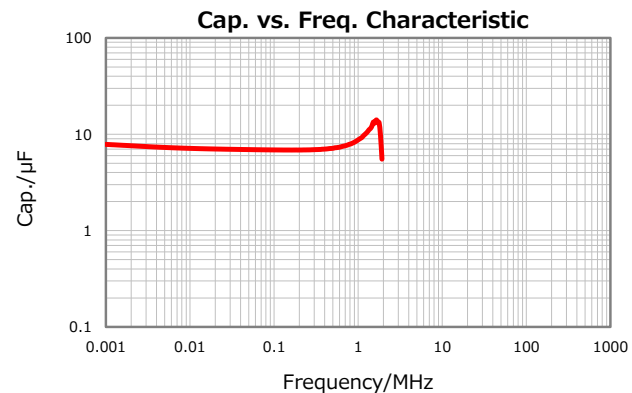
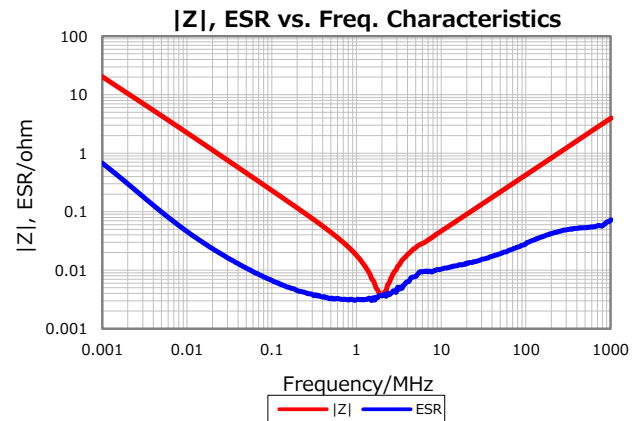
10 % max.

Insulation Resistance

10 Mohm min.

AEC-Q200

Yes



Characterization Sheet (Multilayer Ceramic Chip Capacitors)



All specifications are subject to change without notice.

September 7, 2021