

# CGA3EAC0G2A472J080AC

TDK Item Description : CGA3EAC0G2A472JT\*\*\*\*



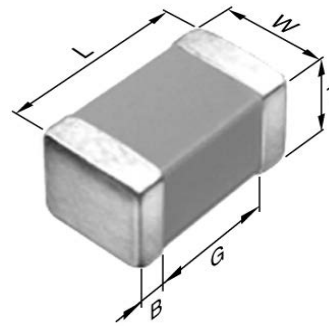
Equivalent C1608C0G2A472J for Automotive

## Application & Main Feature

Automotive Grade ( ESD Protection )

## Series

CGA3EA(1608) [EIA 0603]



## Dimensions

L	1.60mm ±0.10mm
W	0.80mm ±0.10mm
T	0.80mm ±0.10mm
B	0.20mm Min.
G	0.30mm Min.

## Temperature Characteristic

C0G (-55 to 125 degC 0+/-30ppm/degC)

## Rated Voltage

2A(100Vdc)

## Capacitance

4.7nF

## Capacitance Tolerance

J (±5%)

## Q Factor

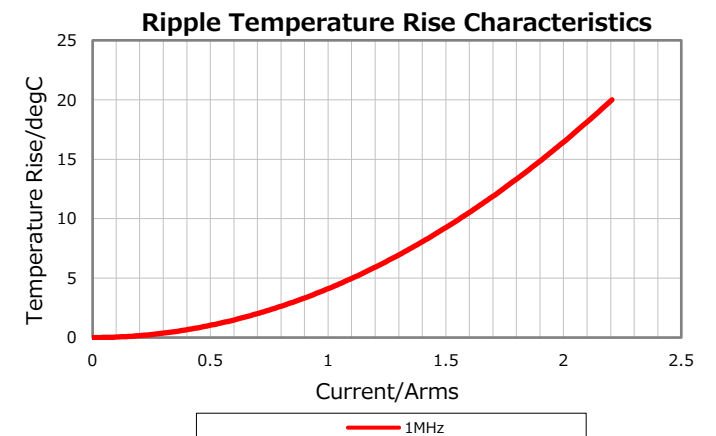
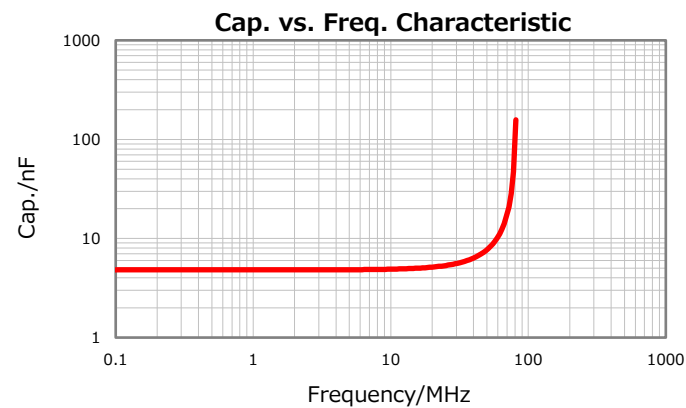
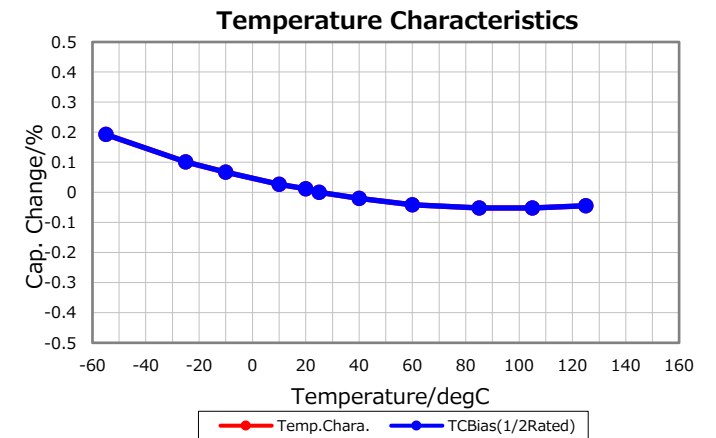
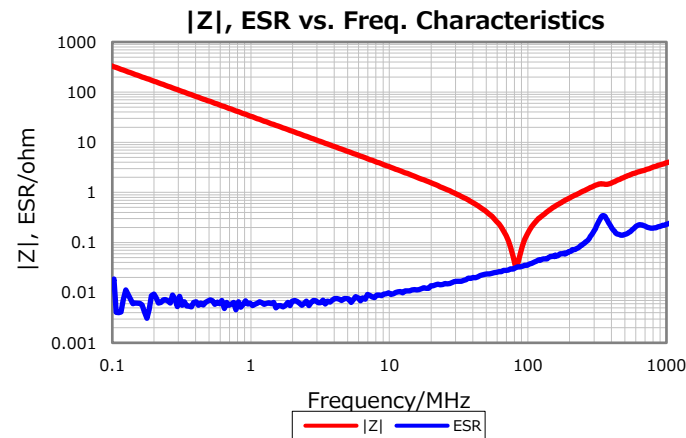
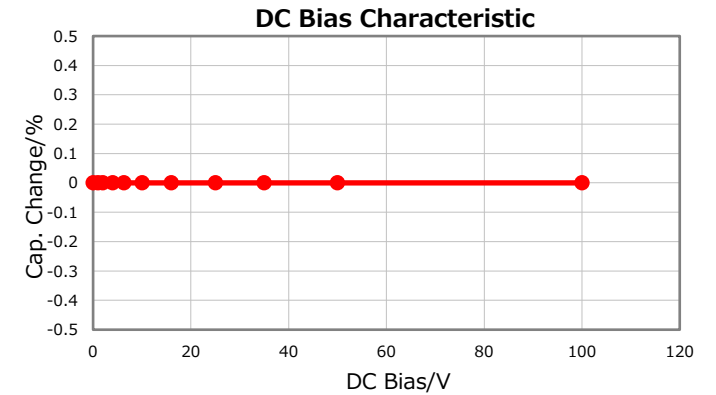
1000 Min.

## Insulation Resistance

10Gohm Min

## AEC-Q200

Yes



Characterization Sheet ( Multilayer Ceramic Chip Capacitors )



All specifications are subject to change without notice.

July 2, 2019