

# CGA4C4NP02W101J060AA

TDK Item Description : CGA4C4NP02W101JT\*\*\*\*



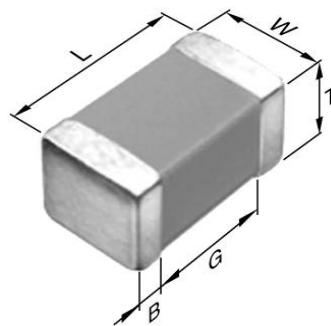
Equivalent C2012NP02W101J for Automotive

## Application & Main Feature

Automotive Grade ( High Temperature Application )

## Series

CGA4(2012) [EIA 0805]



## Dimensions

L	2.00mm ±0.20mm
W	1.25mm ±0.20mm
T	0.60mm ±0.15mm
B	0.20mm Min.
G	0.50mm Min.

## Temperature Characteristic

NP0 (-55 to 150 degC 0+/-30ppm/degC)

## Rated Voltage

2W(450Vdc)

## Capacitance

100pF

## Capacitance Tolerance

J (±5%)

## Q Factor

1000 Min.

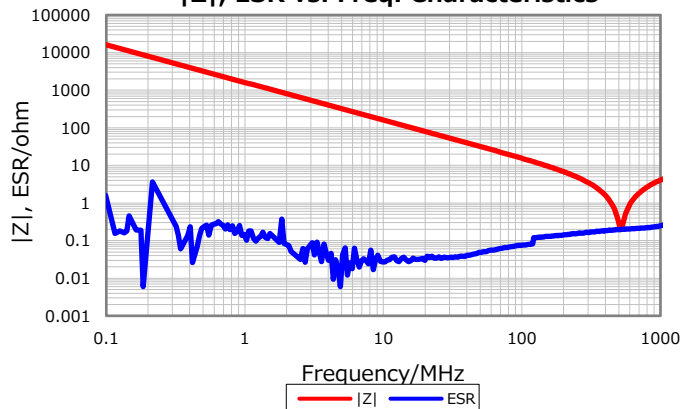
## Insulation Resistance

10Gohm Min

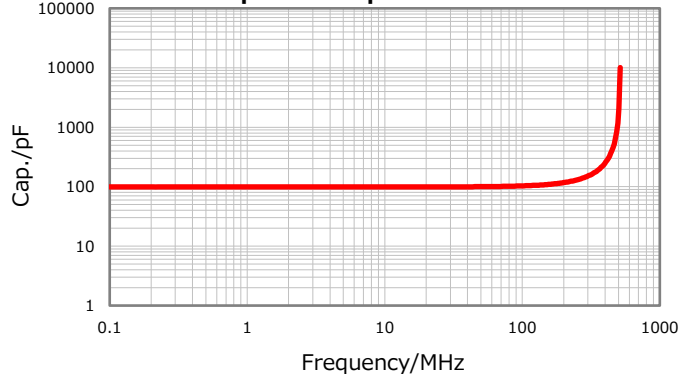
## AEC-Q200

Yes

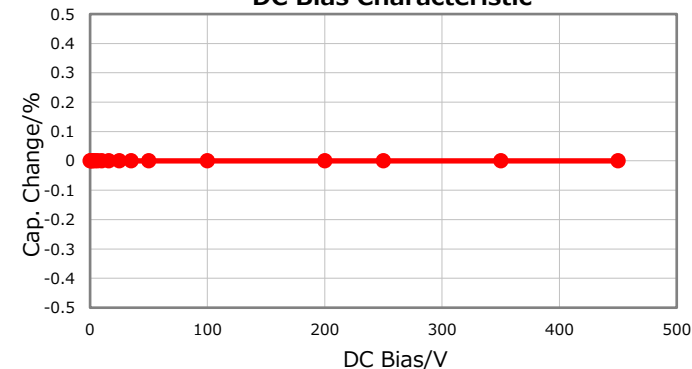
## |Z|, ESR vs. Freq. Characteristics



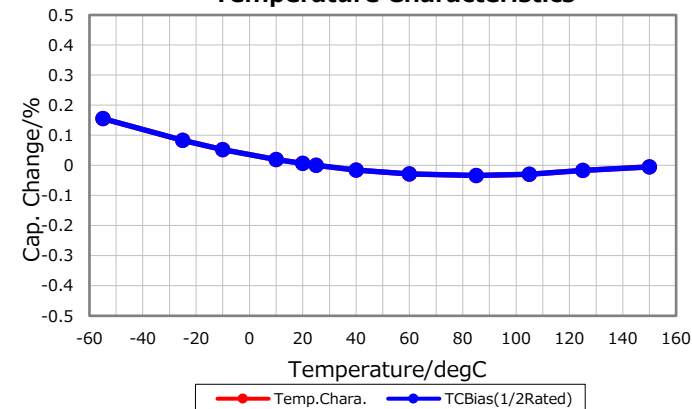
## Cap. vs. Freq. Characteristic



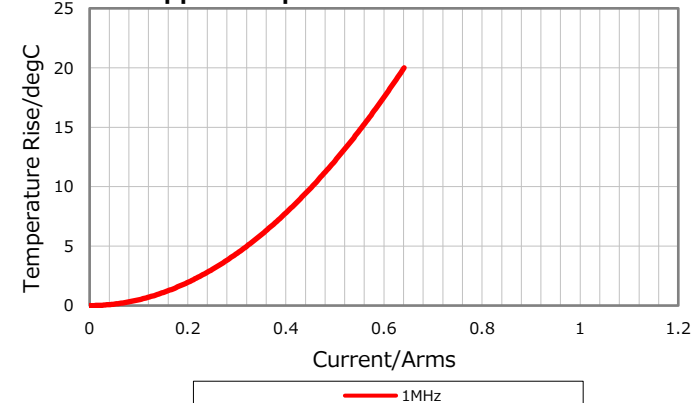
## DC Bias Characteristic



## Temperature Characteristics



## Ripple Temperature Rise Characteristics



Characterization Sheet ( Multilayer Ceramic Chip Capacitors )



All specifications are subject to change without notice.

July 2, 2019