

# CGA4J1X7R1E475M125AC

TDK item description : CGA4J1X7R1E475MT\*\*\*



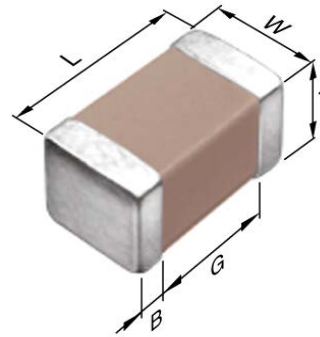
Equivalent C2012X7R1E475M for Automotive

## Application & Main Feature

Automotive grade (General type)

## Series

CGA4(2012) [EIA 0805]



## Dimensions

- L 2.00±0.20 mm
- W 1.25±0.20 mm
- T 1.25±0.20 mm
- B 0.20 mm min.
- G 0.50 mm min.

## Temperature Characteristic

X7R (-55 to +125 degC, ±15%)

## Rated Voltage

1E (25Vdc)

## Capacitance

4.7µF

## Capacitance Tolerance

M (±20%)

## Dissipation Factor

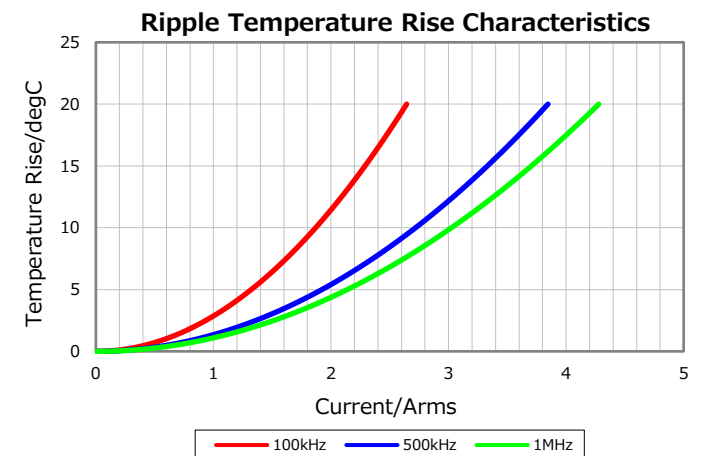
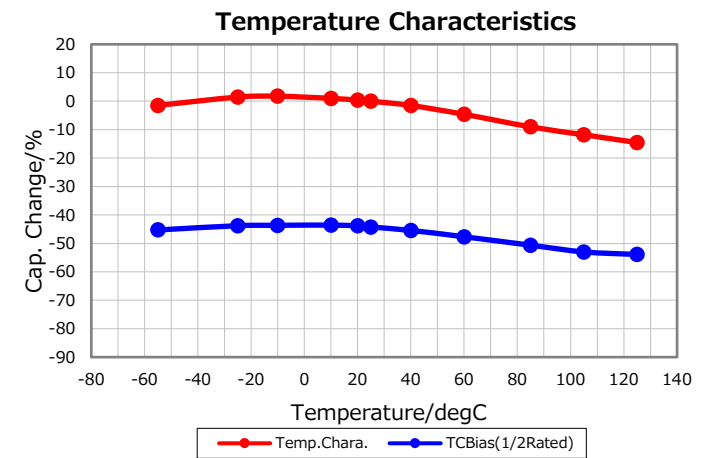
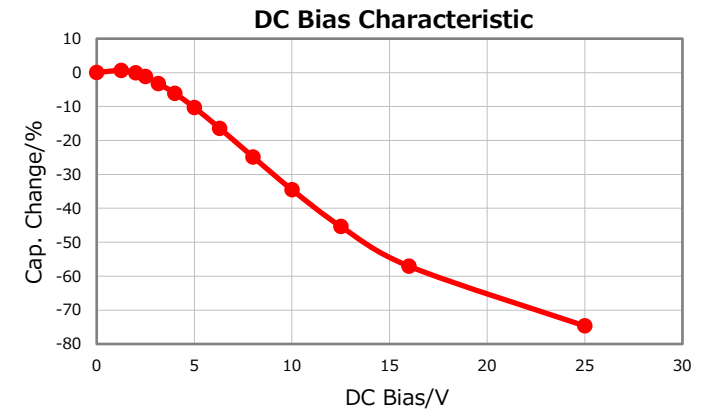
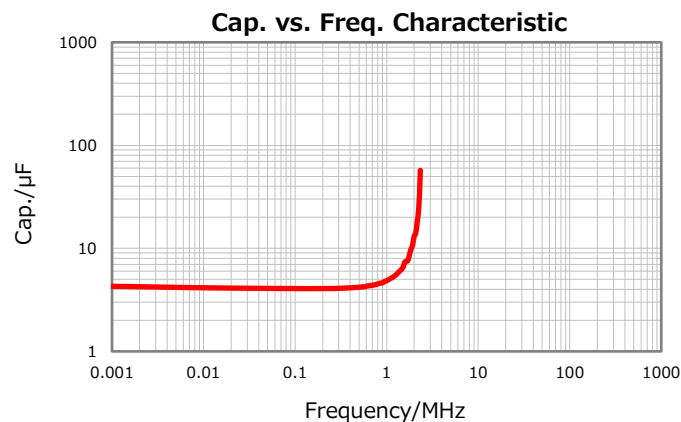
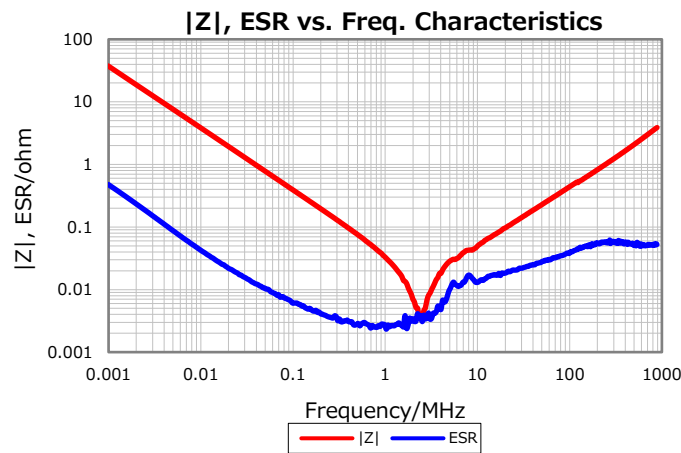
7.5 % max.

## Insulation Resistance

106 Mohm min.

## AEC-Q200

Yes



Characterization Sheet (Multilayer Ceramic Chip Capacitors)



All specifications are subject to change without notice.

February 10, 2020