

CGA4J1X7S1C106M125AC

TDK item description : CGA4J1X7S1C106MT****



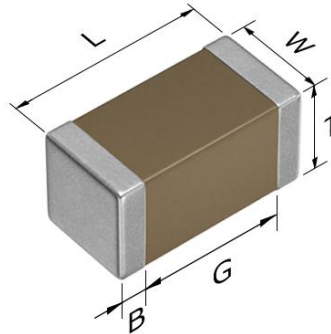
Equivalent C2012X7S1C106M for Automotive

Application & Main Feature

Automotive grade (General type)

Series

CGA4(2012) [EIA 0805]



Dimensions

L 2.00±0.20 mm
 W 1.25±0.20 mm
 T 1.25±0.20 mm
 B 0.20 mm min.
 G 0.50 mm min.

Temperature Characteristic

X7S (-55 to +125 degC, ±22%)

Rated Voltage

1C (16Vdc)

Capacitance

10µF

Capacitance Tolerance

M (±20%)

DF

7.5 % max.

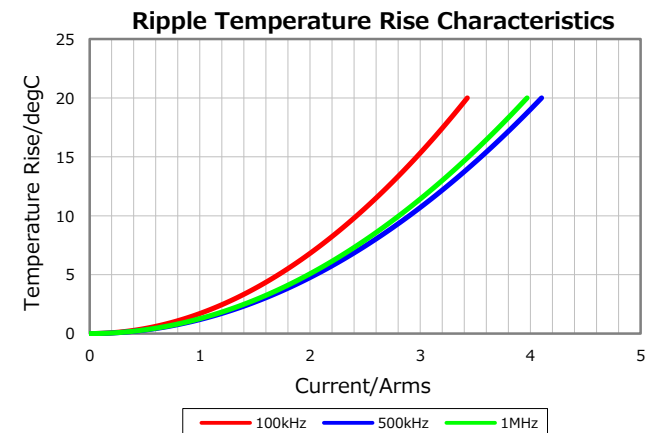
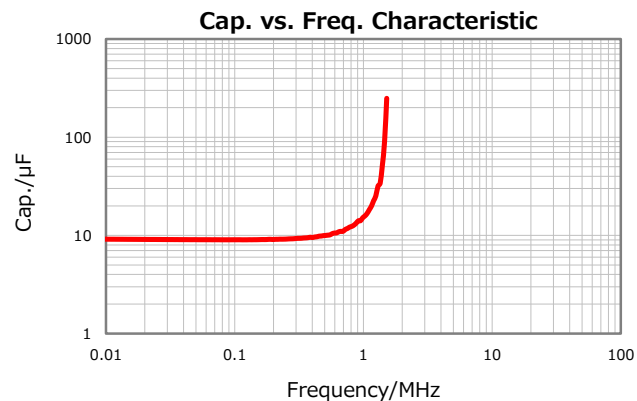
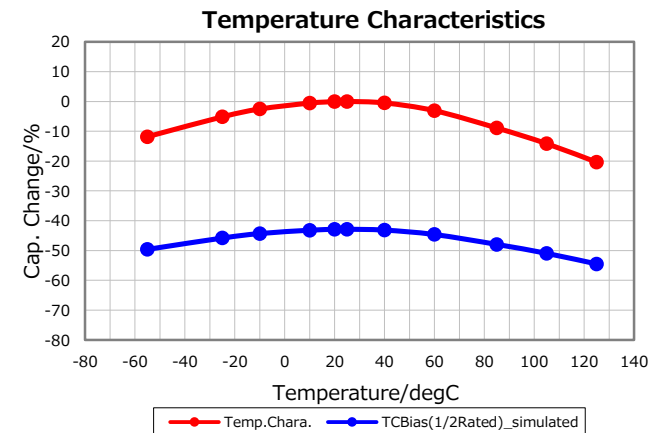
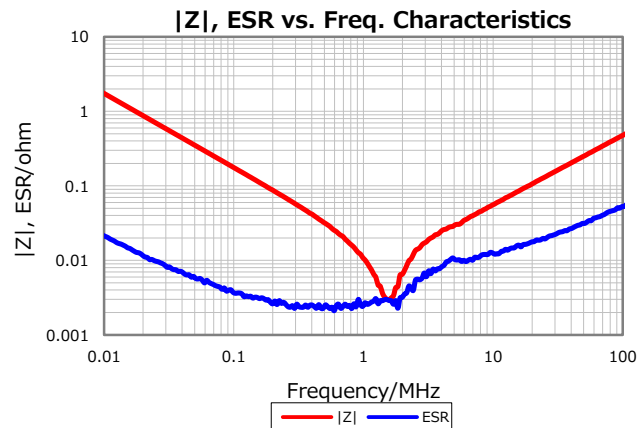
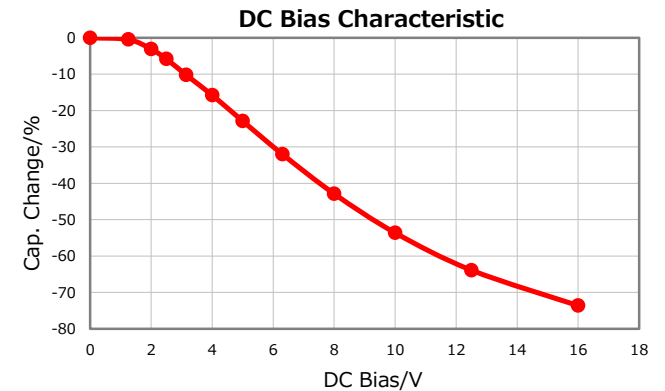
Insulation Resistance

10 Mohm min.

AEC-Q200

Yes

Characterization Sheet (Multilayer Ceramic Chip Capacitors)



⚠ All specifications are subject to change without notice.

January 16, 2021