

CGA4J1X8L1A106K125AE

TDK item description : CGA4J1X8L1A106KT***S



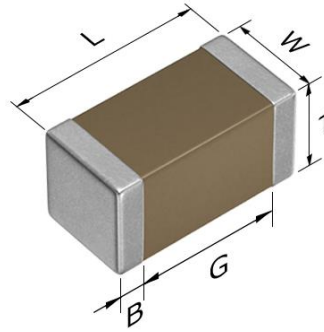
Equivalent C2012X8L1A106K for Automotive

Application & Main Feature

Automotive grade (Soft termination)

Series

CGA4(2012) [EIA 0805]



Dimensions

L	2.00+0.45,-0.20 mm
W	1.25+0.25,-0.20 mm
T	1.25+0.25,-0.20 mm
B	0.20 mm min.
G	0.50 mm min.

Temperature Characteristic

X8L (-55 to +150 degC, +15/-40%)

Rated Voltage

1A (10Vdc)

Capacitance

10 μ F

Capacitance Tolerance

K (\pm 10%)

DF

7.5 % max.

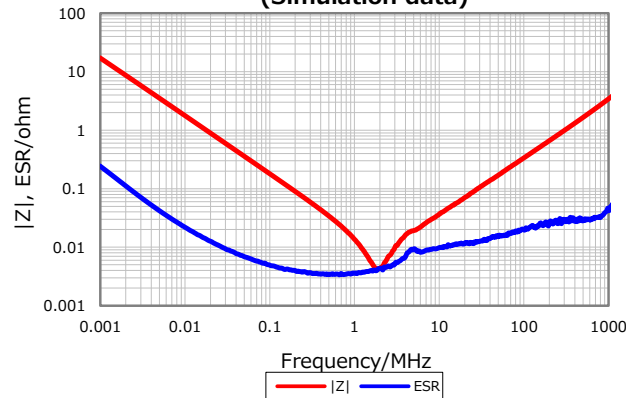
Insulation Resistance

10 Mohm min.

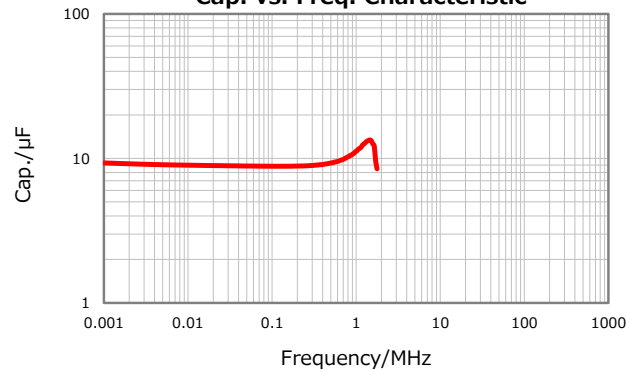
AEC-Q200

Yes

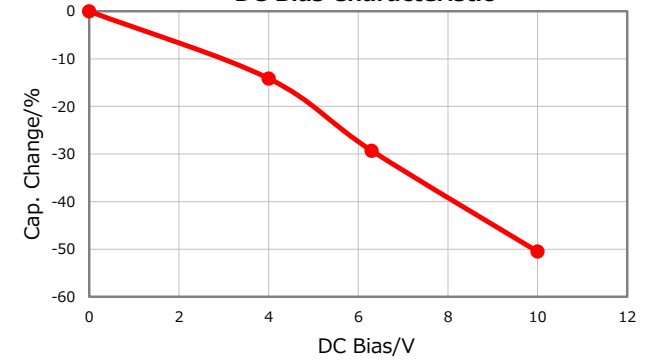
|Z|, ESR vs. Freq. Characteristics (Simulation data)



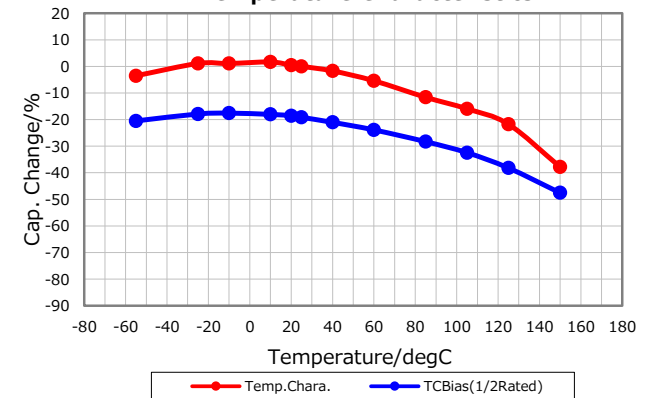
Cap. vs. Freq. Characteristic



DC Bias Characteristic



Temperature Characteristics



Ripple Temperature Rise Characteristics

