

CGA4J1X8L1V225K125AE

TDK item description : CGA4J1X8L1V225KT***S



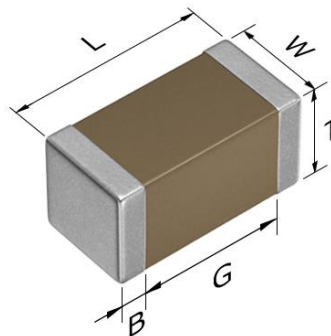
Equivalent C2012X8L1V225K for Automotive

Application & Main Feature

Automotive grade (Soft termination)

Series

CGA4(2012) [EIA 0805]



Dimensions

L 2.00+0.45,-0.20 mm
 W 1.25+0.25,-0.20 mm
 T 1.25+0.25,-0.20 mm
 B 0.20 mm min.
 G 0.50 mm min.

Temperature Characteristic

X8L (-55 to +150 degC, +15/-40%)

Rated Voltage

1V (35Vdc)

Capacitance

2.2 μ F

Capacitance Tolerance

K (\pm 10%)

DF

5 % max.

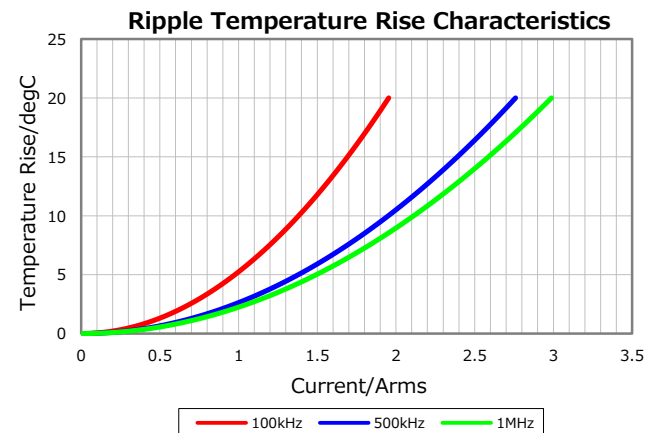
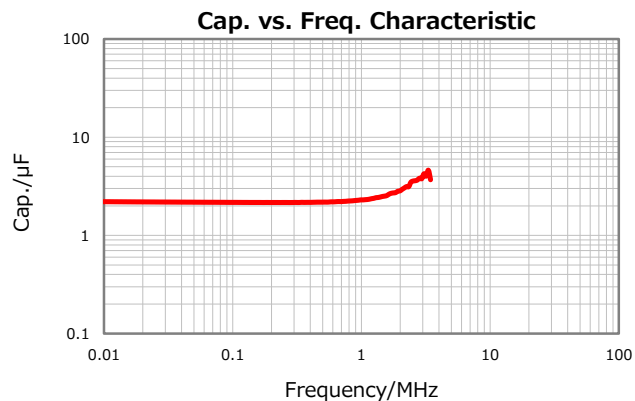
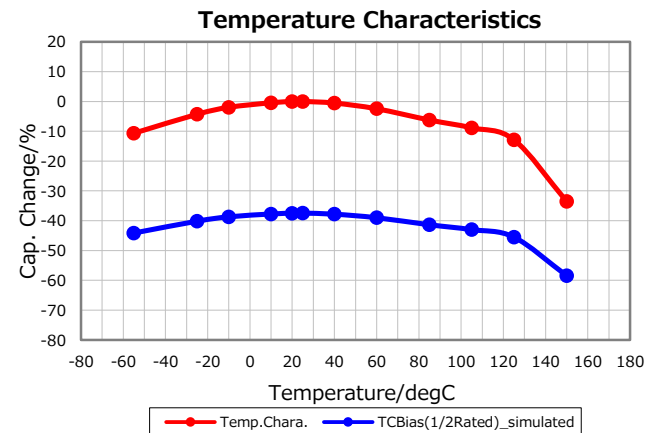
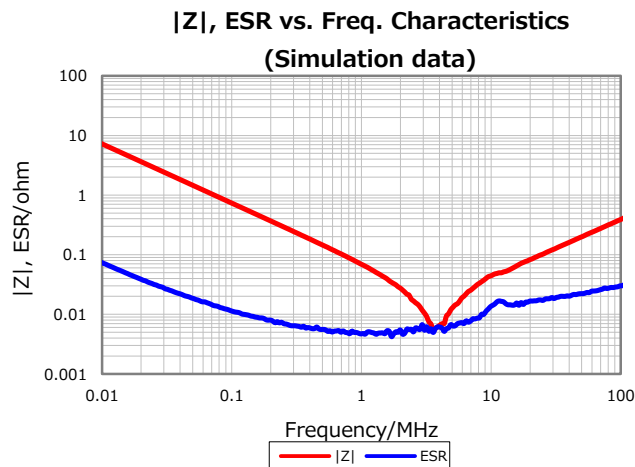
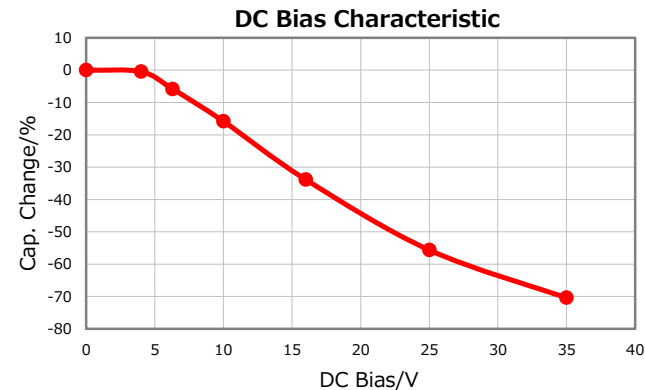
Insulation Resistance

227 Mohm min.

AEC-Q200

Yes

Characterization Sheet (Multilayer Ceramic Chip Capacitors)



⚠ All specifications are subject to change without notice.

January 18, 2021