

# CGA4J3X8L1E225K125AB

TDK item description : CGA4J3X8L1E225KT\*\*\*\*



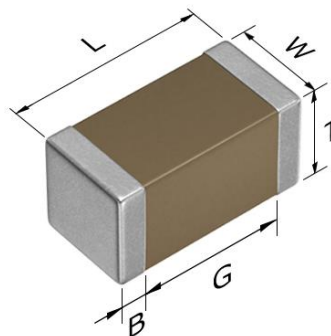
Equivalent C2012X8L1E225K for Automotive

## Application & Main Feature

Automotive grade (General type)

## Series

CGA4(2012) [EIA 0805]



## Dimensions

L 2.00±0.20 mm  
 W 1.25±0.20 mm  
 T 1.25±0.20 mm  
 B 0.20 mm min.  
 G 0.50 mm min.

## Temperature Characteristic

X8L (-55 to +150 degC, +15/-40%)

## Rated Voltage

1E (25Vdc)

## Capacitance

2.2µF

## Capacitance Tolerance

K (±10%)

## DF

5 % max.

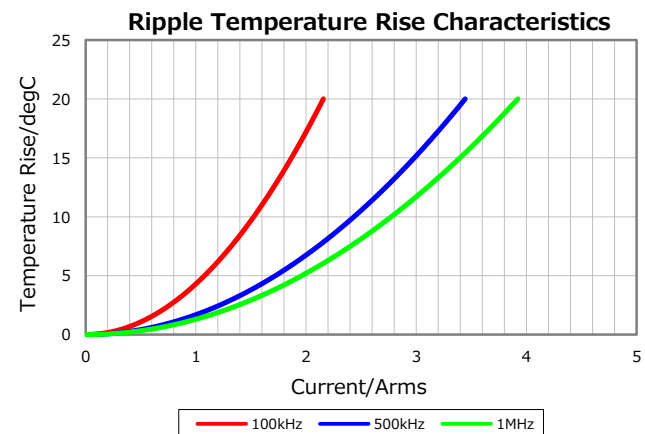
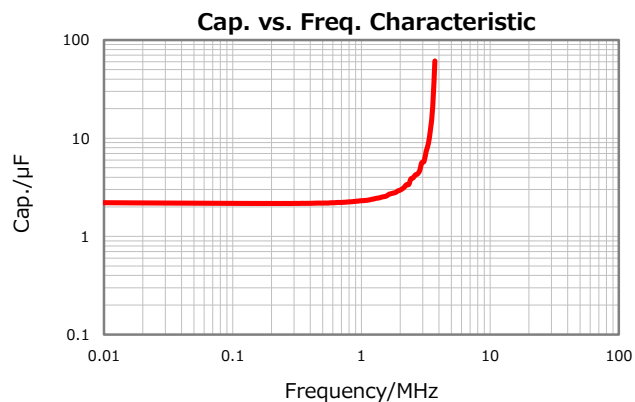
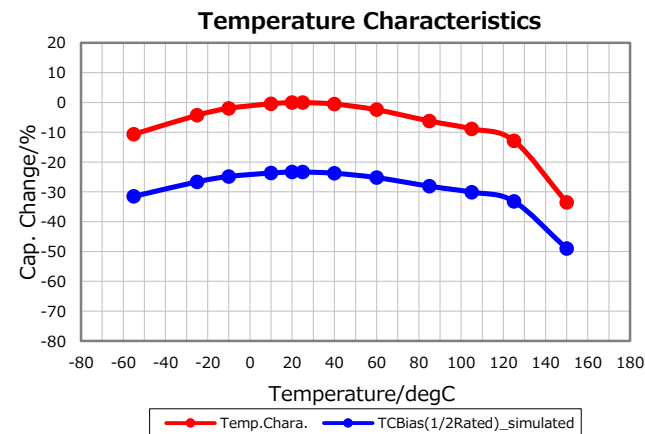
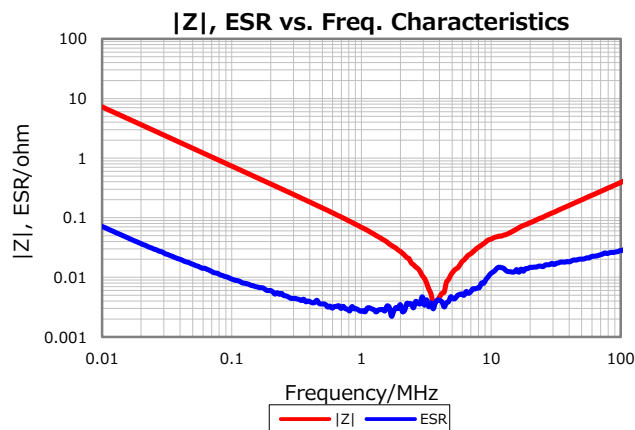
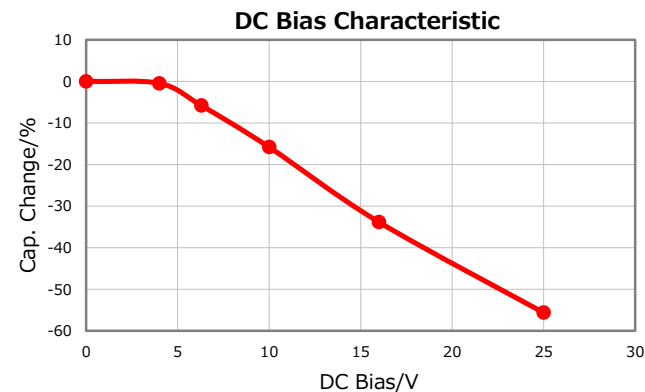
## Insulation Resistance

227 Mohm min.

## AEC-Q200

Yes

Characterization Sheet ( Multilayer Ceramic Chip Capacitors)



⚠ All specifications are subject to change without notice.

January 18, 2021