

# CGA5H4X7R2J472K115AE

TDK Item Description : CGA5H4X7R2J472KT\*\*\*S



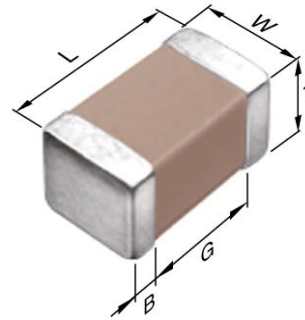
Equivalent C3216X7R2J472K for Automotive

## Application & Main Feature

Automotive Grade ( Soft Termination )

## Series

CGA5(3216) [EIA CC1206]



## Dimensions

L	3.20mm +0.4,-0.2mm
W	1.60mm +0.3,-0.2mm
T	1.15mm +/-0.15mm
B	0.20mm Min.
G	1.00mm Min.

## Temperature Characteristic

X7R (-55 to 125 degC +/-15%)

## Rated Voltage

2J (630Vdc)

## Capacitance

4.7nF

## Capacitance Tolerance

K (+/-10%)

## Dissipation Factor

3% Max.

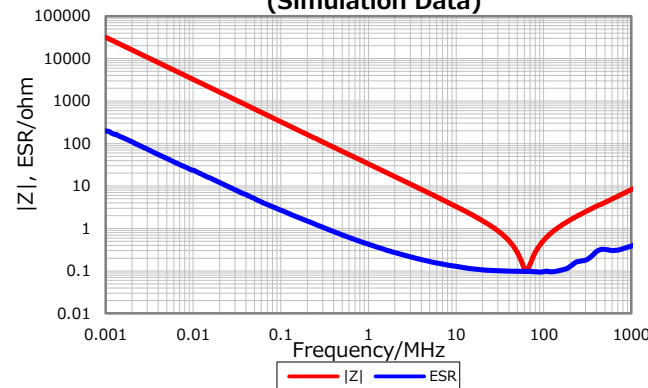
## Insulation Resistance

10Gohm Min

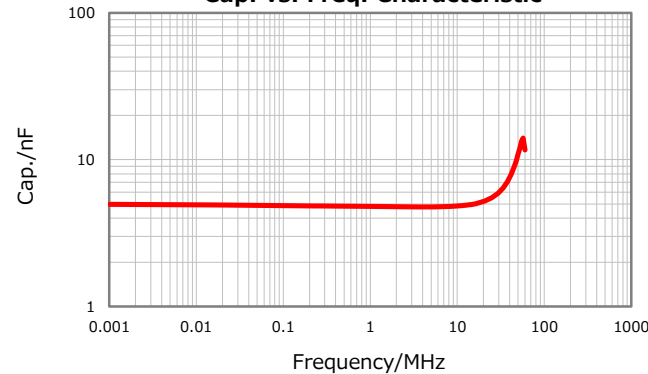
## AEC-Q200

Yes

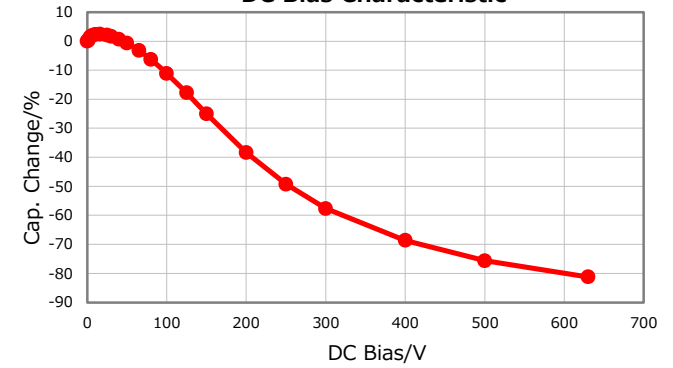
**|Z|, ESR vs. Freq. Characteristics (Simulation Data)**



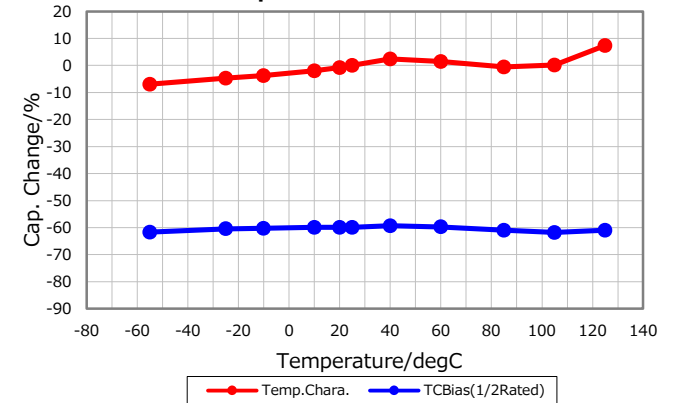
**Cap. vs. Freq. Characteristic**



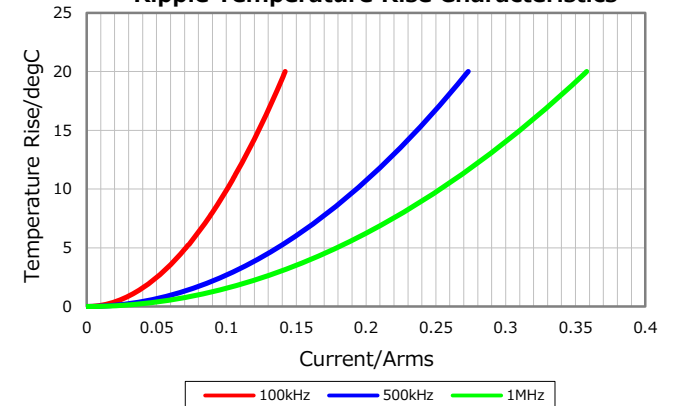
**DC Bias Characteristic**



**Temperature Characteristics**



**Ripple Temperature Rise Characteristics**



Characterization Sheet ( Multilayer Ceramic Chip Capacitors )



All specifications are subject to change without notice.

June 8, 2023