

CGA5L1X7R0J226M160AE

TDK Item Description : CGA5L1X7R0J226MT***S



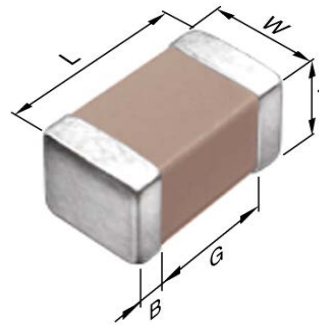
Equivalent C3216X7R0J226M for Automotive

Application & Main Feature

Automotive Grade (Soft Termination)

Series

CGA5(3216) [EIA CC1206]



Dimensions

L	3.20mm +0.4,-0.2mm
W	1.60mm +0.3,-0.2mm
T	1.60mm +0.3,-0.2mm
B	0.20mm Min.
G	1.00mm Min.

Temperature Characteristic

X7R (-55 to 125 degC +/-15%)

Rated Voltage

0J (6.3Vdc)

Capacitance

22uF

Capacitance Tolerance

M (+/-20%)

Dissipation Factor

10% Max.

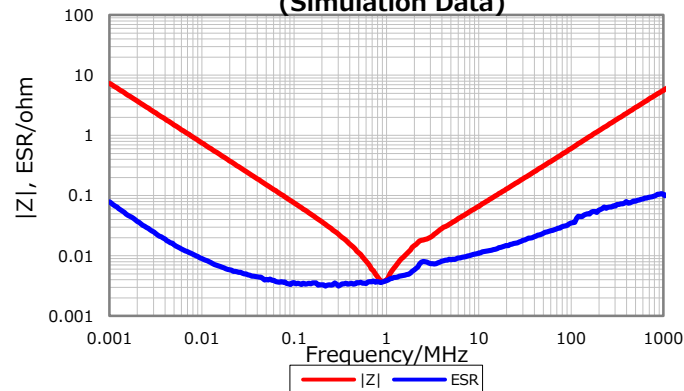
Insulation Resistance

4Mohm Min.

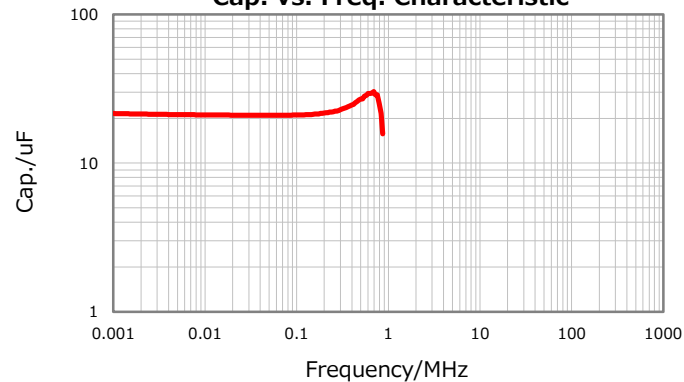
AEC-Q200

Yes

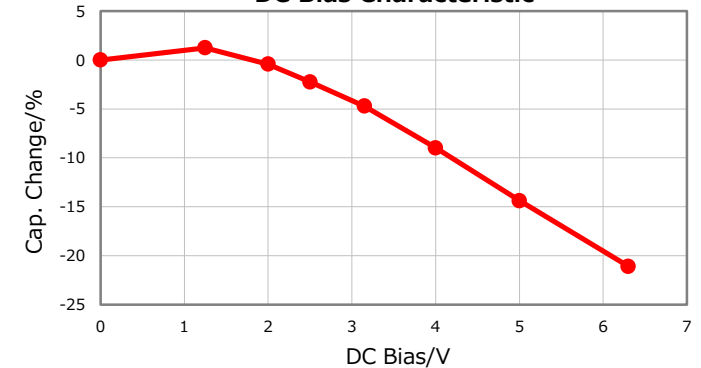
|Z|, ESR vs. Freq. Characteristics (Simulation Data)



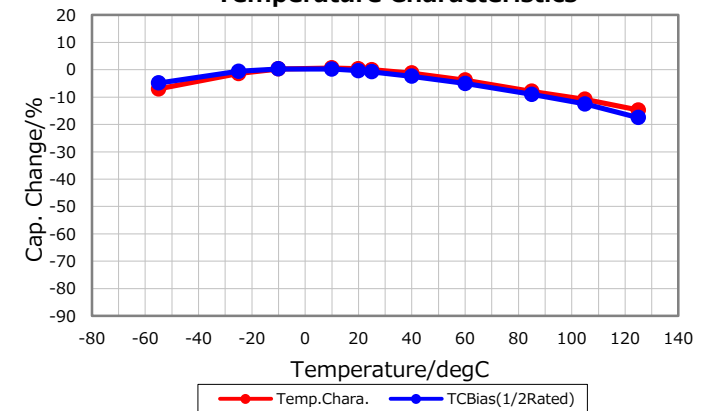
Cap. vs. Freq. Characteristic



DC Bias Characteristic



Temperature Characteristics



Ripple Temperature Rise Characteristics

