

CGA5L1X7R1E106M160AC

TDK item description : CGA5L1X7R1E106MT****



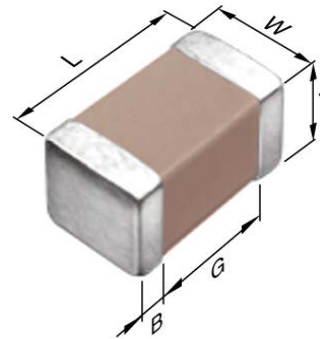
Equivalent C3216X7R1E106M for Automotive

Application & Main Feature

Automotive grade (General type)

Series

CGA5(3216) [EIA 1206]



Dimensions

- L 3.20+0.30/-0.10 mm
- W 1.60+0.30/-0.10 mm
- T 1.60+0.30/-0.10 mm
- B 0.20 mm min.
- G 1.00 mm min.

Temperature Characteristic

X7R (-55 to +125 degC, ±15%)

Rated Voltage

1E (25Vdc)

Capacitance

10µF

Capacitance Tolerance

M (±20%)

Dissipation Factor

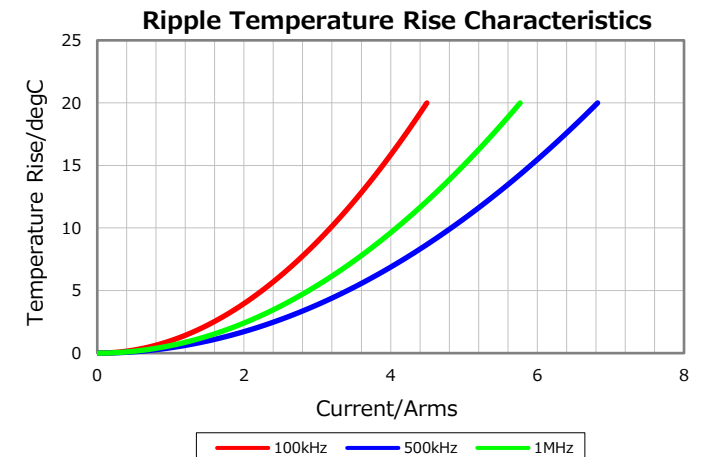
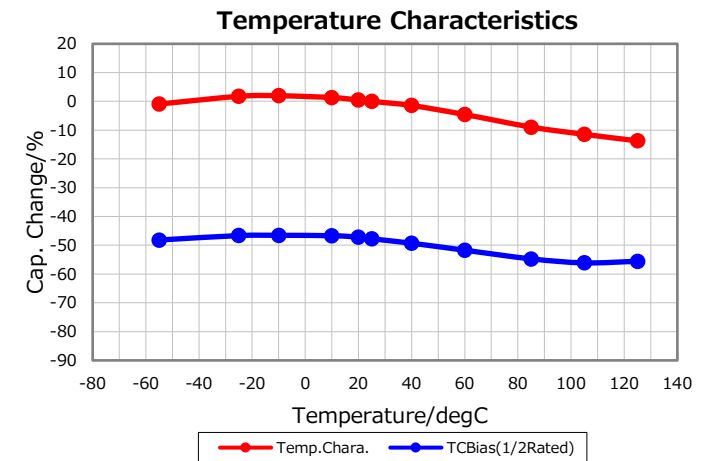
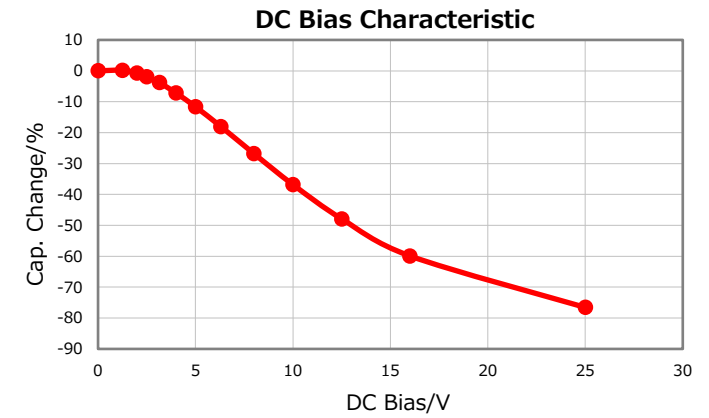
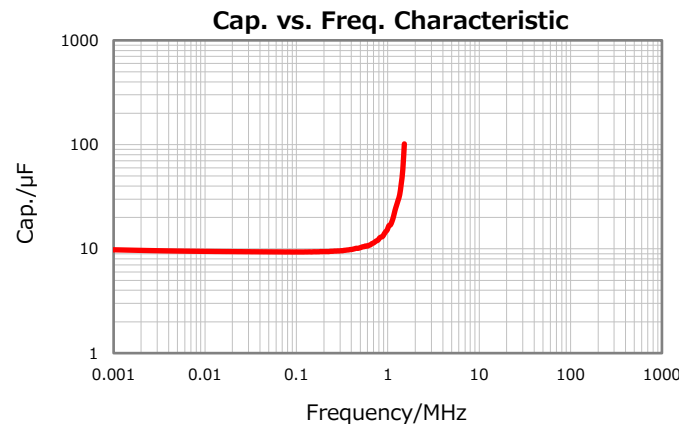
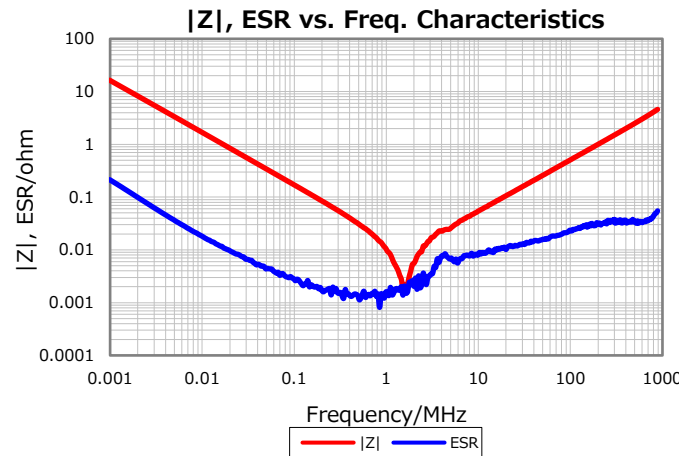
7.5 % max.

Insulation Resistance

50 Mohm min.

AEC-Q200

Yes



Characterization Sheet (Multilayer Ceramic Chip Capacitors)



All specifications are subject to change without notice.

January 22, 2020