

CGA5L1X7R1E106M160AE

TDK item description : CGA5L1X7R1E106MT***S



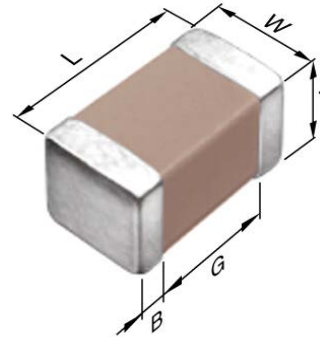
Equivalent C3216X7R1E106M for Automotive

Application & Main Feature

Automotive grade (Soft termination)

Series

CGA5(3216) [EIA 1206]



Dimensions

L	3.20+0.40/-0.20 mm
W	1.60+0.30/-0.20 mm
T	1.60+0.30/-0.20 mm
B	0.20 mm min.
G	1.00 mm min.

Temperature Characteristic

X7R (-55 to +125 degC, ±15%)

Rated Voltage

1E (25Vdc)

Capacitance

10µF

Capacitance Tolerance

M (±20%)

Dissipation Factor

7.5 % max.

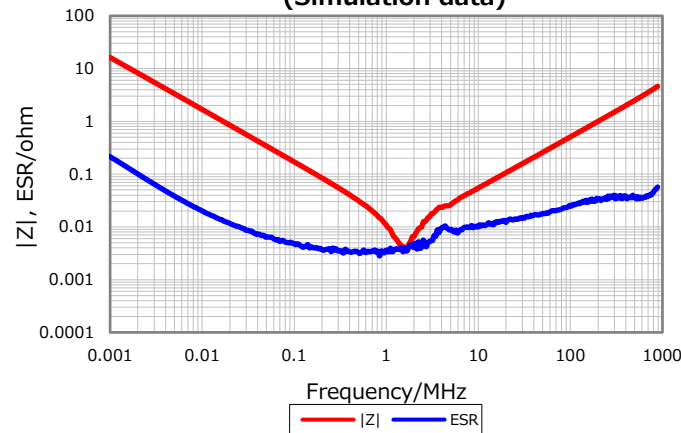
Insulation Resistance

50 Mohm min.

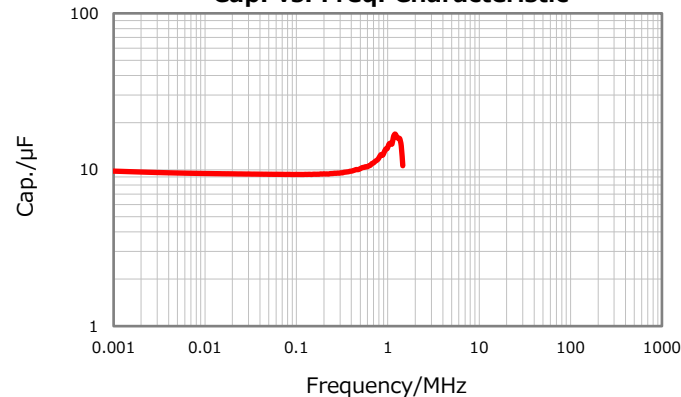
AEC-Q200

Yes

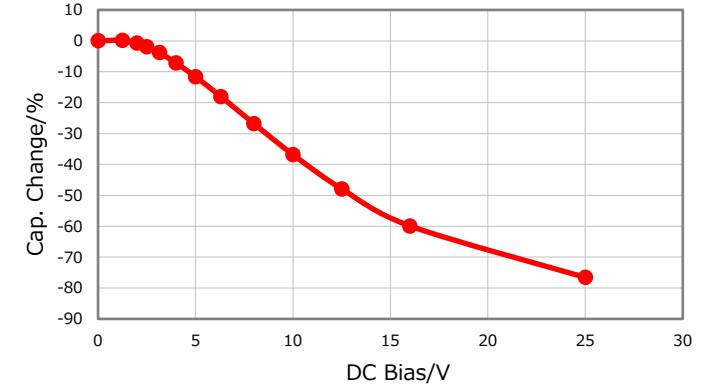
**|Z|, ESR vs. Freq. Characteristics
(Simulation data)**



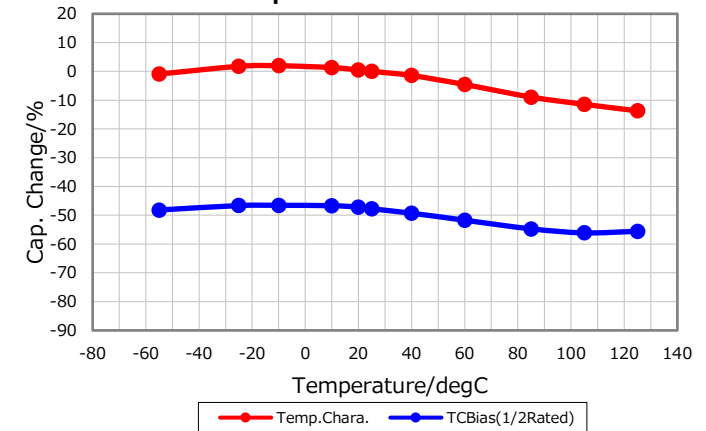
Cap. vs. Freq. Characteristic



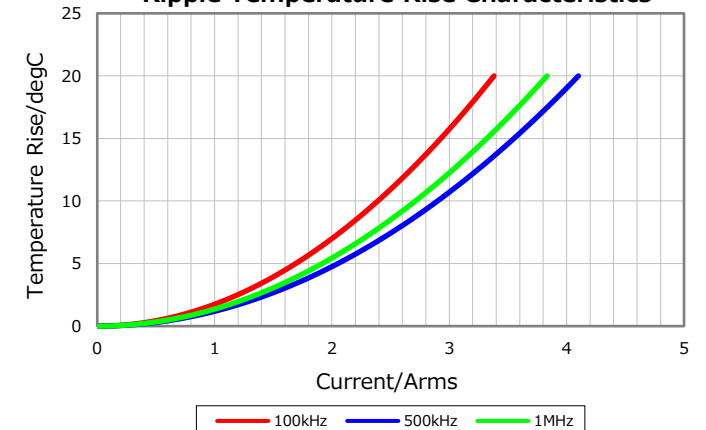
DC Bias Characteristic



Temperature Characteristics



Ripple Temperature Rise Characteristics



Characterization Sheet (Multilayer Ceramic Chip Capacitors)



All specifications are subject to change without notice.

January 22, 2020