

CGA5L1X7R1V475K160AC

TDK item description : CGA5L1X7R1V475KT****



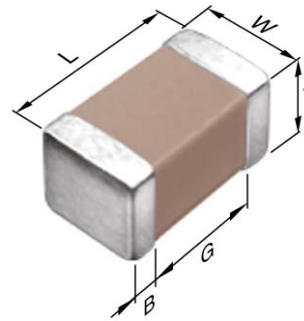
Equivalent C3216X7R1V475K for Automotive

Application & Main Feature

Automotive grade (General type)

Series

CGA5(3216) [EIA 1206]



Dimensions

L	3.20+0.30/-0.10 mm
W	1.60+0.30/-0.10 mm
T	1.60+0.30/-0.10 mm
B	0.20 mm min.
G	1.00 mm min.

Temperature Characteristic

X7R (-55 to +125 degC, ±15%)

Rated Voltage

1V (35Vdc)

Capacitance

4.7µF

Capacitance Tolerance

K (±10%)

Dissipation Factor

5 % max.

Insulation Resistance

106 Mohm min.

AEC-Q200

Yes

