

CGA5L1X7R2A475K160AC

TDK item description : CGA5L1X7R2A475KT****



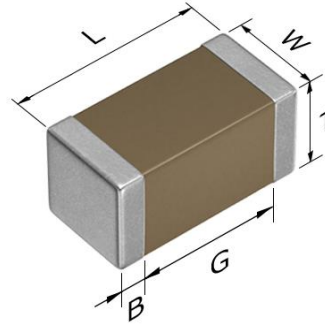
Equivalent C3216X7R2A475K for Automotive

Application & Main Feature

Automotive grade (General type)

Series

CGA5(3216) [EIA 1206]



Dimensions

L 3.20+0.30,-0.10 mm
 W 1.60+0.30,-0.10 mm
 T 1.60+0.30,-0.10 mm
 B 0.20 mm min.
 G 1.00 mm min.

Temperature Characteristic

X7R (-55 to +125 degC, ±15%)

Rated Voltage

2A (100Vdc)

Capacitance

4.7µF

Capacitance Tolerance

K (±10%)

DF

5 % max.

Insulation Resistance

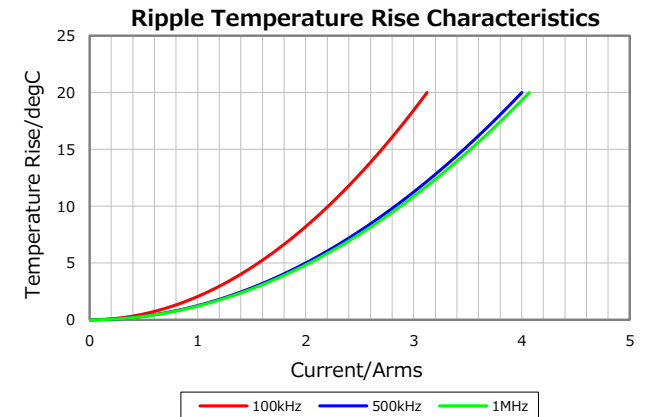
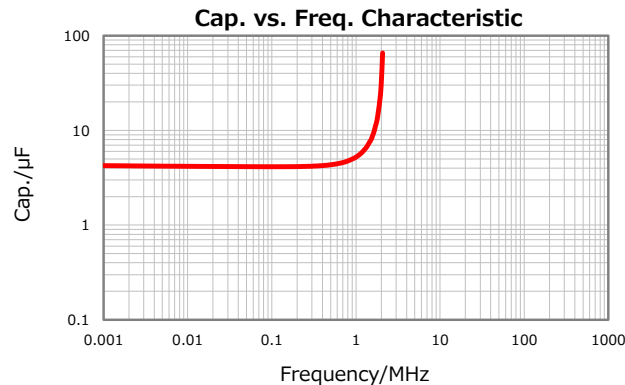
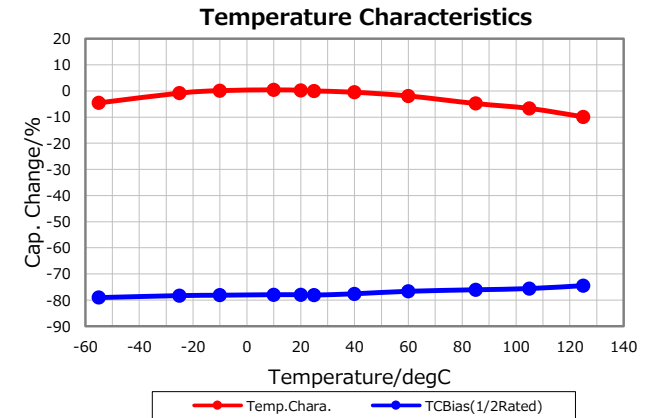
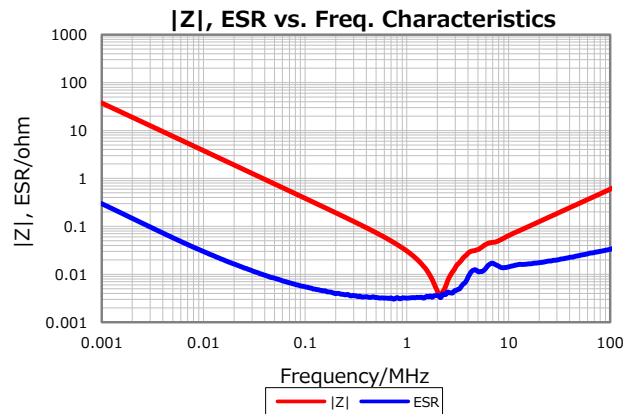
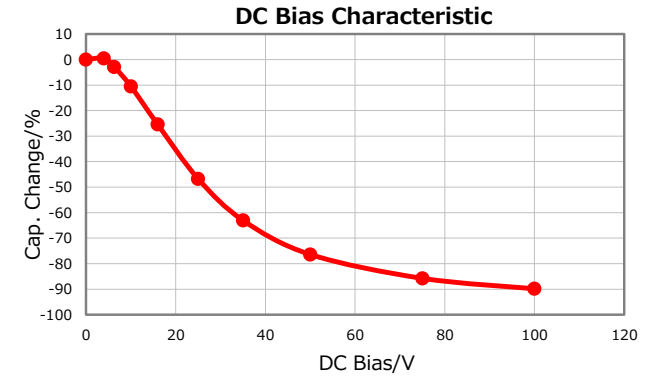
21 Mohm min.

Voltage Proof

Rated voltage (100Vdc) x 2

AEC-Q200

Yes



Characterization Sheet (Multilayer Ceramic Chip Capacitors)



All specifications are subject to change without notice.

April 24, 2023