

CGA5L1X7S1A156M160AC

TDK Item Description : CGA5L1X7S1A156MT****



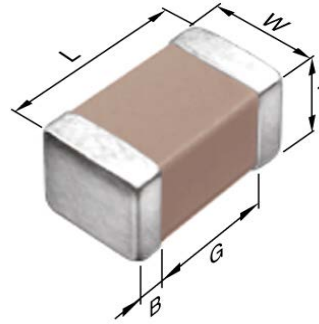
Equivalent C3216X7S1A156M for Automotive

Application & Main Feature

Automotive Grade(Up to 50V)

Series

CGA5(3216) [EIA 1206]



Dimensions

L	3.20mm +0.3,-0.1mm
W	1.60mm +0.3,-0.1mm
T	1.60mm +0.3,-0.1mm
B	0.20mm Min.
G	1.00mm Min.

Temperature Characteristic

X7S (-55 to 125 degC +/-22%)

Rated Voltage

1A(10Vdc)

Capacitance

15uF

Capacitance Tolerance

M ($\pm 20\%$)

Dissipation Factor

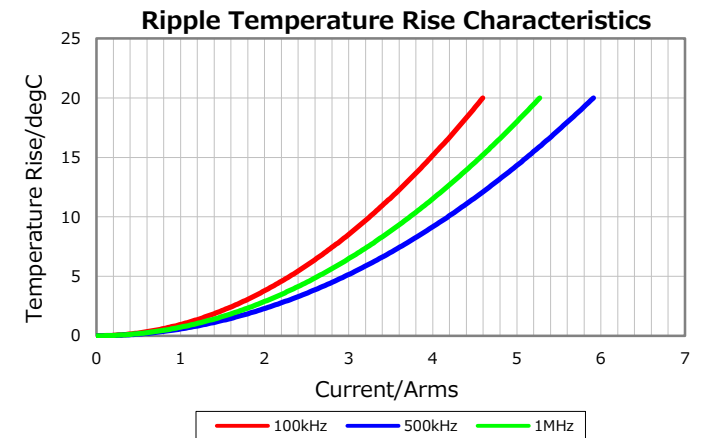
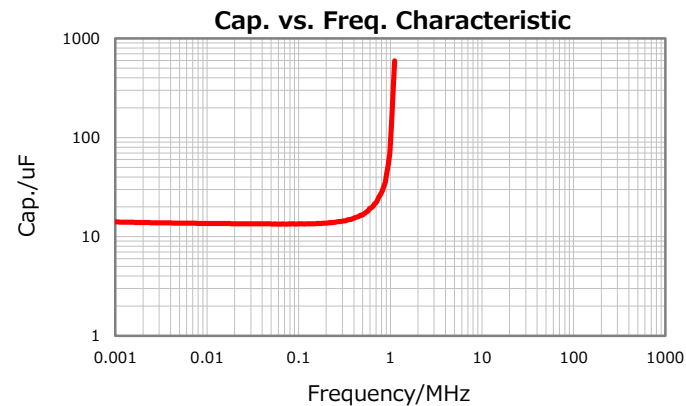
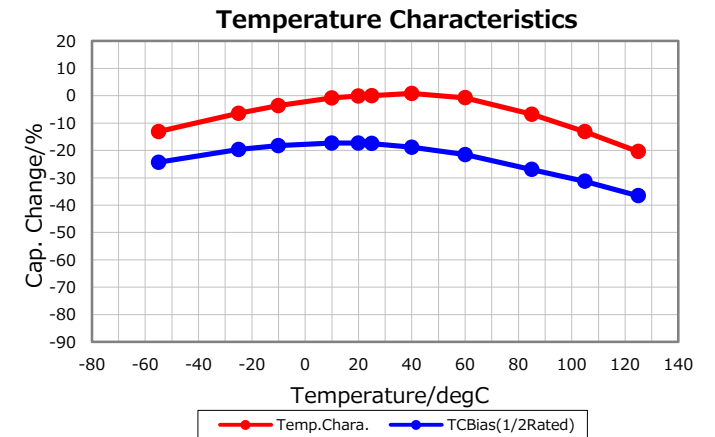
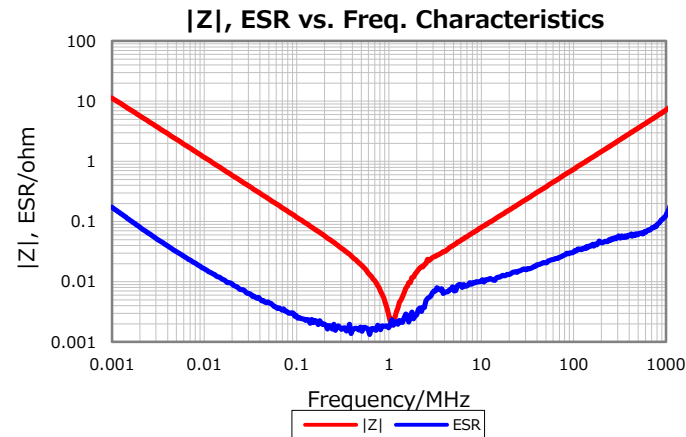
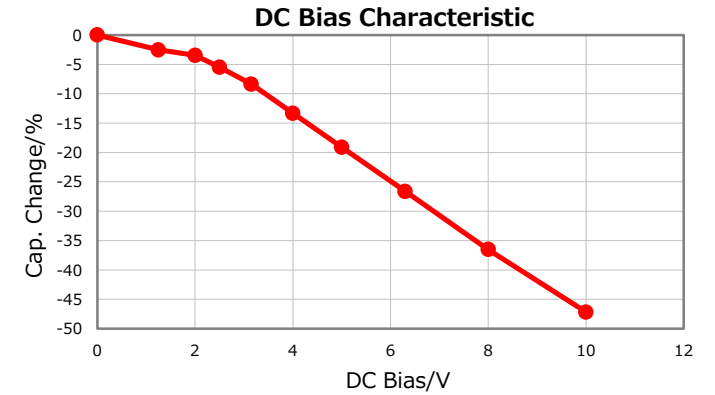
7.5% Max.

Insulation Resistance

6Mohm Min.

AEC-Q200

Yes



Characterization Sheet (Multilayer Ceramic Chip Capacitors)



All specifications are subject to change without notice.

October 24, 2018