

# CGA5L3X7R1H155K160AB

TDK item description : CGA5L3X7R1H155KT\*\*\*\*



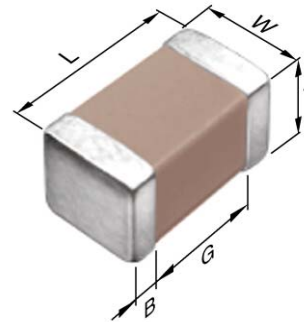
Equivalent C3216X7R1H155K for Automotive

## Application & Main Feature

Automotive grade (General type)

## Series

CGA5(3216) [EIA 1206]



## Dimensions

L 3.20+0.30/-0.10 mm  
 W 1.60+0.30/-0.10 mm  
 T 1.60+0.30/-0.10 mm  
 B 0.20 mm min.  
 G 1.00 mm min.

## Temperature Characteristic

X7R (-55 to +125 degC, ±15%)

## Rated Voltage

1H (50Vdc)

## Capacitance

1.5µF

## Capacitance Tolerance

K (±10%)

## Dissipation Factor

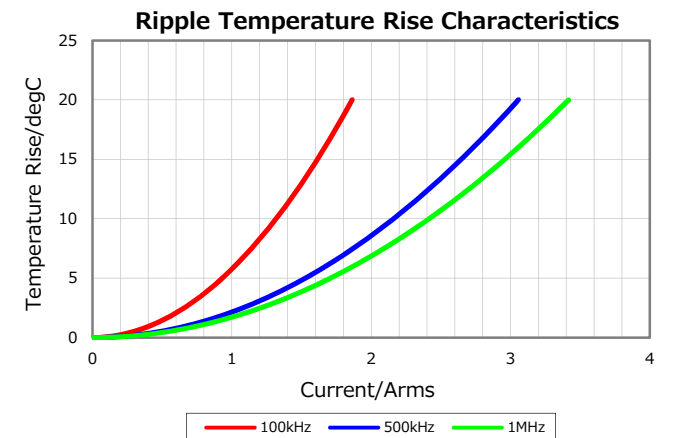
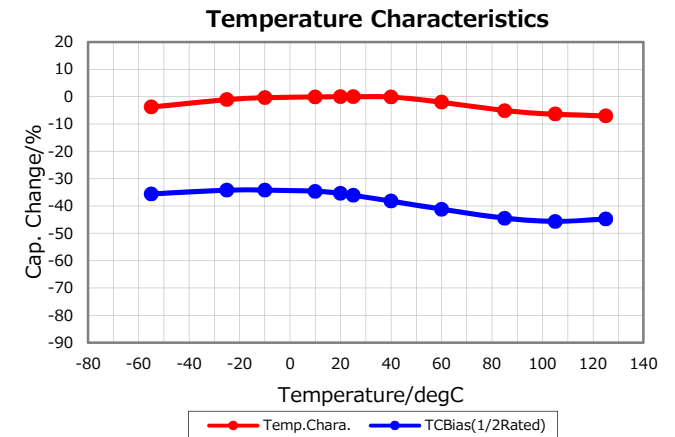
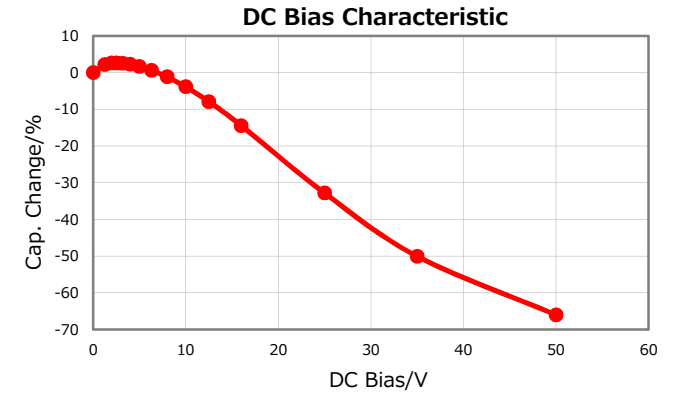
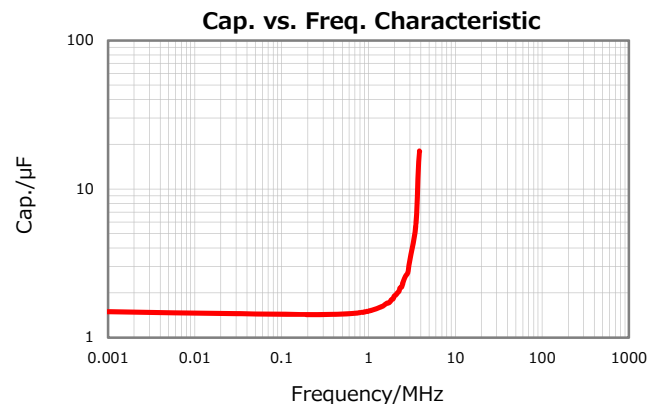
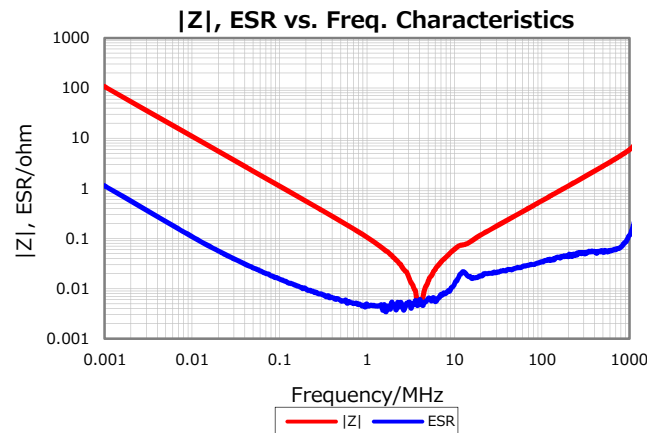
5 % max.

## Insulation Resistance

333 Mohm min.

## AEC-Q200

Yes



Characterization Sheet (Multilayer Ceramic Chip Capacitors)



⚠ All specifications are subject to change without notice.

January 15, 2020