

# CGA5L3X7R1H225M160AE

TDK item description : CGA5L3X7R1H225MT\*\*\*S



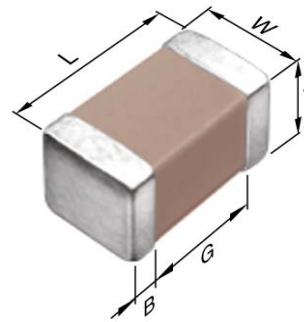
Equivalent C3216X7R1H225M for Automotive

## Application & Main Feature

Automotive grade (Soft termination)

## Series

CGA5(3216) [EIA 1206]



## Dimensions

L	3.20+0.40/-0.20 mm
W	1.60+0.30/-0.20 mm
T	1.60+0.30/-0.20 mm
B	0.20 mm min.
G	1.00 mm min.

## Temperature Characteristic

X7R (-55 to +125 degC, ±15%)

## Rated Voltage

1H (50Vdc)

## Capacitance

2.2µF

## Capacitance Tolerance

M (±20%)

## Dissipation Factor

5 % max.

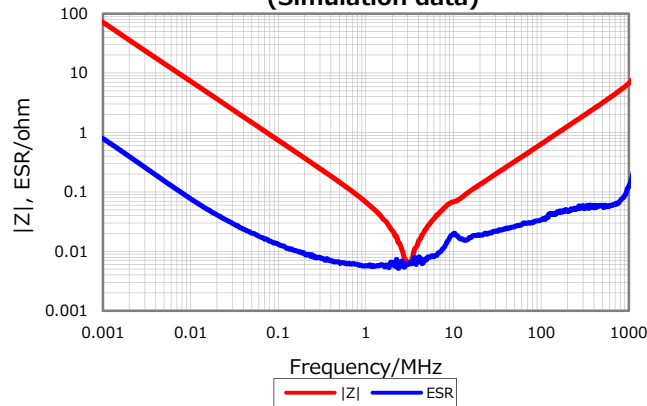
## Insulation Resistance

227 Mohm min.

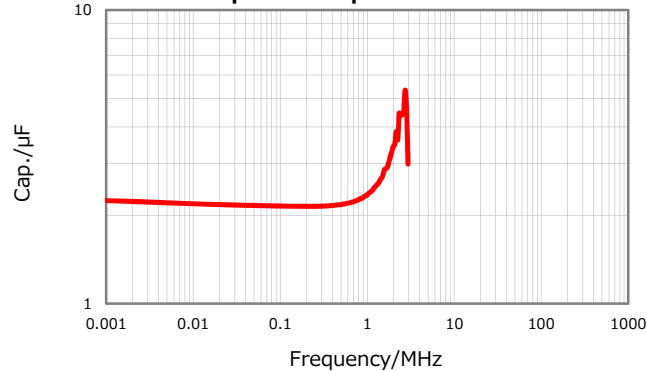
## AEC-Q200

Yes

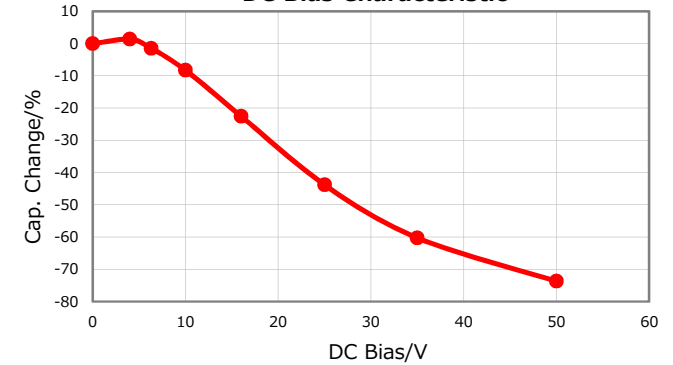
**|Z|, ESR vs. Freq. Characteristics  
(Simulation data)**



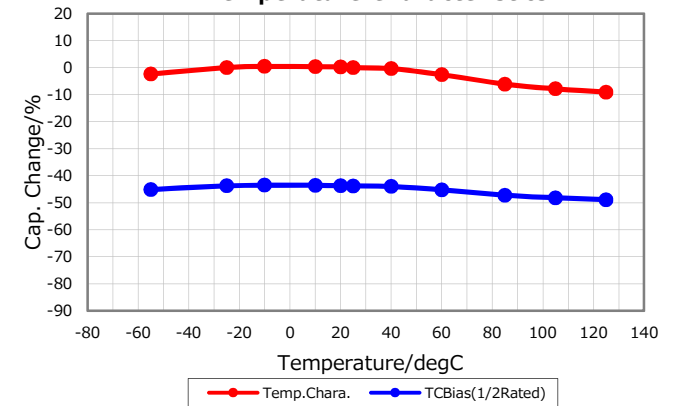
**Cap. vs. Freq. Characteristic**



**DC Bias Characteristic**



**Temperature Characteristics**



**Ripple Temperature Rise Characteristics**

