

CGA6P1X8L1C226M250AC

TDK Item Description : CGA6P1X8L1C226MT****



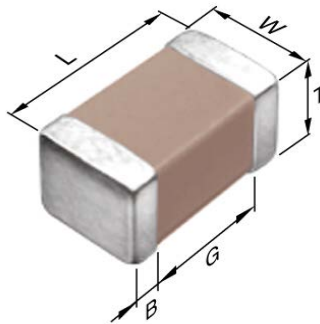
Equivalent C3225X8L1C226M for Automotive

Application & Main Feature

Automotive Grade (High Temperature Application)

Series

CGA6(3225) [EIA 1210]



Dimensions

L	3.20mm +/-0.4mm
W	2.50mm +/-0.3mm
T	2.50mm +/-0.3mm
B	0.20mm Min.
G	

Temperature Characteristic

X8L (-55 to 150 degC +15,-40%)

Rated Voltage

1C(16Vdc)

Capacitance

22uF

Capacitance Tolerance

M (+/-20%)

Dissipation Factor

5% Max.

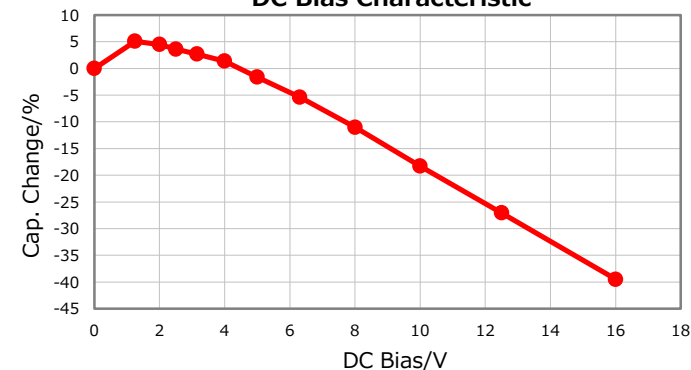
Insulation Resistance

4Mohm Min.

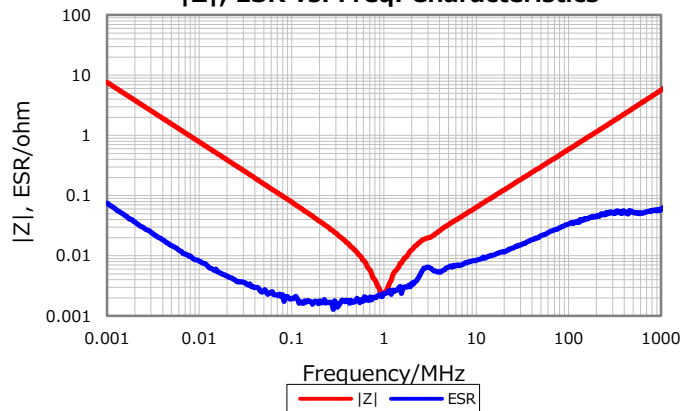
AEC-Q200

Yes

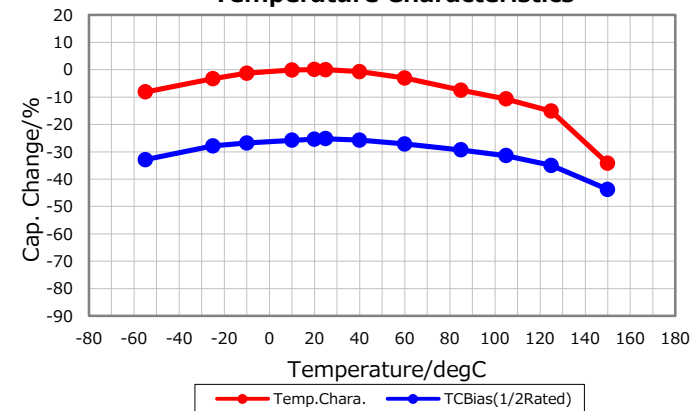
DC Bias Characteristic



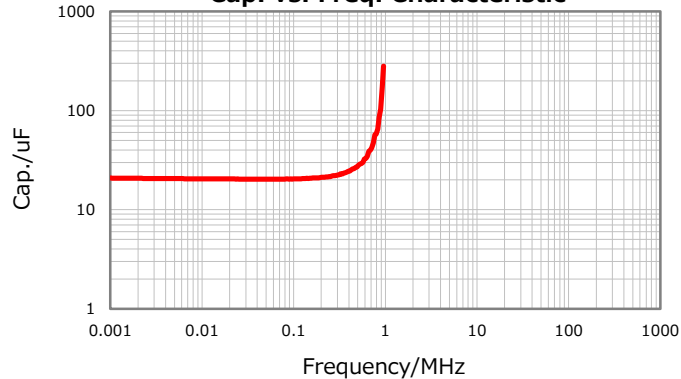
|Z|, ESR vs. Freq. Characteristics



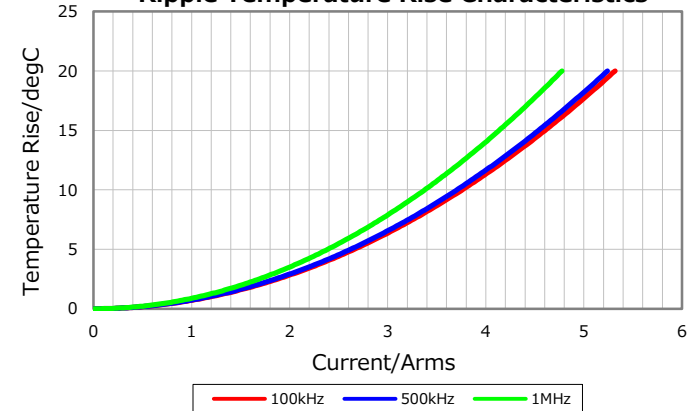
Temperature Characteristics



Cap. vs. Freq. Characteristic



Ripple Temperature Rise Characteristics



Characterization Sheet (Multilayer Ceramic Chip Capacitors)



All specifications are subject to change without notice.

June 19, 2017