

# CGA6P2X8R1E335M250AE

TDK Item Description : CGA6P2X8R1E335MT\*\*\*S



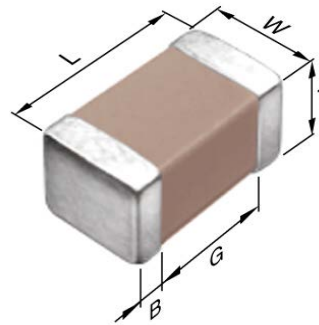
Equivalent C3225X8R1E335M for Automotive

## Application & Main Feature

Automotive Grade ( Soft Termination )

## Series

CGA6(3225) [EIA CC1210]



## Dimensions

L	3.20mm +0.5,-0.4mm
W	2.50mm +/-0.3mm
T	2.50mm +/-0.3mm
B	0.20mm Min.
G	

## Temperature Characteristic

X8R (-55 to 150 degC +/-15%)

## Rated Voltage

1E (25Vdc)

## Capacitance

3.3uF

## Capacitance Tolerance

M (+/-20%)

## Dissipation Factor

3% Max.

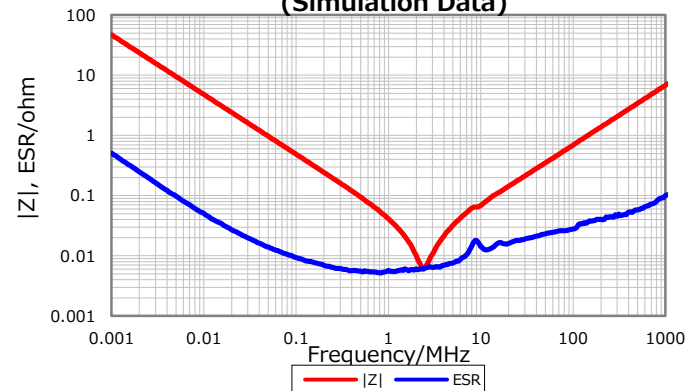
## Insulation Resistance

151Mohm Min.

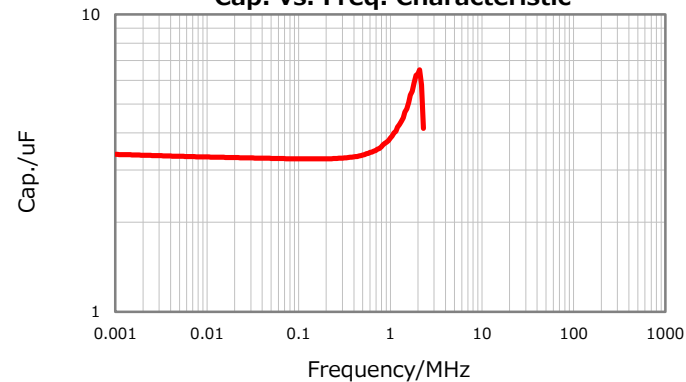
## AEC-Q200

Yes

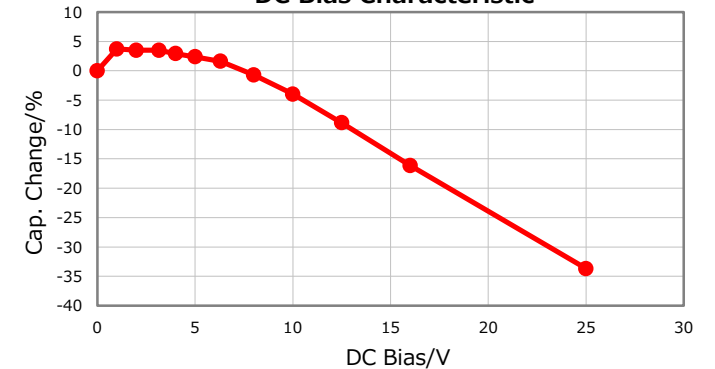
**|Z|, ESR vs. Freq. Characteristics (Simulation Data)**



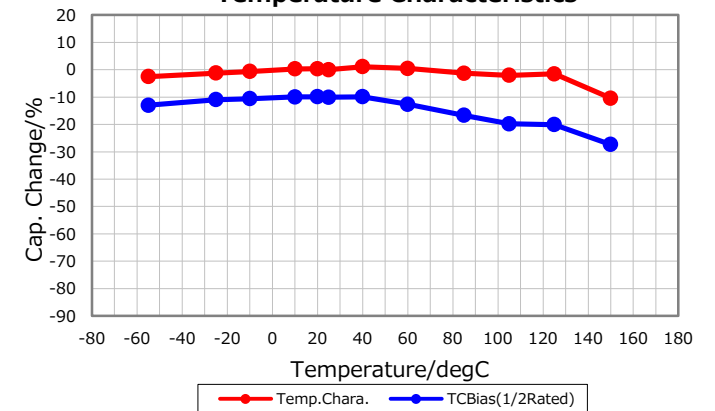
**Cap. vs. Freq. Characteristic**



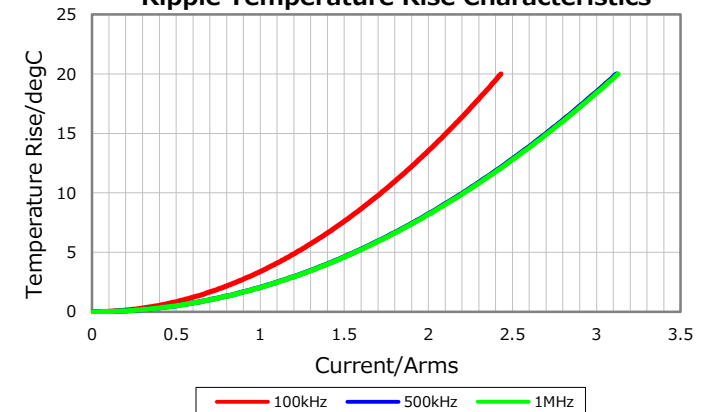
**DC Bias Characteristic**



**Temperature Characteristics**



**Ripple Temperature Rise Characteristics**



Characterization Sheet ( Multilayer Ceramic Chip Capacitors )



All specifications are subject to change without notice.

March 17, 2017