

CGA6P3X7T0E107M250AB

TDK item description : CGA6P3X7T0E107MT****



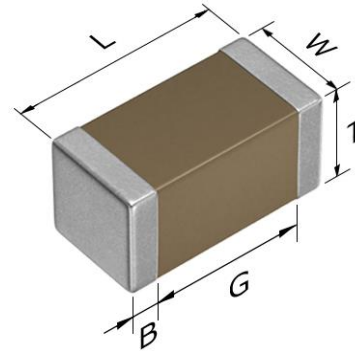
Equivalent C3225X7T0E107M for Automotive

Application & Main Feature

Automotive grade (General type)

Series

CGA6(3225) [EIA 1210]



Dimensions

L 3.20±0.40 mm
 W 2.50+0.40,-0.30 mm
 T 2.50+0.40,-0.30 mm
 B 0.20 mm min.
 G ---

Temperature Characteristic

X7T (-55 to +125 degC, +22/-33%)

Rated Voltage

0E (2.5Vdc)

Capacitance

100µF

Capacitance Tolerance

M (±20%)

DF

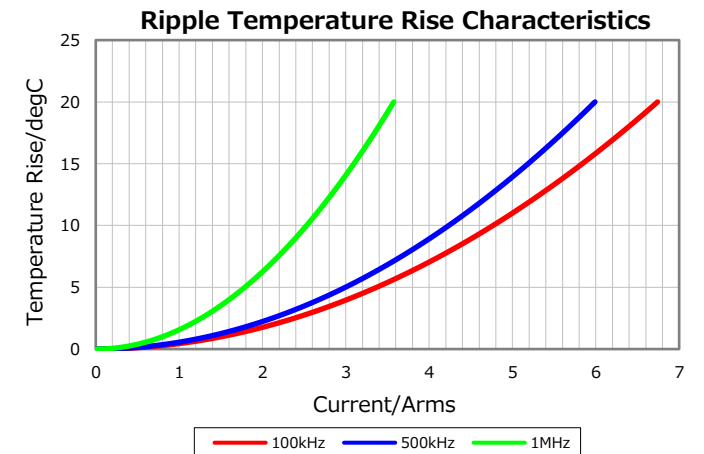
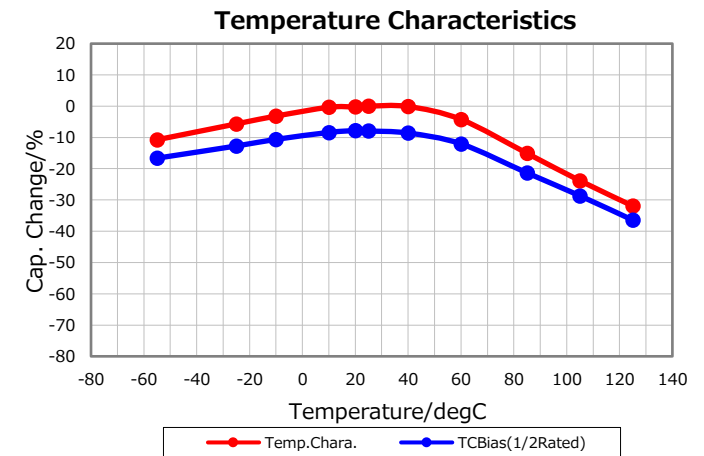
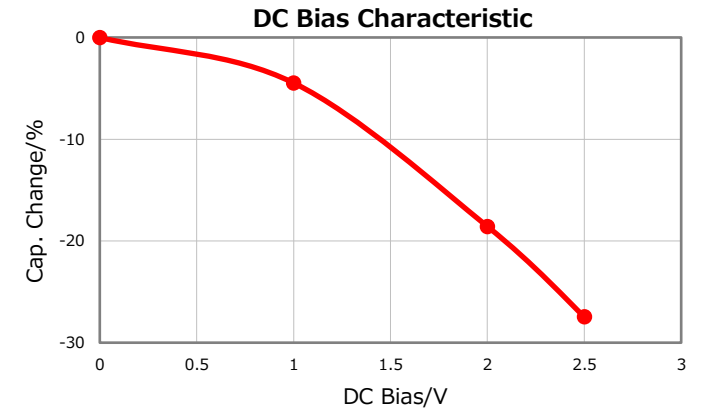
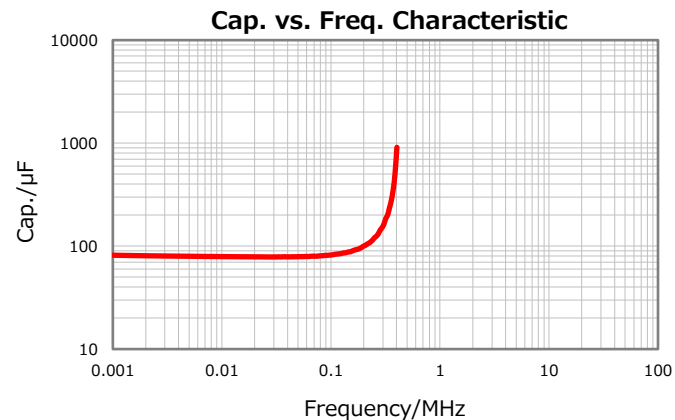
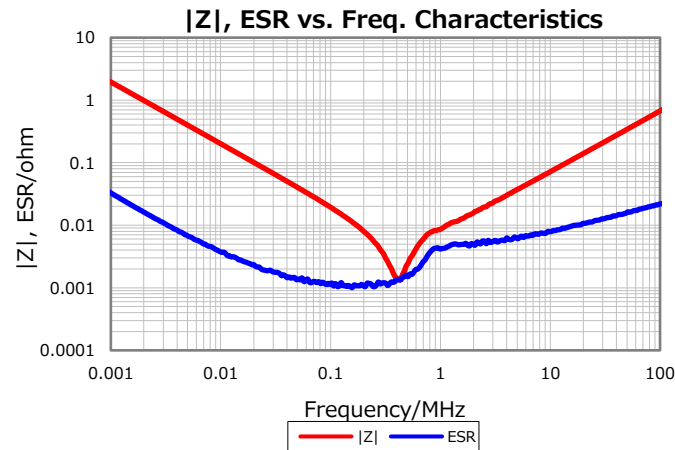
10 % max.

Insulation Resistance

1 Mohm min.

AEC-Q200

Yes



Characterization Sheet (Multilayer Ceramic Chip Capacitors)



All specifications are subject to change without notice.

February 24, 2021