

# CGA8N4X7T2W474K230KE

TDK Item Description : CGA8N4X7T2W474KT\*\*\*S



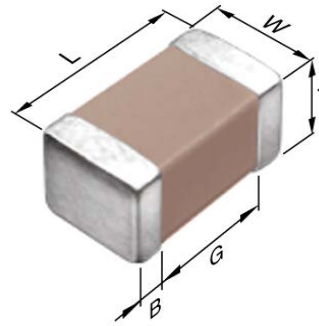
Equivalent C4532X7T2W474K for Automotive

## Application & Main Feature

Automotive Grade ( Soft Termination )

## Series

CGA8(4532) [EIA CC1812]



## Dimensions

L	4.50mm +0.5,-0.4mm
W	3.20mm +/-0.4mm
T	2.30mm +0.3,-0.2mm
B	0.20mm Min.
G	

## Temperature Characteristic

X7T (-55 to 125 degC +22,-33%)

## Rated Voltage

2W (450Vdc)

## Capacitance

470nF

## Capacitance Tolerance

K (+/-10%)

## Dissipation Factor

2.5% Max.

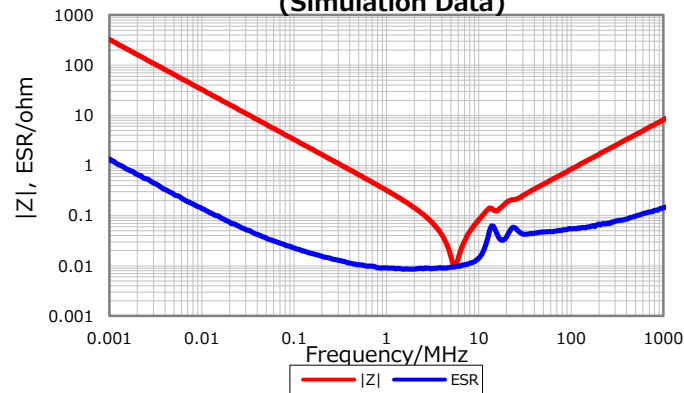
## Insulation Resistance

1.063Gohm Min

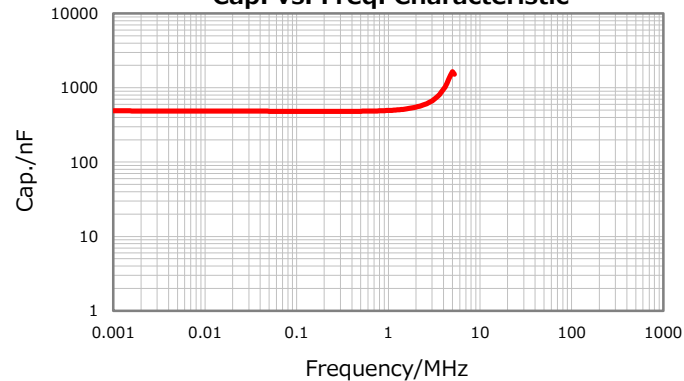
## AEC-Q200

Yes

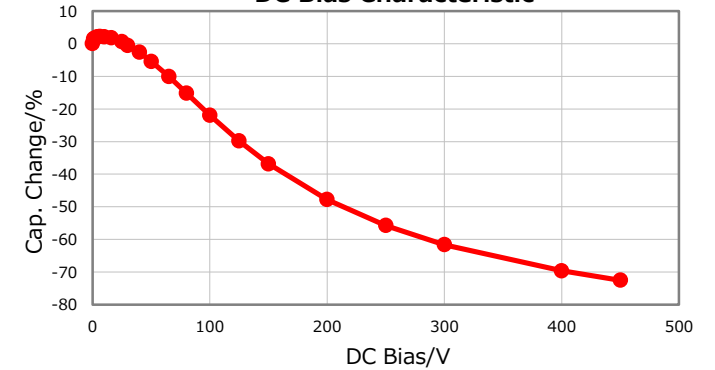
**|Z|, ESR vs. Freq. Characteristics (Simulation Data)**



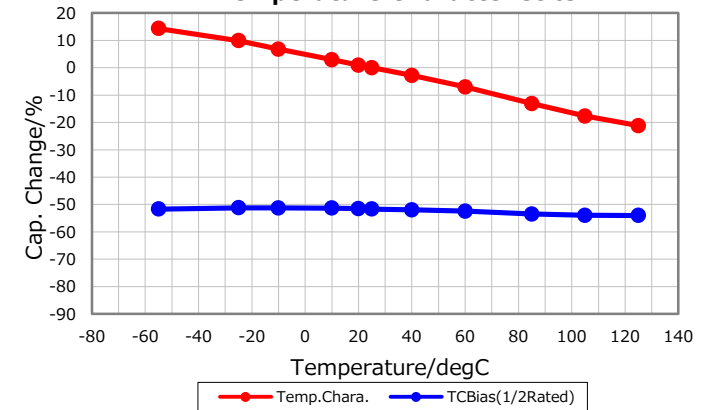
**Cap. vs. Freq. Characteristic**



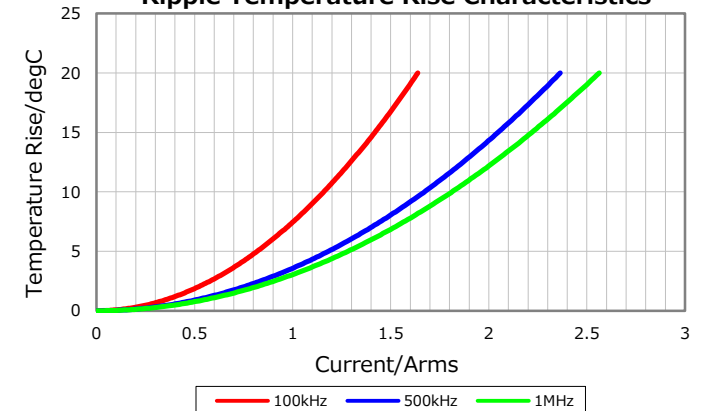
**DC Bias Characteristic**



**Temperature Characteristics**



**Ripple Temperature Rise Characteristics**



Characterization Sheet ( Multilayer Ceramic Chip Capacitors )



All specifications are subject to change without notice.

March 17, 2017