

# CKG45NX7S2A106M500JJ

TDK item description : CKG45NX7S2A106MT\*\*\*

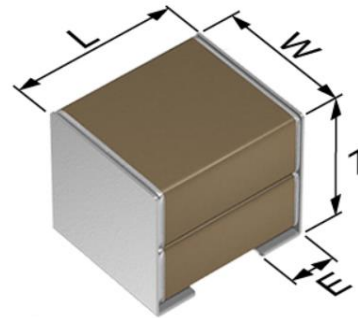


## Application & Main Feature

Automotive grade (MEGACAP)

## Series

CKG45N(4532) [EIA 1812]



## Dimensions

L 5.00±0.50 mm  
W 3.50±0.50 mm  
T 5.00±0.50 mm  
E 1.10±0.30 mm

## Temperature Characteristic

X7S (-55 to +125 degC, ±22%)

## Rated Voltage

2A (100Vdc)

## Capacitance

10µF

## Capacitance Tolerance

M (±20%)

## DF

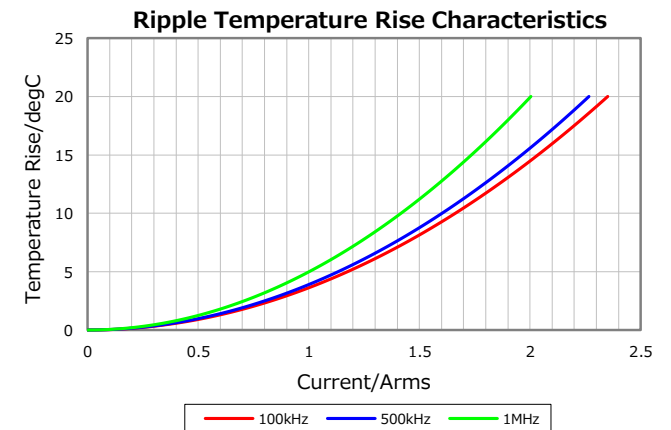
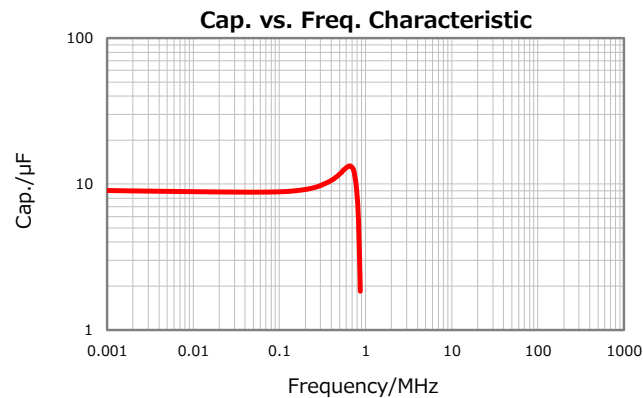
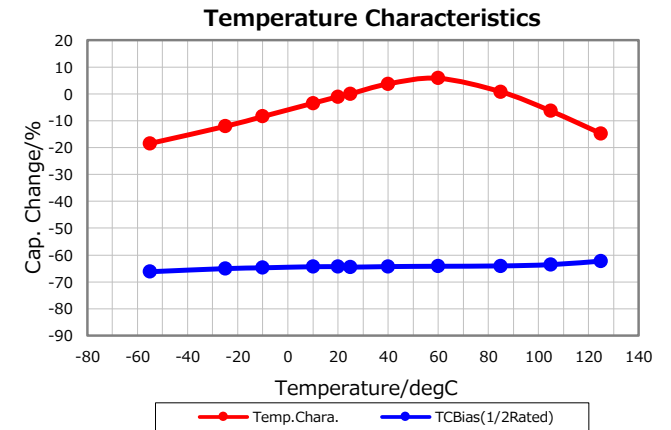
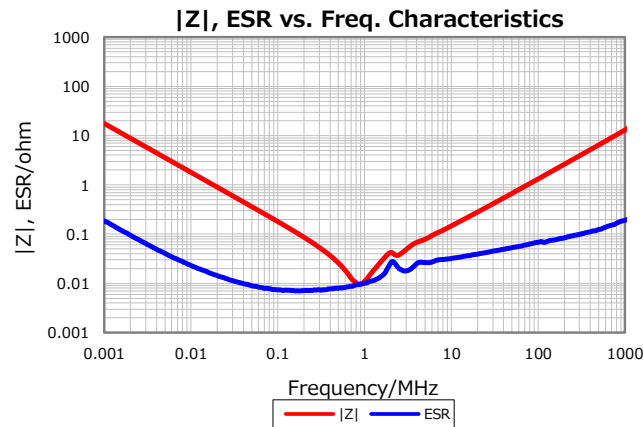
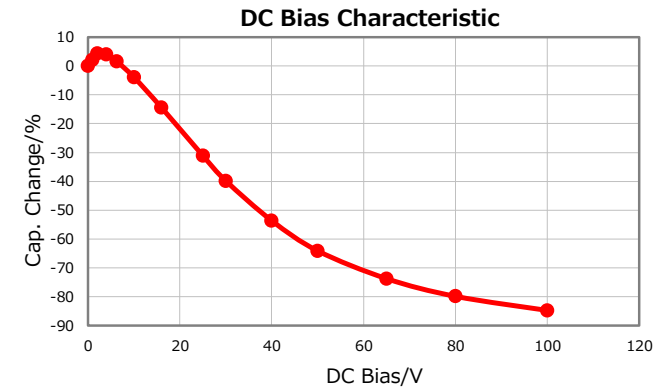
5 % max.

## Insulation Resistance

50 Mohm min.

## AEC-Q200

Yes



Characterization Sheet ( Multilayer Ceramic Chip Capacitors )



⚠ All specifications are subject to change without notice.

April 10, 2022