

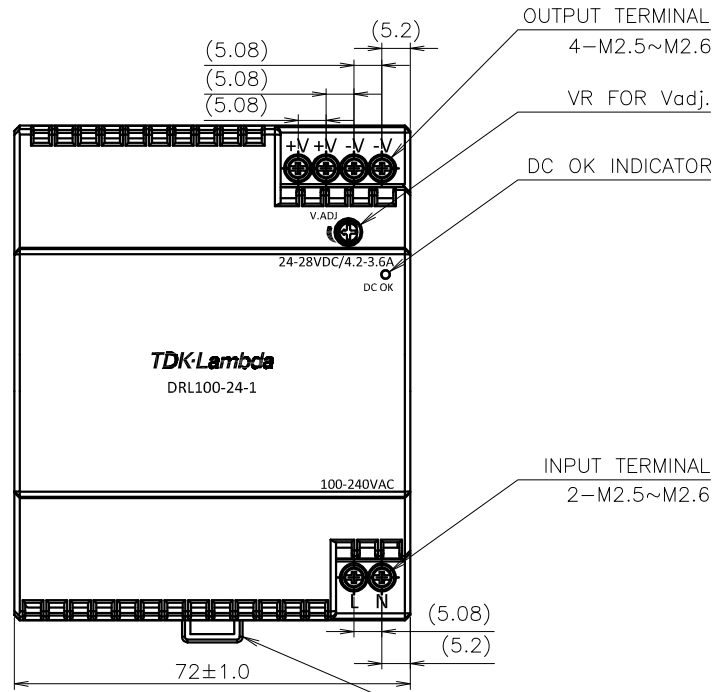
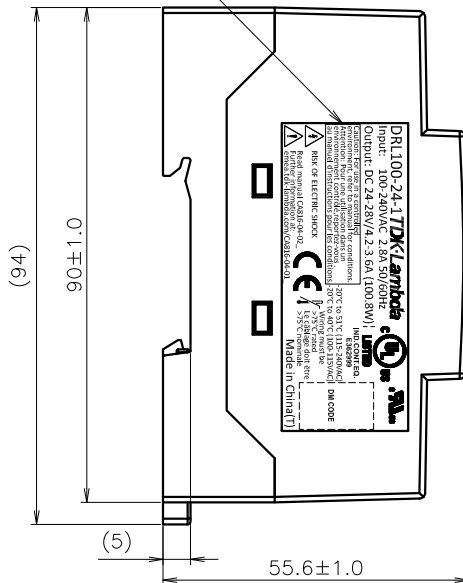
SEE NOTE A

NAME PLATE



SEE NOTE B

NAME PLATE



OUTPUT TERMINAL

4-M2.5~M2.6

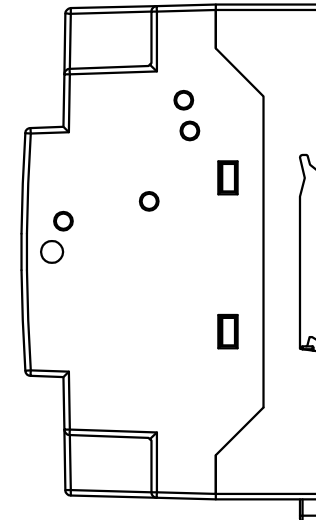
VR FOR Vadj.

DC OK INDICATOR

INPUT TERMINAL

2-M2.5~M2.6

DIN RAIL REMOVAL CAVE
BY SCREW DRIVER



NOTES

A: MODEL NAME, MAXIMUM OUTPUT POWER, NOMINAL OUTPUT VOLTAGE, MAXIMUM OUTPUT CURRENT, ARE SHOWN HERE IN ACCORDANCE WITH THE SPECIFICATIONS.

B: COUNTRY OF MANUFACTURE WILL BE SHOWN HERE.

C: RECOMMENDED SCREW TORQUE(M2.5~M2.6 SCREW): 0.56N·m (5.0Lb·inch).

D: RECOMMENDED WIRE: AWG12~24, WIRE STRIP LENGTH: 4~5mm, 5mm Max.

(unit : mm)

MODEL NAME	DRL100-1
TDK-Lambda	

CAB19-02-01