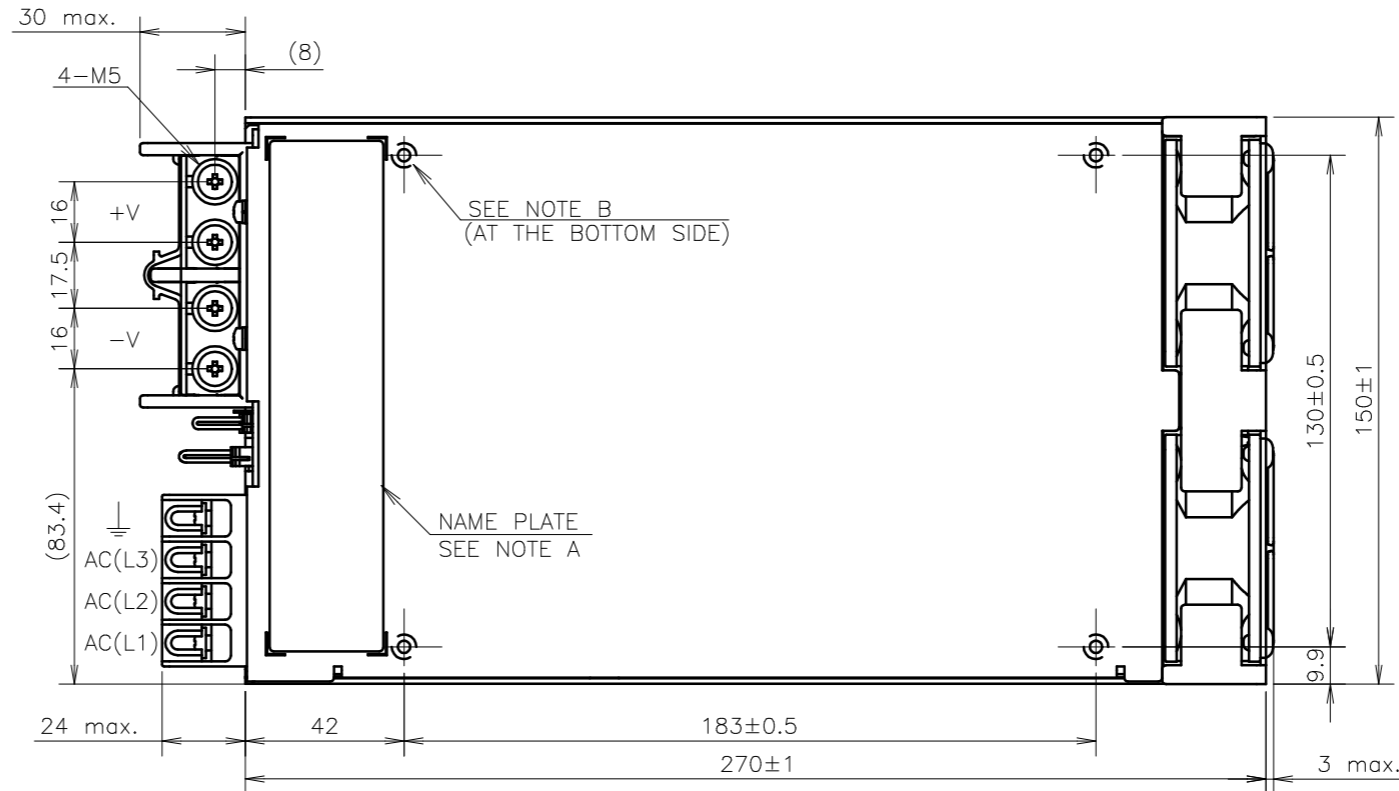
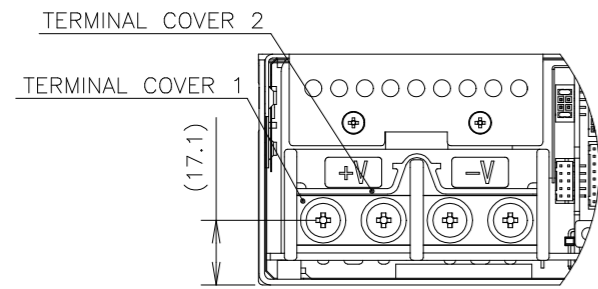
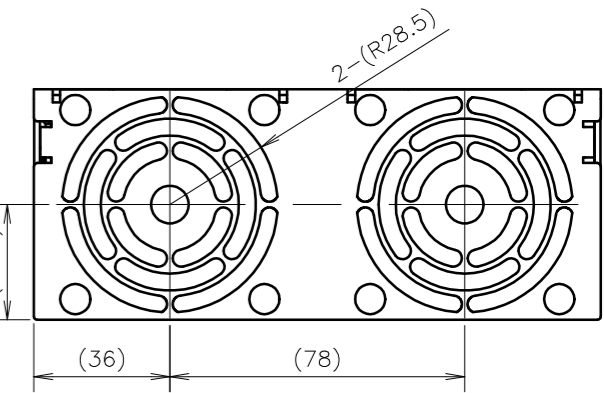
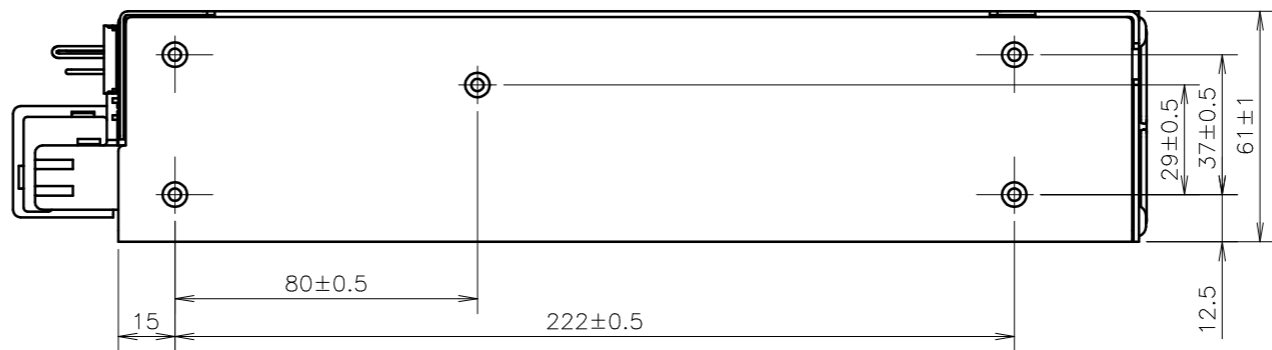
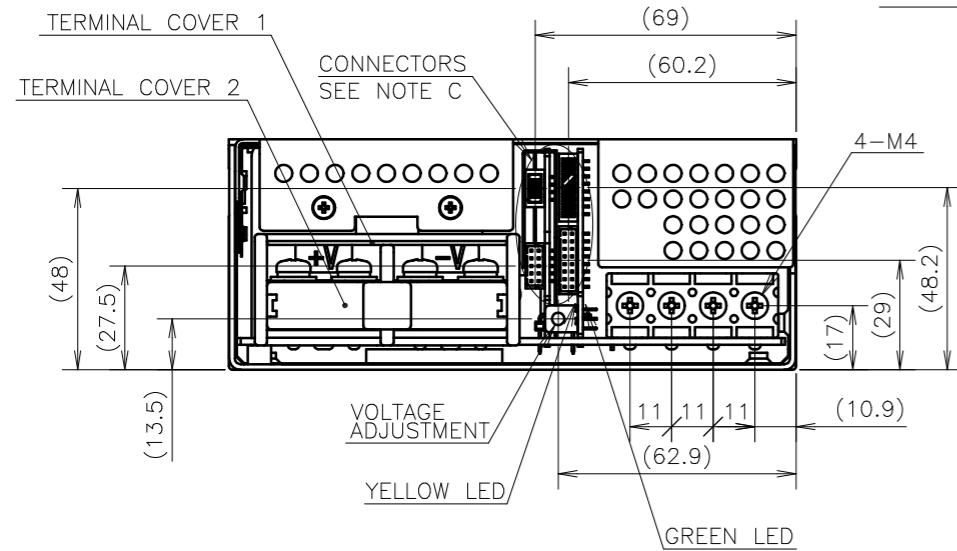


== FRONT SIDE SCREW ==



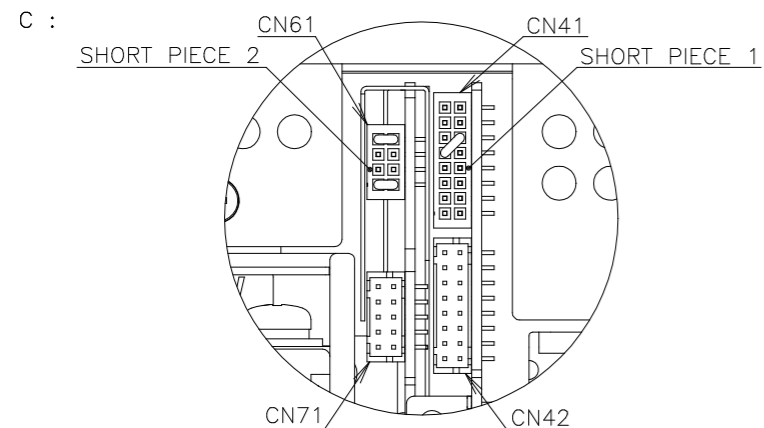
AIR FLOW →



== NOTES ==

A : MODEL NAME, INPUT VOLTAGE RANGE, NOMINAL OUTPUT VOLTAGE, MAXIMUM OUTPUT CURRENT, COUNTRY OF MANUFACTURE AND SAFETY MARKING (FOR ONLY APPROVED PRODUCTS) ARE SHOWN HERE IN ACCORDANCE WITH THE SPECIFICATIONS.

B : 9-M4 BR & COUNTERSINK ARE FOR CUSTOMER'S CHASSIS MOUNTING. (SCREW PENETRATION DEPTH 6mm MAX.)



== ACCESSORIES ==

- * TERMINAL COVER 1 ----- (NET 1)
(ATTACHED ON TERMINAL AT SHIPMENT)
- * TERMINAL COVER 2 ----- (NET 1)
(ATTACHED ON TERMINAL AT SHIPMENT)
- * SHORT PIECE 1 ----- (NET 1)
SHORTING -R - AG
(ATTACHED ON CN41 AT SHIPMENT)
- * SHORT PIECE 2 ----- (NET 1)
SHORTING +L +S, -L -S
(ATTACHED ON CN61 AT SHIPMENT)

| | | | |
|-------------------|----------------------|-------------|--------------|
| SCALE | 1/2 | TITLE | HWS3000GT |
| | | | OUTLINE DWG. |
| UNITS | mm | DRAWING No. | A292-02-01 |
| ANGLE | 3RD ANGLE PROJECTION | | PAGE 1/1 |
| TDK-Lambda | | | |