

CUT75/A

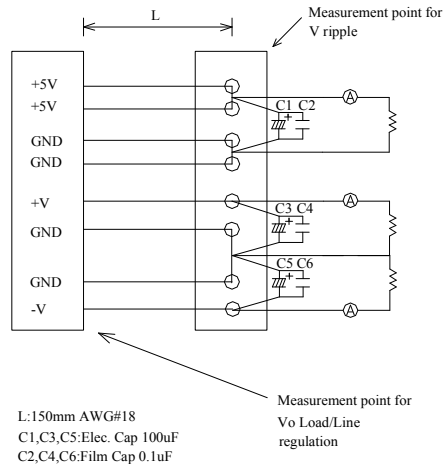
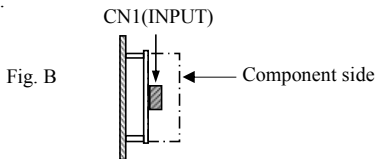
SPECIFICATIONS

CA809-01-01/A

| ITEMS | | MODEL | CUT75-522/A | | | CUT75-5FF/A | | | |
|-------|--------------------------------------|---------|--|-----------|------|-------------|-----------|------|-----|
| | | | CH1 | CH2 | CH3 | CH1 | CH2 | CH3 | |
| 1 | Nominal Output Voltage | V | +5 | +12 | -12 | +5 | +15 | -15 | |
| 2 | Minimum Output Current | A | 0 | 0 | 0 | 0 | 0 | 0 | |
| 3 | Maximum Output Current | A | 8.0 | 3.0 | 1.0 | 8.0 | 2.5 | 1.0 | |
| 4 | Typical Output Current | A | 8.0 | 2.5 | 0.5 | 8.0 | 2.0 | 0.4 | |
| 5 | Maximum Output Power | W | 40.0 | 36.0 | 12.0 | 40.0 | 37.5 | 15.0 | |
| 6 | Maximum Total Allowable Output Power | W | 76.0 | | | 77.5 | | | |
| 7 | Efficiency (Typ) | (*8) | 85.0% | | | 85.0% | | | |
| 8 | Input Voltage Range | (*2) | 85~265VAC, 47~63Hz or 120-370VDC | | | | | | |
| 9 | Input Current (Typ) | (*1) | 2.0A / 1.0A | | | | | | |
| 10 | Inrush Current (Typ) | (*3) | 18A / 100VAC, 36A / 200VAC (cold start, Ta=25°C) | | | | | | |
| 11 | Output Voltage Range | (*12) | V1: +5%,-0% max; V2, V3: Fixed (± 5% max) | | | | | | |
| 12 | Maximum Ripple & Noise (-20<Ta<70°C) | (*4,11) | mV | 120 | 150 | 150 | 120 | 150 | 150 |
| 13 | Maximum Line Regulation | (*5,11) | mV | 50 | 240 | 240 | 50 | 300 | 300 |
| 14 | Maximum Load Regulation | (*6,11) | mV | 100 | 600 | 600 | 100 | 750 | 750 |
| 15 | Temperature Coefficient | - | V1 less than 0.02%, V2, V3 less than 0.03% at -20~70°C | | | | | | |
| 16 | Over Current Protection | (*7) | More than 105% | | | | | | |
| 17 | Over Voltage Protection | V | 5.7~7.0 | 13.8~16.8 | - | 5.7~7.0 | 17.2~21.0 | - | |
| 18 | Hold Up Time (Typ) | (*8) | 20ms | | | | | | |
| 19 | Leakage Current | (*9) | Less than 0.3mA@50Hz,0.5mA@60Hz at 265VAC. 0.11mA(Typ) at 115VAC / 0.22mA(Typ) @60Hz at 230VAC. | | | | | | |
| 20 | Operating Temperature | (*10) | -20~70°C (-20~+40°C: 100%, 70°C: 40%) | | | | | | |
| 21 | Operating Humidity | - | 5%~95 %RH (No dewdrop) | | | | | | |
| 22 | Storage Temperature | - | -30~+85°C | | | | | | |
| 23 | Storage Humidity | - | 5%~95%RH (No dewdrop) | | | | | | |
| 24 | Cooling | - | Convection cooling | | | | | | |
| 25 | EMI | - | Designed to meet EN55011/EN55022-B, FCC-B, VCCI-B | | | | | | |
| 26 | Withstand Voltage | - | I/P-O/P: 3kVAC (10mA), I/P-FG: 2.0kVAC (10mA), O/P-FG: 500VAC (20mA) , CH1-CH2/CH3:500VAC (20mA) for 1min. | | | | | | |
| 27 | Isolation Resistance | - | More than 100MΩ at Ta=25°C and 70%RH, Output - FG: 500VDC | | | | | | |
| 28 | Vibration | - | 10-55Hz Amplitude (sweep 1min) Less than 19.6m/s ² X, Y, Z 1Hr each | | | | | | |
| 29 | Shock (In package) | - | Less than 196.1m/s ² | | | | | | |
| 30 | Safety | - | Approved by IEC60601-1 3rd Edition, IEC60950-1 2nd Edition Approved by EN60950-1, UL60950-1, CSA60950-1 (cTUVus) Design to meet ANSI/AAMI ES60601-1, EN60601-1 3rd Edition | | | | | | |
| 31 | Immunity | - | Designed to meet IEC61000-4-2(Level 3,4), -3(Level 3), -4(Level 4), -5(Level 3,4), -6(Level 3), -8(Level 4), -11 | | | | | | |
| 32 | Weight (Typ) | g | 400 | | | | | | |
| 33 | Size (W.H.D.) | mm | 82 x 38 x 130 (Refer to Outline Drawing) | | | | | | |

NOTES:

- * 1 : At 100/200VAC, Ta=25°C and typical load.
- * 2 : For cases where conformance to various safety specs (UL, CSA, EN) are required, to be described as 100~240VAC(50/60Hz).
- * 3 : Not applicable for the in-rush current to Noise Filter for less than 0.2ms.
- * 4 : Measure with JEITA RC-9131A probe, Bandwidth of scope: 20MHz. Please refer to Fig. A.
- * 5 : 85~265VAC, typical load.
- * 6 : No load-typical load, constant input voltage.
- * 7 : Current limit and Hiccup with automatic recovery. Not operate at over load or dead short condition for more than 30seconds.
- * 8 : At 200VAC, nominal output voltage and typical load.
- * 9 : Measured by the each measuring method of UL,CSA,EN and DENAN .
- *10 : Ratings - Derating at standard mounting (Fig. B).
 - Load (%) is percent of maximum output power or typical load, whichever is greater.
 - As for other mountings, refer to derating curve (CA809-01-02/A_).
- *11 : Please refer to Fig. A for measurement determination of line & load regulation and output ripple voltage.
- *12 : No load-typical load.



L:150mm AWG#18
C1,C3,C5:Elec. Cap 100uF
C2,C4,C6:Film Cap 0.1uF

Fig. A

OUTPUT DERATING

CA809-01-02/A

*COOLING: CONVECTION COOLING

| Ta (°C) | LOADING CONDITION(%) | | | |
|---------|----------------------|------------|------------|------------|
| | Mounting A, C, D | Mounting B | Mounting E | Mounting F |
| -20~20 | 100 | 100 | 100 | 100 |
| 30 | 100 | 100 | 100 | 80 |
| 35 | 100 | 100 | 90 | 70 |
| 40 | 90 | 100 | 80 | 60 |
| 50 | 70 | 80 | 60 | 40 |
| 60 | 50 | 60 | 40 | - |
| 70 | - | 40 | - | - |

| INPUT VOLTAGE | LOADING CONDITION(%) |
|---------------|----------------------------|
| | All Mounting (A,B,C,D,E,F) |
| 85VAC | 60 |
| 100VAC-265VAC | 100 |

*COOLING: CONVECTION COOLING

