

### Industries & Applications



Automation



Industrial



Semi-Fab



Renewable



Comms



Test

**ePLAN**  
data portal

### Features & Benefits

- ▶ **Wide 3 phase input range** for various AC power systems
- ▶ **Parallel mode switch** to activate load balancing behaviour
- ▶ **Two means of transient protection** increase process stability
- ▶ **Fast OVP control** protects sensitive loads
- ▶ **Very low inrush energy peak (I<sup>2</sup>t)** saves cost for input line protection
- ▶ **Screw or push-in terminals available** to serve individual application needs
- ▶ **High efficiency and low stand-by losses contribute to an eco-friendly energy footprint**
- ▶ **DC-OK and inhibit relay contacts** for professional integration into applications control architecture
- ▶ **Comprehensive boost power capabilities** support start-up into capacitive loads and increase system design flexibility
- ▶ Designed to meet the 7 most accepted IEC safety standards
- ▶ Exceeds regulatory EMC standards on radiated emission (Class B), surge immunity and fast transients



### Technical data abstract<sup>1</sup>

|                                    |              |                                                              |
|------------------------------------|--------------|--------------------------------------------------------------|
| Output voltage                     | nom.         | 24V <sub>DC</sub>                                            |
| Adjustment range                   | nom.         | 22.5 .. 29V <sub>DC</sub>                                    |
| Output current                     | nom.         | 5A                                                           |
| Boost current 1 <sup>4</sup>       | max.         | 6A / continuous                                              |
| Boost current 2 <sup>4</sup>       | max.         | 7.5A / 600s                                                  |
| Overload behaviour                 |              | CC + Intermittent mode (Hiccup)                              |
| Hold-up time <sup>2</sup>          | min.         | 20 / 40ms                                                    |
| Frequency range                    | max.         | 47 .. 63Hz                                                   |
| AC input voltage                   | nom.         | 3x400 .. 500V <sub>AC</sub>                                  |
| AC input voltage range             | max.         | 3x350 .. 575V <sub>AC</sub>                                  |
| Inrush current <sup>2</sup>        | typ.         | 25 / 30A                                                     |
| Inrush energy <sup>2</sup>         | typ.         | 0.3 / 0.6A <sup>2</sup> s                                    |
| Output power                       | nom.         | 120W                                                         |
| Boost power 1 <sup>4</sup>         | max.         | 144W / continuous                                            |
| Boost power 2 <sup>4</sup>         | max.         | 180W / 600s                                                  |
| Power factor                       | typ.         | 0.5                                                          |
| Conversion efficiency <sup>2</sup> | typ.         | 91.3 / 91.2%                                                 |
| Power losses <sup>2</sup>          | typ.         | 11.4 / 11.6W                                                 |
| No-load consumption                | max.         | 1.7 / 2.1W                                                   |
| Ambient operating temperature      | max.<br>nom. | -25 .. +70°C (-13 .. +158°F)<br>-25 .. +55°C (-13 .. +131°F) |
| Service lifetime <sup>2</sup>      | min.         | 184 000 / 162 000hrs                                         |
| Service life MTBF <sup>3</sup>     | min.         | 5.7M / 1.8M hrs                                              |
| Width                              |              | 55mm (2 <sup>11</sup> / <sub>16</sub> in)                    |
| Height                             |              | 129mm (5 <sup>5</sup> / <sub>16</sub> in)                    |
| Depth                              |              | 138.2mm (5 <sup>7</sup> / <sub>16</sub> in)                  |
| Weight                             |              | 660g (1.46lb)                                                |

<sup>1</sup>All values refer to STC unless otherwise stated | <sup>2</sup>400 / 500V<sub>AC</sub> | <sup>3</sup>50% / 100% P<sub>out,nom</sub> |

<sup>4</sup>See duty cycle 1/2 under „4. Performance“ on page 9

### Certifications & Approvals



IEC EN 61010-1  
IEC EN 61010-2-201  
IEC EN 62368-1 (Ed.2)



UL CSA 61010-1  
UL CSA 61010-2-201  
E356563



UL CSA 62368-1 (Ed.2)  
E511889

### Compliance & Registration



EU Low Voltage Dir. 2014/35/EU  
EU EMC Dir. 2014/30/EU  
EU RoHS Dir. 2011/65/EU



Safety and EMC Reg. 2016  
Hazard. Substances Reg. 2012



Registration for Russia, Belarus, Armenia,  
Kazakhstan and Kyrgyzstan



China RoHS Law SJ/T 11363-2006



## Commercial information

|                              |                                             |
|------------------------------|---------------------------------------------|
| <b>Order codes</b>           | DRB120-24-3-A0<br>DRB120-24-3-A1            |
| <b>HS code</b>               | 8504408290                                  |
| <b>Life-cycle status</b>     | Launch                                      |
| <b>Product revision</b>      | D06                                         |
| <b>Single package</b>        |                                             |
| Width                        | 70mm (2 <sup>3</sup> / <sub>4</sub> in)     |
| Height                       | 180mm (7 <sup>3</sup> / <sub>32</sub> in)   |
| Depth                        | 166mm (6 <sup>17</sup> / <sub>32</sub> in)  |
| Gross weight                 | 780g (1.72lb)                               |
| <b>Bulk package</b>          |                                             |
| Width                        | 340mm (13 <sup>25</sup> / <sub>64</sub> in) |
| Height                       | 205mm (8 <sup>3</sup> / <sub>64</sub> in)   |
| Depth                        | 405mm (15 <sup>15</sup> / <sub>16</sub> in) |
| Quantity                     | 10 units                                    |
| <b>Pallet</b>                |                                             |
| Width                        | 1000mm (39 <sup>3</sup> / <sub>8</sub> in)  |
| Length                       | 1200mm (47 <sup>1</sup> / <sub>4</sub> in)  |
| Quantity                     | 240 units                                   |
| <b>Manufacturer warranty</b> | 3 years                                     |

## Model selector

| Model name     | Output Power | Output Voltage    | Feature           |
|----------------|--------------|-------------------|-------------------|
| DRB120-12-3-A0 | 120W         | 12V <sub>DC</sub> | Screw terminals   |
| DRB120-12-3-A1 | 120W         | 12V <sub>DC</sub> | Push-in terminals |
| DRB120-24-3-A0 | 120W         | 24V <sub>DC</sub> | Screw terminals   |
| DRB120-24-3-A1 | 120W         | 24V <sub>DC</sub> | Push-in terminals |
| DRB240-24-3-A0 | 240W         | 24V <sub>DC</sub> | Screw terminals   |
| DRB240-24-3-A1 | 240W         | 24V <sub>DC</sub> | Push-in terminals |
| DRB240-48-3-A0 | 240W         | 48V <sub>DC</sub> | Screw terminals   |
| DRB240-48-3-A1 | 240W         | 48V <sub>DC</sub> | Push-in terminals |
| DRB480-24-3-A0 | 480W         | 24V <sub>DC</sub> | Screw terminals   |
| DRB480-24-3-A1 | 480W         | 24V <sub>DC</sub> | Push-in terminals |
| DRB480-48-3-A0 | 480W         | 48V <sub>DC</sub> | Screw terminals   |
| DRB480-48-3-A1 | 480W         | 48V <sub>DC</sub> | Push-in terminals |
| DRB480-72-3-A0 | 480W         | 72V <sub>DC</sub> | Screw terminals   |
| DRB480-72-3-A1 | 480W         | 72V <sub>DC</sub> | Push-in terminals |
| DRB960-24-3-A0 | 960W         | 24V <sub>DC</sub> | Screw terminals   |
| DRB960-24-3-A1 | 960W         | 24V <sub>DC</sub> | Push-in terminals |
| DRB960-48-3-A0 | 960W         | 48V <sub>DC</sub> | Screw terminals   |
| DRB960-48-3-A1 | 960W         | 48V <sub>DC</sub> | Push-in terminals |
| DRB960-72-3-A0 | 960W         | 72V <sub>DC</sub> | Screw terminals   |
| DRB960-72-3-A1 | 960W         | 72V <sub>DC</sub> | Push-in terminals |



## Accessories



### DBM buffer modules

In order to secure process uptime and reliability in 24V low-voltage systems, DBM buffer modules increase hold-up time or provide a reserve for peak loads.

#### DBM20

20A input/output, electrolytic capacitors, signalling & control, screw terminals

#### DBM20/E

20A input/output, electrolytic capacitors, signalling & control, spring clamp terminals

[emea.lambda.tdk.com/uk/products/dbm20](http://emea.lambda.tdk.com/uk/products/dbm20)



### DRM redundancy modules

For building fault tolerant 12/24V systems, DRM redundancy modules can be used to decouple n+1 power supplies.

#### DRM40

40A output, 2x20A input, screw terminals, DC OK and balancing LEDs

#### DRM40B

40A output, 2x20A input, screw terminals

[emea.lambda.tdk.com/uk/products/drm40](http://emea.lambda.tdk.com/uk/products/drm40)



### DDA DC/DC converter

Non-isolated step-down converter for creating additional DC bus voltages from a single DC input source.

#### DDA250

Single output 20A at 3.3..15V, input 9..53V, DC OK LED, screw terminals

#### DDA325

Dual output 14A at 3.3..24V and 8A at -3.3..-24V, input 9..40V, DC OK LEDs, screw terminals

#### DDA500

Dual output 2x20A at 3.3..15V, input 9..53V, DC OK LEDs, screw terminals

[emea.lambda.tdk.com/uk/products/dda](http://emea.lambda.tdk.com/uk/products/dda)



## Index

|            |                                                     |           |
|------------|-----------------------------------------------------|-----------|
| <b>1.</b>  | <b>General</b> .....                                | <b>6</b>  |
| 1.1        | Proper handling of the product.....                 | 6         |
| 1.2        | Protection enclosure required.....                  | 6         |
| 1.3        | Humid environments.....                             | 6         |
| 1.4        | Switch or circuit-breaker mounting position.....    | 6         |
| 1.5        | Observe country-specific regulations.....           | 6         |
| 1.6        | Prohibited electrical/mechanical modifications..... | 6         |
| 1.7        | Expiry of the manufacturer's warranty.....          | 6         |
| 1.8        | Use of third-party products.....                    | 6         |
| 1.9        | Standard test conditions.....                       | 6         |
| 1.10       | Description of user elements.....                   | 6         |
| <b>2.</b>  | <b>Electrical output</b> .....                      | <b>7</b>  |
| <b>3.</b>  | <b>Electrical input</b> .....                       | <b>8</b>  |
| <b>4.</b>  | <b>Performance</b> .....                            | <b>9</b>  |
| <b>5.</b>  | <b>Ambient conditions</b> .....                     | <b>10</b> |
| <b>6.</b>  | <b>Reliability and Service lifetime</b> .....       | <b>12</b> |
| <b>7.</b>  | <b>Dimensions &amp; Mechanical data</b> .....       | <b>12</b> |
| <b>8.</b>  | <b>Installation clearances</b> .....                | <b>14</b> |
| <b>9.</b>  | <b>Wiring &amp; Connection</b> .....                | <b>14</b> |
| <b>10.</b> | <b>Signaling &amp; Control</b> .....                | <b>15</b> |
| <b>11.</b> | <b>Block diagram</b> .....                          | <b>16</b> |
| <b>12.</b> | <b>Device protection</b> .....                      | <b>16</b> |
| <b>13.</b> | <b>Electrical Safety</b> .....                      | <b>17</b> |
| 13.1       | Overvoltage category design.....                    | 17        |
| 13.2       | Insulation strength.....                            | 17        |
| 13.3       | HIPOT test.....                                     | 18        |
| <b>14.</b> | <b>Electromagnetic immunity</b> .....               | <b>19</b> |
| <b>15.</b> | <b>Electromagnetic emission</b> .....               | <b>19</b> |
| <b>16.</b> | <b>Certifications &amp; Approvals</b> .....         | <b>20</b> |
| <b>17.</b> | <b>Designed to meet</b> .....                       | <b>20</b> |
| <b>18.</b> | <b>Compliance &amp; Registration</b> .....          | <b>20</b> |
| <b>19.</b> | <b>Typical use-cases</b> .....                      | <b>21</b> |
| 19.1       | Parallel Operation.....                             | 21        |
| 19.2       | Series operation.....                               | 22        |
| 19.3       | Two-phase operation.....                            | 23        |



## List of abbreviations

|                   |                |                                                                                                                                                                                                     |
|-------------------|----------------|-----------------------------------------------------------------------------------------------------------------------------------------------------------------------------------------------------|
| <b>avg.</b>       | <i>average</i> | The arithmetic average calculated from a row of values.                                                                                                                                             |
| <b>CC</b>         |                | Constant output current                                                                                                                                                                             |
| <b>CGD</b>        |                | Corner grounded delta (AC power system)                                                                                                                                                             |
| <b>chap.</b>      |                | Chapter                                                                                                                                                                                             |
| <b>Dir.</b>       |                | Directive                                                                                                                                                                                           |
| <b>eCap</b>       |                | Electrolytic capacitor                                                                                                                                                                              |
| <b>EMC</b>        |                | Electromagnetic Compatibility                                                                                                                                                                       |
| <b>Iac</b>        |                | AC input current under a particular operating condition                                                                                                                                             |
| <b>Iout</b>       |                | DC output current under a particular operating condition                                                                                                                                            |
| <b>Iout_boost</b> |                | Available current reserve beyond Iout_nom (w/o a drop in Uset) that can be delivered for a limited time.                                                                                            |
| <b>Iout_nom</b>   |                | Continuous nominal DC output current under STC.                                                                                                                                                     |
| <b>Iout_ol</b>    |                | Max. intermittent DC output current in an overload situation and a shortfall of Uset.                                                                                                               |
| <b>Iout_sc</b>    |                | Max. short circuit DC output current and Uout close to zero.                                                                                                                                        |
| <b>ITU</b>        |                | International Telecommunication Union                                                                                                                                                               |
| <b>max.</b>       | <i>maximum</i> | The maximum value which a parameter can assume, or which must not be exceeded.                                                                                                                      |
| <b>MCB</b>        |                | Miniature circuit breaker                                                                                                                                                                           |
| <b>min.</b>       | <i>minimum</i> | The minimum value which a parameter can assume, or must not be fallen below.                                                                                                                        |
| <b>MTBF</b>       |                | Mean Time Between Failure                                                                                                                                                                           |
| <b>nom.</b>       | <i>nominal</i> | The ideal or reference value of a technical parameter which is guaranteed under STC. All nominal values in this document refer to each other and represent the general specification of the device. |
| <b>OCP</b>        |                | Overcurrent protection                                                                                                                                                                              |
| <b>OTP</b>        |                | Overtemperature protection                                                                                                                                                                          |
| <b>OVP</b>        |                | Overvoltage protection                                                                                                                                                                              |
| <b>PELV</b>       |                | Protective Extra Low Voltage                                                                                                                                                                        |
| <b>Pout</b>       |                | Output power under a particular operating condition with reference to Pout_nom                                                                                                                      |
| <b>Pout_boost</b> |                | Available power reserve beyond Pout_nom that can be delivered for a limited time.                                                                                                                   |
| <b>Pout_nom</b>   |                | Nominal output power                                                                                                                                                                                |
| <b>PSU</b>        |                | Power supply unit                                                                                                                                                                                   |
| <b>Reg.</b>       |                | Regulation                                                                                                                                                                                          |
| <b>SELV</b>       |                | Safety Extra Low Voltage                                                                                                                                                                            |
| <b>STC</b>        |                | Standard test conditions (see „1. General“ on page 6)                                                                                                                                               |
| <b>typ.</b>       | <i>typical</i> | The typical value of a parameter is not guaranteed but can be assumed under STC. The min. or max. value must be determined during the engineering process of the end application.                   |
| <b>Uout</b>       |                | DC output voltage under a particular operating condition                                                                                                                                            |
| <b>Uout_nom</b>   |                | Nominal DC output voltage                                                                                                                                                                           |
| <b>Uset</b>       |                | Manually set output voltage via voltage potentiometer                                                                                                                                               |
| <b>UVP</b>        |                | Undervoltage protection                                                                                                                                                                             |
| <b>Vac</b>        |                | AC input voltage under a particular operating condition                                                                                                                                             |
| <b>Vac_nom</b>    |                | Nominal AC input voltage                                                                                                                                                                            |
| <b>/</b>          |                | Separator between two values. The conditions to which the values refer can be found in the last column of the table.                                                                                |
| <b>..</b>         |                | Specifies a range of values.                                                                                                                                                                        |
| <b>&lt;</b>       |                | The parameter is less than or equal to the specified value                                                                                                                                          |
| <b>&gt;</b>       |                | The parameter is greater than or equal to the specified value                                                                                                                                       |

## Table data structure

### X. Technical category

| Technical parameter | Characteristic (optional) | Values | Condition (optional) |
|---------------------|---------------------------|--------|----------------------|
|---------------------|---------------------------|--------|----------------------|

## 1. General

### 1.1 Proper handling of the product

The faultless and safe operation of the products requires proper transport, proper storage, set-up, assembly, installation, commissioning, operation and maintenance. The permissible ambient conditions must be observed. Instructions in the associated documentation must be observed.

### 1.2 Protection enclosure required

The device must be installed in a protective housing or control cabinet to which only qualified personnel have access.

### 1.3 Humid environments

Do not operate the device in a damp environment or in an environment where condensation is likely to occur.

### 1.4 Switch or circuit-breaker mounting position

A switch or circuit-breaker must be mounted near the equipment.

### 1.5 Observe country-specific regulations

In addition to the product documentation, the relevant country-specific regulations for the installation of the device must be observed.

### 1.6 Prohibited electrical/mechanical modifications

The product must not be modified in any way electrically or mechanically. Modifications can result in fatal injuries and damage to property.

### 1.7 Expiry of the manufacturer's warranty

The power supply is maintenance-free. Repairs can only be carried out by the manufacturer. Opening the housing voids the manufacturer's warranty.

### 1.8 Use of third-party products

If third-party products and components are used for power or voltage increase, buffering (AC or DC side), EMC filtering, redundancies or for DC side load protection, it must be in accordance with the TDK-Lambda product specification.

### 1.9 Standard test conditions

Unless otherwise stated, all values are specified in normal mounting position, at full load, nominal input and output voltages, 25°C (131°F) ambient temperature and a run-in time of 5 minutes.

### 1.10 Description of user elements

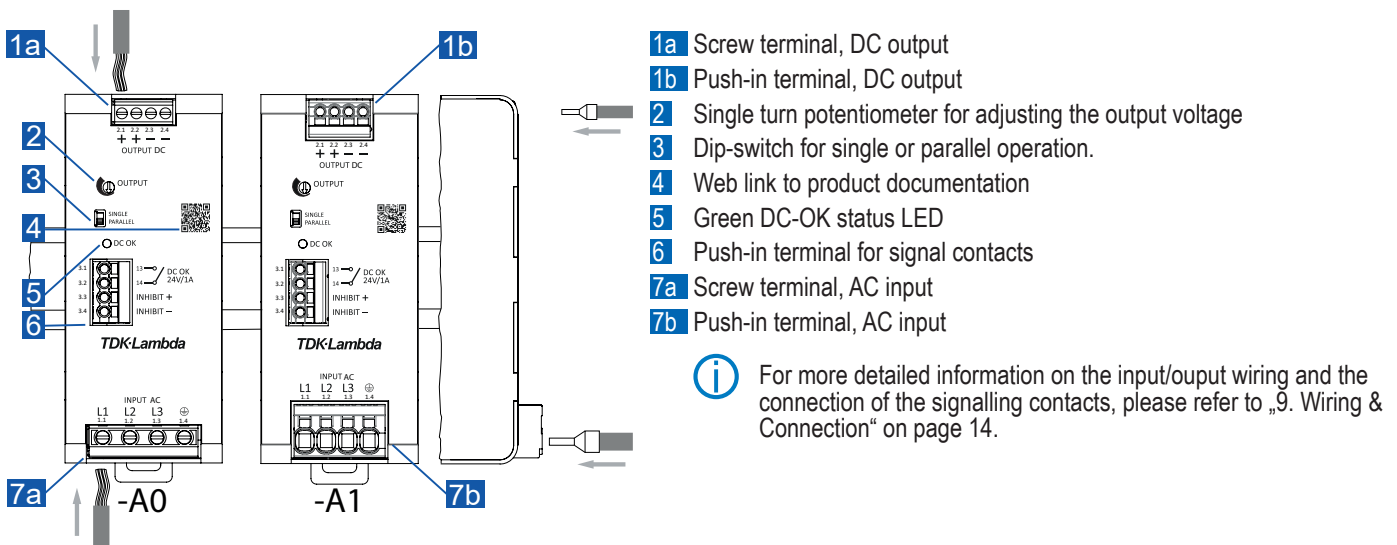


Fig. 1: Description of user elements

## 2. Electrical output

|                                                      |              |                                               |                                                                                                            |
|------------------------------------------------------|--------------|-----------------------------------------------|------------------------------------------------------------------------------------------------------------|
| <b>Output voltage</b><br>[U <sub>out_nom</sub> ]     | nom.         | 24V <sub>DC</sub>                             |                                                                                                            |
| <b>Adjustment range</b><br>[U <sub>set</sub> ]       | nom.         | 22.5..29V <sub>DC</sub>                       |                                                                                                            |
| <b>Adjustment tolerance</b>                          | max.         | ±3%                                           | at upper/lower end position of voltage potentiometer                                                       |
| <b>Factory default</b>                               |              | 24V <sub>DC</sub> (±0.1%)                     |                                                                                                            |
| <b>Output current</b><br>[I <sub>out_nom</sub> ]     | nom.         | 5A                                            | 22.5..29V <sub>DC</sub>                                                                                    |
| <b>Boost current 1</b><br>[I <sub>out_boost1</sub> ] | max.         | 6A / continuous                               | 280..575V <sub>AC</sub> , 22.5..29V <sub>DC</sub> , <55°C <sub>amb</sub>                                   |
| <b>Boost current 2</b><br>[I <sub>out_boost2</sub> ] | max.         | 7.5A / 600s                                   | 280..575V <sub>AC</sub> , 24V <sub>DC</sub> , <55°C <sub>amb</sub>                                         |
| <b>Overload behaviour</b>                            |              | Constant current + Intermittent mode (Hiccup) | see Fig. 3                                                                                                 |
| <b>SC hiccup current</b><br>[I <sub>out_hc</sub> ]   | max.<br>avg. | 7.5A / 0.3s<br>0.75A / 10s                    |                                                                                                            |
| <b>Short-circuit proof</b>                           |              | yes, with auto-recovery                       |                                                                                                            |
| <b>Instant SC current</b><br>[I <sub>out_sc</sub> ]  | max.         | 25A / < 1ms                                   |                                                                                                            |
| <b>Start-up delay</b>                                | typ.         | 2.5s                                          |                                                                                                            |
| <b>Rise time</b>                                     | typ.         | 10ms<br>20ms                                  | 0% P <sub>out_nom</sub><br>100% P <sub>out_nom</sub> , resistive load                                      |
| <b>Voltage overshoot</b>                             | typ.         | 1.7V <sub>DC</sub>                            |                                                                                                            |
| <b>Fall time</b>                                     | typ.         | 20ms                                          |                                                                                                            |
| <b>Hold-up time</b>                                  | min.         | 20 / 40ms                                     | 400 / 500V <sub>AC</sub>                                                                                   |
| <b>Output capacitance</b>                            | max.         | 9070µF                                        |                                                                                                            |
| <b>Capacitive load start-up</b>                      | max.         | 5000µF                                        | 22,5..29V <sub>DC</sub>                                                                                    |
| <b>Feedback voltage</b>                              | max.         | 35V <sub>DC</sub>                             |                                                                                                            |
| <b>Return current</b>                                | max.         | 10mA                                          | OFF mode                                                                                                   |
| <b>Line regulation</b>                               | max.         | 0.06%                                         | 350..550V <sub>AC</sub>                                                                                    |
| <b>Load regulation</b>                               | max.         | 0.6%<br>3.0%                                  | 350..550V <sub>AC</sub><br>350..550V <sub>AC</sub> , parallel mode                                         |
| <b>Dynamic response</b>                              | typ.         | ±250mV <sub>pp</sub>                          | 350..550V <sub>AC</sub> , 10..100% P <sub>out_nom</sub> , transient frequency 10Hz                         |
| <b>Ripple &amp; noise voltage*</b>                   | max.         | 10mV <sub>pp</sub><br>30mV <sub>pp</sub>      | 350..550V <sub>AC</sub> , +25..+70°C <sub>amb</sub><br>350..550V <sub>AC</sub> , -25..+25°C <sub>amb</sub> |

\*The measurement was performed with a short twisted pair cable using a 120µF eCap and a 0.1µF cCap connected in parallel. A bandwidth limit of 20MHz is required.

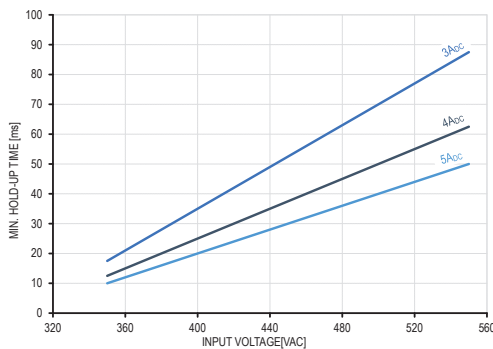


Fig. 2: Hold-up times under different load conditions and in dependence of the input voltage

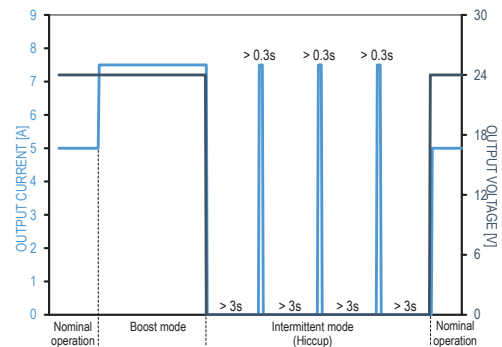


Fig. 3: Output current and voltage in different operation modes

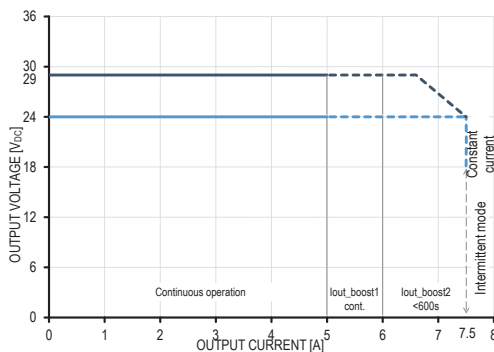


Fig. 4: Overcurrent capability up to 55°C<sub>amb</sub>

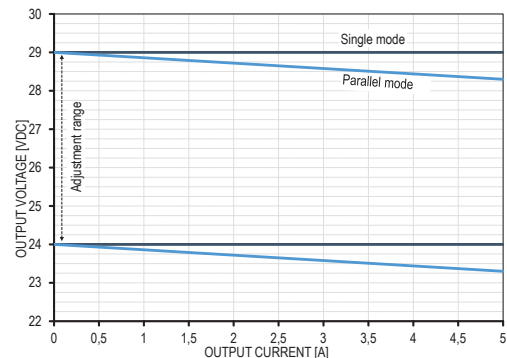


Fig. 5: Voltage drop in parallel mode in dependence of the load current

Unless otherwise stated, all values are specified in normal mounting position, at full load, nominal input and output voltages, 25°C (77°F) ambient temperature and a run-in time of 5 minutes.



### 3. Electrical input

|                                                    |                               |                             |
|----------------------------------------------------|-------------------------------|-----------------------------|
| <b>AC power systems</b>                            | TN, TT, IT (IEC 61010-1), CGD |                             |
| <b>Mains Frequency</b>                             | <i>nom.</i>                   | 50 / 60Hz                   |
| <b>Frequency range</b>                             | <i>max.</i>                   | 47 .. 63Hz                  |
| <b>AC input voltage*</b><br>[U <sub>in_nom</sub> ] | <i>nom.</i>                   | 3x400 .. 500V <sub>AC</sub> |
| <b>Voltage range</b>                               | <i>max.</i>                   | 3x350 .. 575V <sub>AC</sub> |
| <b>Turn-ON voltage</b>                             | <i>typ.</i>                   | 310V <sub>AC</sub>          |
| <b>Turn-OFF voltage</b>                            | <i>typ.</i>                   | 275V <sub>AC</sub>          |
| <b>AC input current</b>                            | <i>max.</i>                   | 3x0.5A                      |
| <b>AC input current RMS</b>                        | <i>typ.</i>                   | 3x0.36 / 3x0.31A            |
| <b>Crest factor</b>                                | <i>typ.</i>                   | 3.3 / 3.5                   |
| <b>Inrush current</b>                              | <i>typ.</i>                   | 25 / 30A <3ms               |
| <b>Inrush energy</b>                               | <i>typ.</i>                   | 0.3 / 0.6A <sup>2</sup> s   |
| <b>Input capacitance</b>                           | <i>max.</i>                   | 34μF                        |

\*The product is also capable to operate with DC input voltage. Please contact your local support team (see page 24).

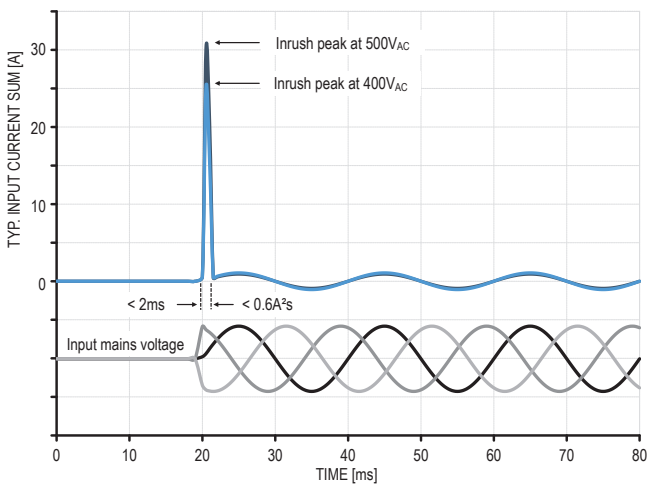


Fig. 6: Inrush current and energy during start-up phase

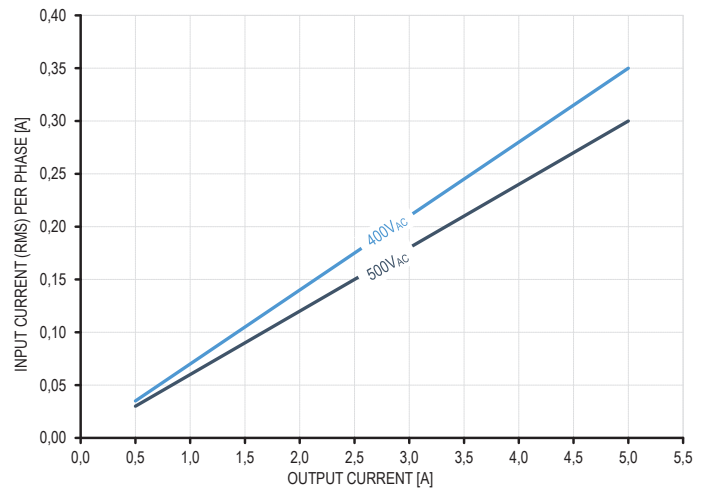


Fig. 7: Typical input current per phase in dependence of the load current



## 4. Performance

|                                                    |              |                   |                                                                                     |
|----------------------------------------------------|--------------|-------------------|-------------------------------------------------------------------------------------|
| <b>Output power</b><br>[P <sub>out_nom</sub> ]     | <i>nom.</i>  | 120W              |                                                                                     |
| <b>Boost power 1</b><br>[P <sub>out_boost1</sub> ] | <i>max.</i>  | 144W / continuous | 280 .. 575V <sub>AC</sub> , 24V <sub>DC</sub> , <55°C <sub>amb</sub>                |
| <b>Boost power 2</b><br>[P <sub>out_boost2</sub> ] | <i>max.</i>  | 180W / 600s       | 280 .. 575V <sub>AC</sub> , 24V <sub>DC</sub> , <55°C <sub>amb</sub>                |
| <b>Duty cycle 1</b>                                | <i>max.</i>  | 1.00              | See boost power 1                                                                   |
| <b>Duty cycle 2</b>                                | <i>max.</i>  | 0.35              | See boost power 2                                                                   |
| <b>Dropped phase power</b>                         | <i>max.</i>  | 120W              | 2x400 .. 500V <sub>AC</sub> , not compliant with IEC/EN 61000-3-2 harmonic currents |
| <b>Apparent input power</b>                        | <i>typ.</i>  | 262.9 / 263VA     | 400 / 500V <sub>AC</sub>                                                            |
| <b>Active input power</b>                          | <i>typ.</i>  | 131.4 / 131.6W    | 400 / 500V <sub>AC</sub>                                                            |
| <b>Reactive input power</b>                        | <i>typ.</i>  | 227.7 / 228Var    | 400 / 500V <sub>AC</sub>                                                            |
| <b>Power factor</b>                                | <i>typ.</i>  | 0.5               |                                                                                     |
| <b>Conversion efficiency</b>                       | <i>typ.</i>  | 91.3 / 91.2%      | 400 / 500V <sub>AC</sub> , 100% P <sub>out_nom</sub>                                |
|                                                    | <i>avg.*</i> | 89.4 / 88.5%      | 400 / 500V <sub>AC</sub> , 25 .. 100% P <sub>out_nom</sub>                          |
| <b>Power losses</b>                                | <i>typ.</i>  | 11.4 / 11.6W      | 400 / 500V <sub>AC</sub> , 100% P <sub>out_nom</sub>                                |
|                                                    | <i>avg.*</i> | 13.6 / 15.0W      | 400 / 500V <sub>AC</sub> , 25 .. 100% P <sub>out_nom</sub>                          |
| <b>No-load consumption</b>                         | <i>max.</i>  | 1.7 / 2.1W        | 400 / 500V <sub>AC</sub> , 0% P <sub>out_nom</sub>                                  |
| <b>Stand-by consumption</b>                        | <i>max.</i>  | 1.2 / 1.6W        | 400 / 500V <sub>AC</sub> , Inhibit status HIGH (see Fig. 24)                        |

\*Average efficiency under 25%, 50%, 75% and 100% load conditions, according to eco-design requirements of EU commission regulation 2019/1782.

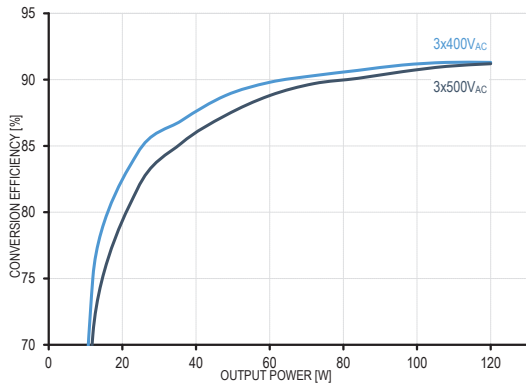


Fig. 8: Conversion efficiency in dependence of the output power

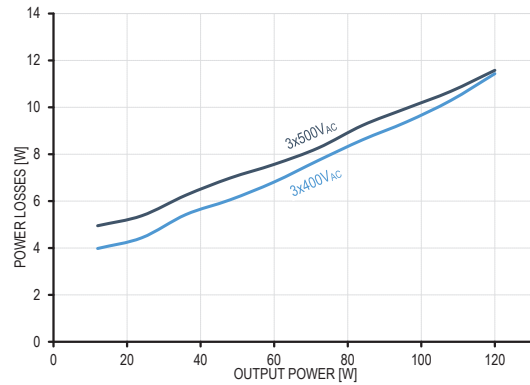


Fig. 9: Power losses in dependence of the output power

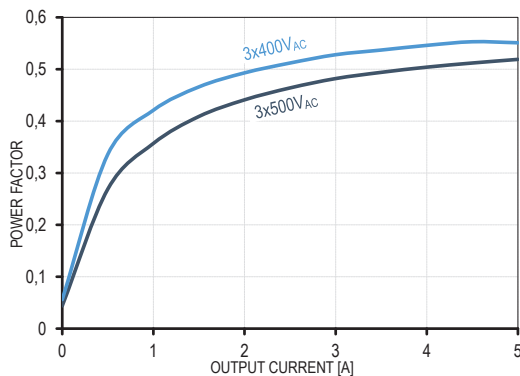


Fig. 10: Input power factor in dependence of the output current

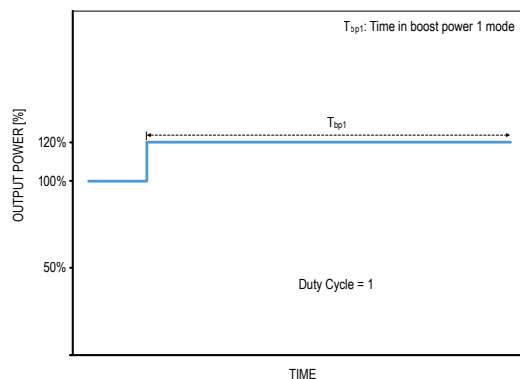


Fig. 11: Period and frequency of use of boost power 1 in normal mounting position

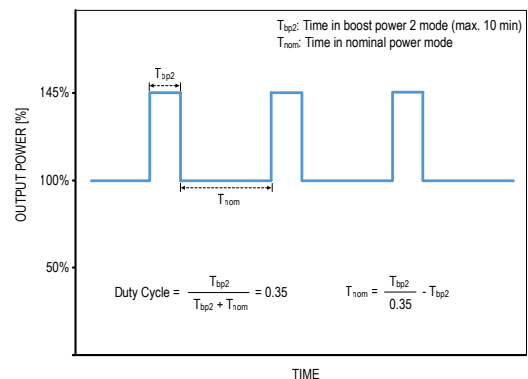


Fig. 12: Period and frequency of use of boost power 2 in normal mounting position

Unless otherwise stated, all values are specified in normal mounting position, at full load, nominal input and output voltages, 25°C (77°F) ambient temperature and a run-in time of 5 minutes.

## 5. Ambient conditions

|                                                         |             |                                                                            |                                                                                                                               |
|---------------------------------------------------------|-------------|----------------------------------------------------------------------------|-------------------------------------------------------------------------------------------------------------------------------|
| <b>Ambient storage temperature</b>                      | <i>max.</i> | -40 .. +85°C <sub>amb</sub> (-40 .. +185°F <sub>amb</sub> )                |                                                                                                                               |
| <b>Ambient operating temperature</b>                    | <i>max.</i> | -25 .. +70°C <sub>amb</sub> (-13 .. +158°F <sub>amb</sub> )                | normal mounting position,<br>>55°C <sub>amb</sub> (>131°F <sub>amb</sub> )<br>rotated ±90° around X or Y axis<br>rotated 180° |
|                                                         | <i>nom.</i> | -25 .. +55°C <sub>amb</sub> (-13 .. +131°F <sub>amb</sub> )                |                                                                                                                               |
| <b>Power derating*</b>                                  | <i>min.</i> | 0.8W/°C <sub>amb</sub> (0.44W/°F <sub>amb</sub> )                          | normal mounting position,<br>>55°C <sub>amb</sub> (>131°F <sub>amb</sub> )                                                    |
|                                                         | <i>min.</i> | 3.4W/°C <sub>amb</sub> (1.89W/°F <sub>amb</sub> )                          | rotated ±90° around X or Y axis,<br>>45°C <sub>amb</sub> (>113°F <sub>amb</sub> )                                             |
|                                                         | <i>min.</i> | 3.4W/°C <sub>amb</sub> (1.89W/°F <sub>amb</sub> )                          | rotated 180°, >45°C <sub>amb</sub> (>113°F <sub>amb</sub> )                                                                   |
| <b>Cooling concept</b>                                  |             | Natural convection                                                         |                                                                                                                               |
| <b>Relative storage humidity</b><br>IEC 60068-2-30      | <i>max.</i> | 95%                                                                        | non-condensing                                                                                                                |
| <b>Relative operation humidity</b><br>IEC 60068-2-30    | <i>max.</i> | 95%                                                                        | non-condensing                                                                                                                |
| <b>Operating altitude</b>                               | <i>nom.</i> | 3000mASL (9842ftASL)                                                       | not UL approved, reduced OVC                                                                                                  |
|                                                         | <i>max.</i> | 6000mASL (19685ftASL)                                                      |                                                                                                                               |
| <b>Percental power derating</b>                         | <i>min.</i> | 5% per 1000m (5% per 3281ft)                                               | >3000mASL (>9842ftASL)                                                                                                        |
| <b>Temperature derating</b>                             | <i>min.</i> | 5°C per 1000m (9°F per 3281ft)                                             | >3000mASL (>9842ftASL)                                                                                                        |
| <b>Atmospheric pressure</b>                             | <i>nom.</i> | 689hPa                                                                     |                                                                                                                               |
|                                                         | <i>max.</i> | 469 .. 1070hPa                                                             |                                                                                                                               |
| <b>Pollution degree</b><br>IEC 60664-1, IEC 62477-1     |             | 2                                                                          |                                                                                                                               |
| <b>Vibration sinusoidal</b><br>IEC 60068-2-6            |             | 2g / 10 .. 500Hz, 1 hour/direction X,Y,Z                                   | non-operating, mounted on DIN rail                                                                                            |
| <b>Shock test sinusoidal halfwave</b><br>IEC 60068-2-27 |             | 30g / 11ms ±5ms, 3 bumps/direction,<br>9 bumps total                       | non-operating, mounted on DIN rail                                                                                            |
| <b>Audible noise</b>                                    |             | Some audible noise may be heard during no load, overload or short circuit. |                                                                                                                               |

\*Not actively controlled

**i** For altitudes above 3000mASL (9842ftASL) the next lower OVC must be considered.

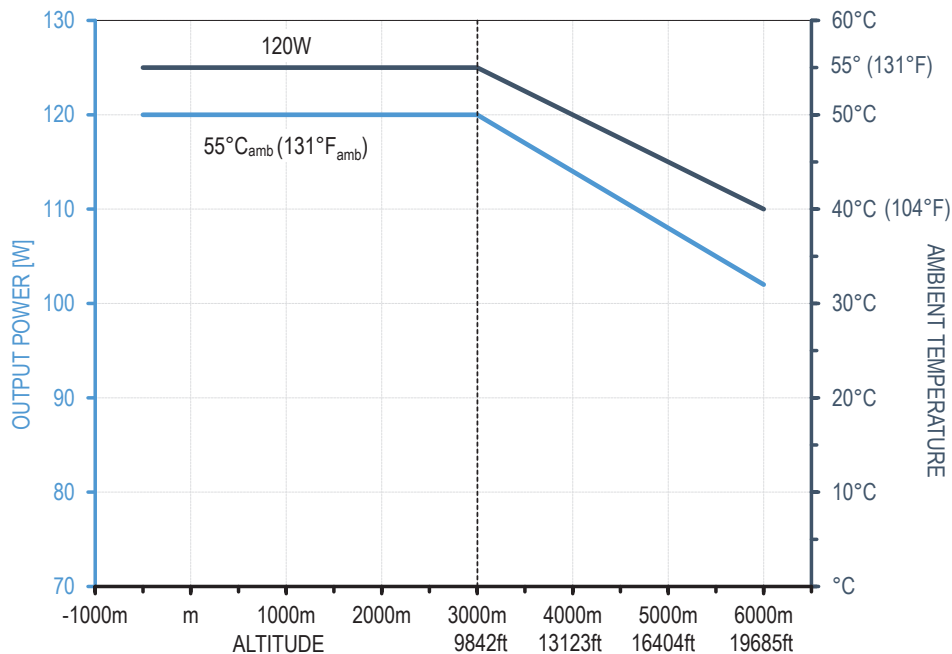


Fig. 13: Output power and ambient temperature derating at increasing altitudes

Unless otherwise stated, all values are specified in normal mounting position, at full load, nominal input and output voltages, 25°C (77°F) ambient temperature and a run-in time of 5 minutes.

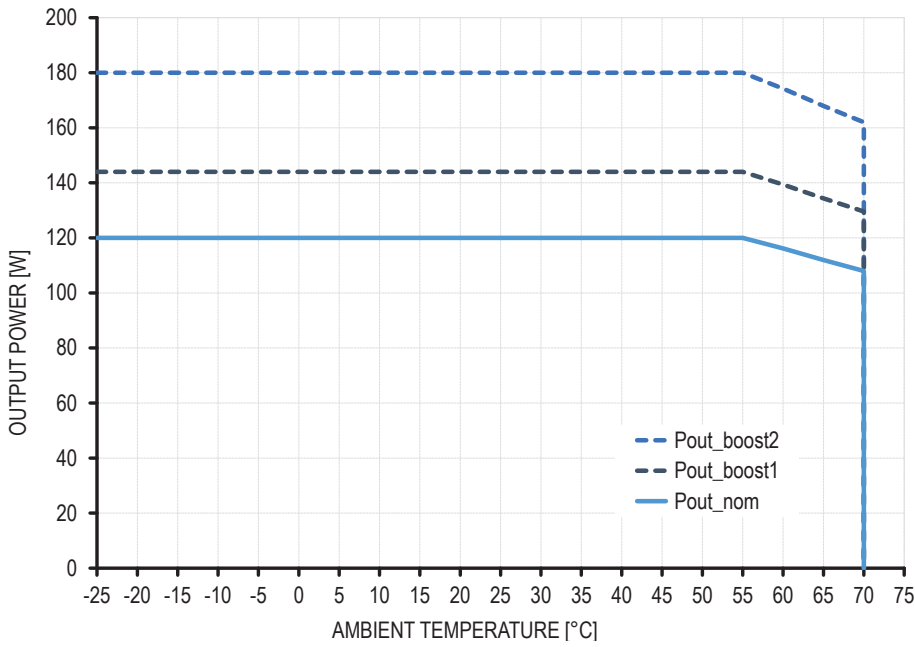


Fig. 14: Available output power in dependence of the ambient temperature for normal mounting position

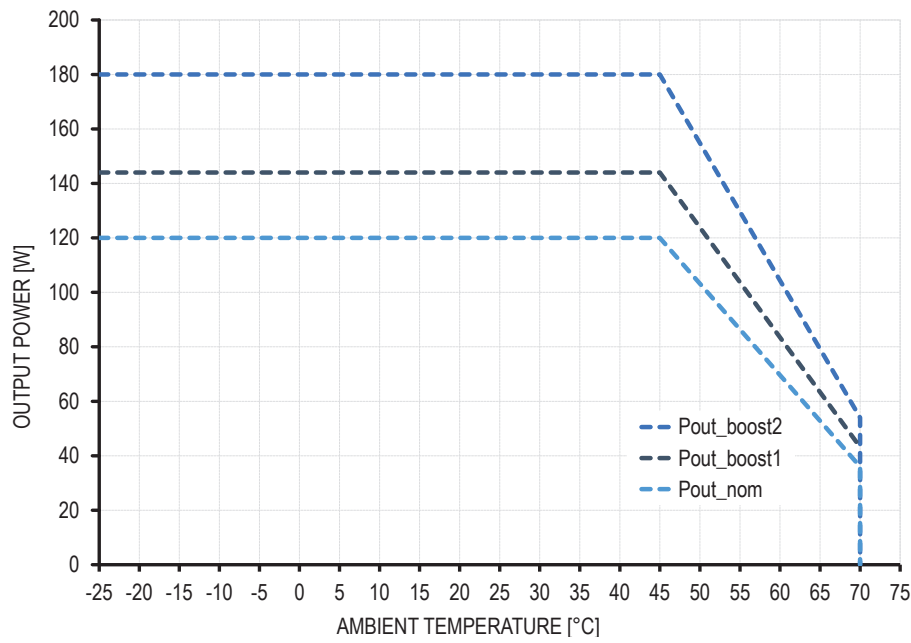
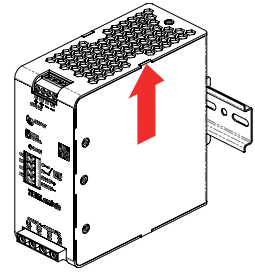
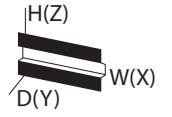
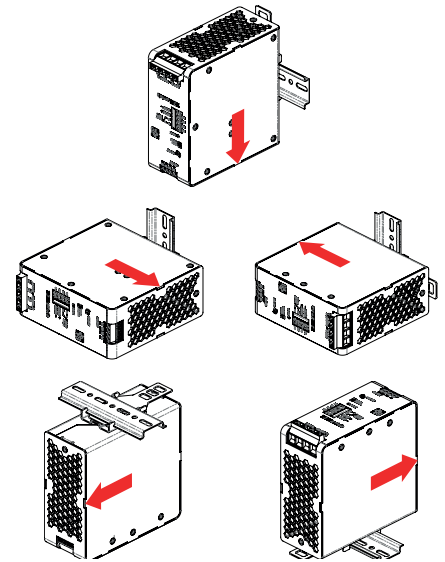



Fig. 15: Available output power in dependence of the ambient temperature for rotated mounting positions



## 6. Reliability and Service lifetime

|                          |             |                           |                                                                                    |
|--------------------------|-------------|---------------------------|------------------------------------------------------------------------------------|
| <b>Service lifetime</b>  | <i>min.</i> | 121 000 / 91 000hrs       | 400 / 500V <sub>AC</sub> , 100% P <sub>out_nom</sub> , 40°C <sub>Camb</sub> , 24/7 |
|                          | <i>min.</i> | 184 000 / 162 000hrs      | 400 / 500V <sub>AC</sub> , 75% P <sub>out_nom</sub> , 40°C <sub>Camb</sub> , 24/7  |
|                          | <i>min.</i> | 343 000 / 258 000hrs      | 400 / 500V <sub>AC</sub> , 100% P <sub>out_nom</sub> , 25°C <sub>Camb</sub> , 24/7 |
| <b>Early life MTBF</b>   | <i>min.</i> | 1.1M / 1.0M / 0.8M hrs    | 25 / 40 / 55°C <sub>Camb</sub> , 50% P <sub>out_nom</sub>                          |
| Telcordia SR-332 Issue 4 | <i>min.</i> | 0.79M / 0.65M / 0.55M hrs | 25 / 40 / 55°C <sub>Camb</sub> , 100% P <sub>out_nom</sub>                         |
| <b>Service life MTBF</b> | <i>min.</i> | 5.7M / 4.0M / 2.2M hrs    | 25 / 40 / 55°C <sub>Camb</sub> , 50% P <sub>out_nom</sub>                          |
| Telcordia SR-332 Issue 4 | <i>min.</i> | 1.8M / 1.4M / 0.9M hrs    | 25 / 40 / 55°C <sub>Camb</sub> , 100% P <sub>out_nom</sub>                         |

 The maximum service lifetime guaranteed by the eCap manufacturer is 131 400hrs (15 years). All values above are theoretically calculated.

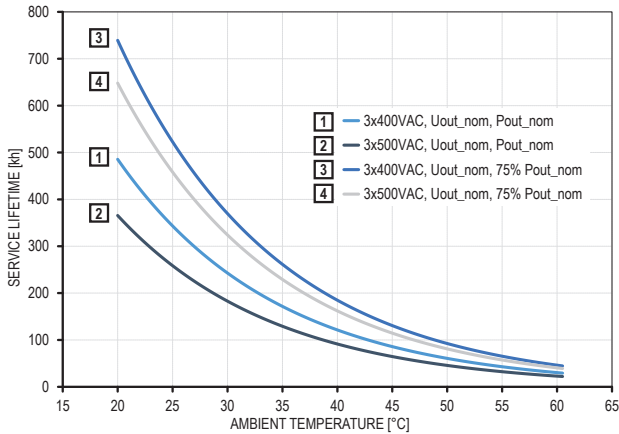


Fig. 16: Power supply service lifetime in dependence of ambient temperature

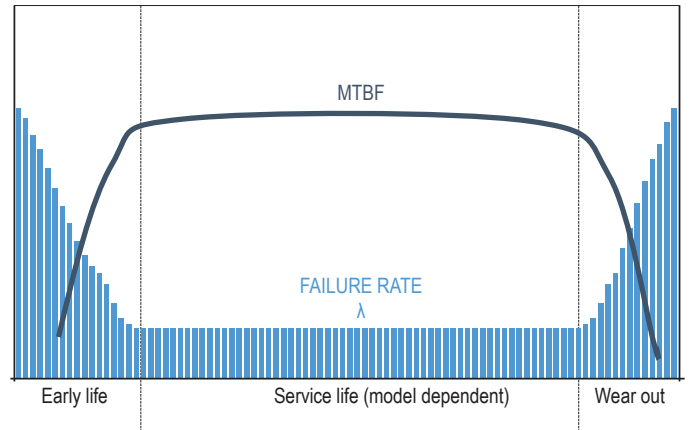


Fig. 17: Generic diagram visualising failure rate and MTBF values during the products life-cycle

## 7. Dimensions & Mechanical data

|                                     |                                              |                                                                       |
|-------------------------------------|----------------------------------------------|-----------------------------------------------------------------------|
| <b>Enclosure material</b>           | Aluminum                                     |                                                                       |
| <b>Cover material</b>               | Aluminum                                     |                                                                       |
| <b>Inflammability class</b>         | V0                                           | incl. connection terminals                                            |
| UL 94                               |                                              |                                                                       |
| <b>Width</b>                        | 55.0mm (2 <sup>11</sup> / <sub>64</sub> in)  |                                                                       |
| <b>Height</b>                       | 129.0mm (5 <sup>5</sup> / <sub>64</sub> in)  |                                                                       |
| <b>Depth</b>                        | w/o DIN rail                                 |                                                                       |
| Screw terminal model (-A0)          | 135.7mm (5 <sup>11</sup> / <sub>32</sub> in) |                                                                       |
| Push-in terminal model (-A1)        | 138.2mm (5 <sup>7</sup> / <sub>16</sub> in)  |                                                                       |
| <b>Weight</b>                       | 660g (1.46lb)                                |                                                                       |
| <b>Lever arm</b>                    | <i>max.</i>                                  | 62mm (2 <sup>7</sup> / <sub>16</sub> in) into the direction of Y axis |
| <b>Torsional moment on DIN rail</b> | <i>max.</i>                                  | 0.4Nm (3.55lb in) into the direction of Z axis                        |
| <b>Enclosure openings</b>           | <i>max.</i>                                  | 7mm (9/ <sub>32</sub> in)                                             |
| <b>DIN rail types</b>               | TH 35-7.5, TH 35-15                          |                                                                       |
| IEC 60715                           |                                              |                                                                       |

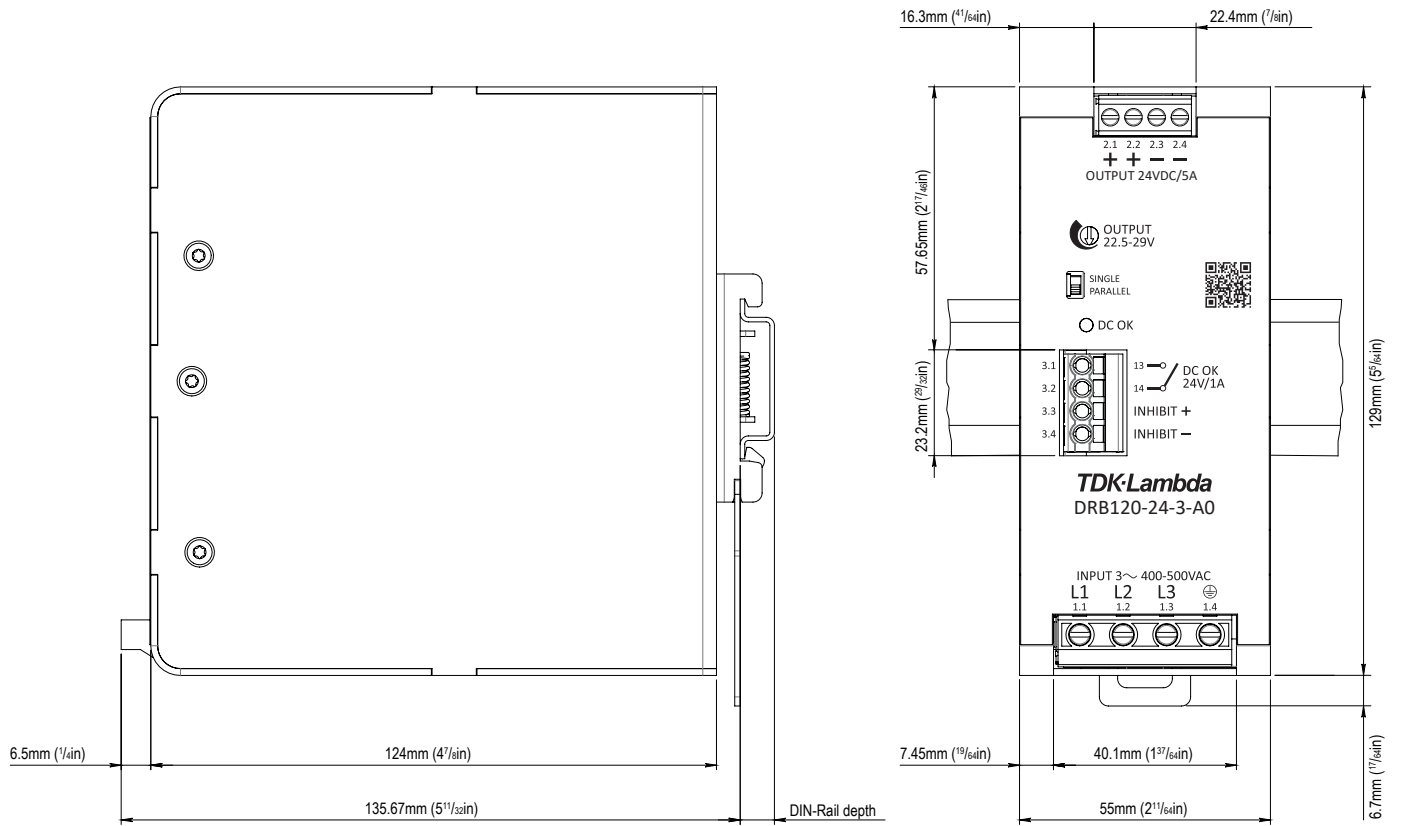


Fig. 18: Dimension drawing of DRB120-24-3-A0

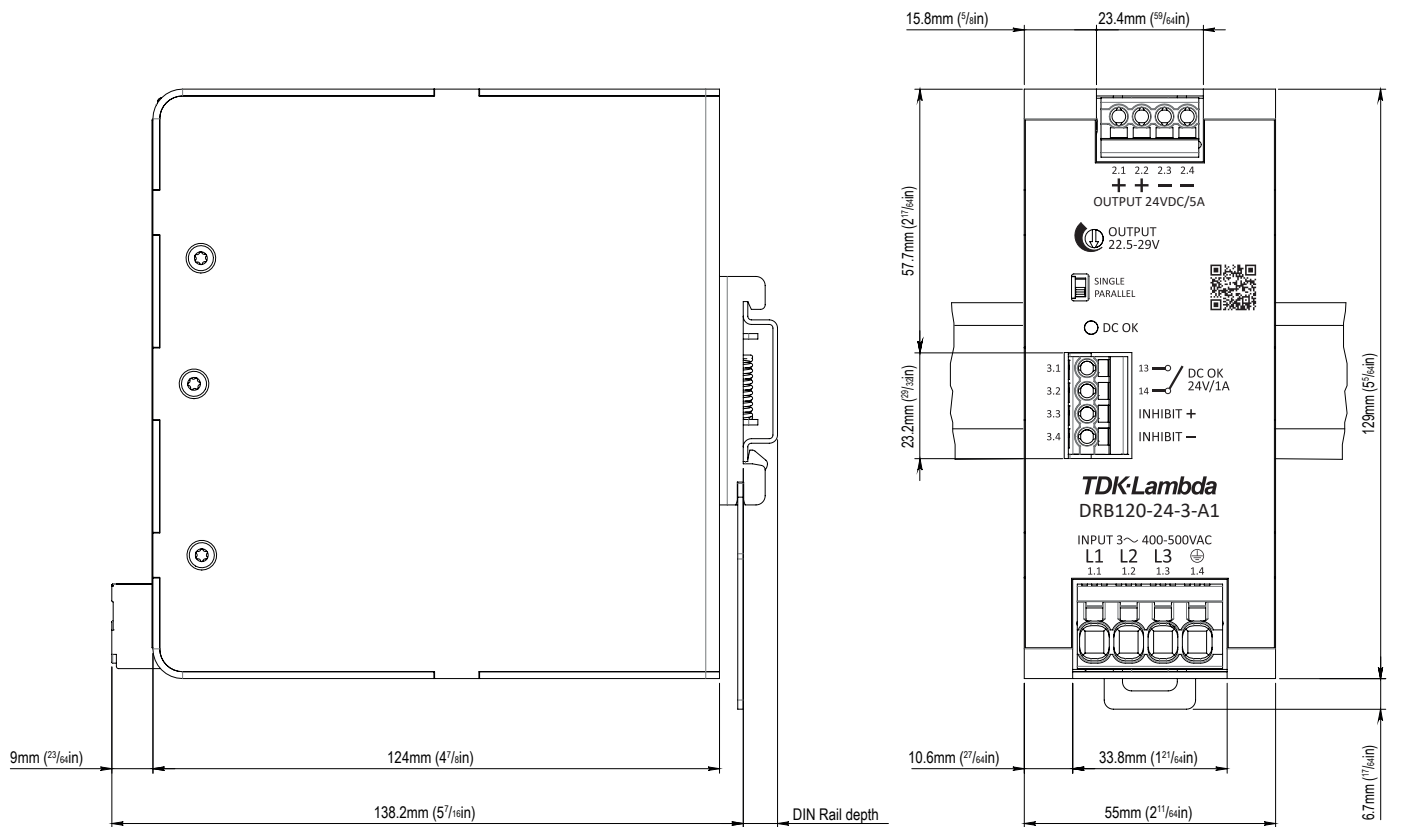


Fig. 19: Dimension drawing of DRB120-24-3-A1

## 8. Installation clearances

### Vertically (Z axis)

|             |          |      |                                           |
|-------------|----------|------|-------------------------------------------|
| Top side    | <b>1</b> | min. | 40mm (1 <sup>37</sup> / <sub>64</sub> in) |
| Bottom side | <b>2</b> | min. | 20mm (2 <sup>5</sup> / <sub>32</sub> in)  |

installation above heat sources not permitted

### Horizontally (X axis)

|                        |                     |      |                                         |
|------------------------|---------------------|------|-----------------------------------------|
| Left side / Right side | <b>3a</b> <b>4a</b> | min. | 5mm (1 <sup>3</sup> / <sub>64</sub> in) |
| Left side / Right side | <b>3b</b> <b>4b</b> | min. | 2mm (5 <sup>5</sup> / <sub>64</sub> in) |

to heat sources (same power rating)  
to passive components

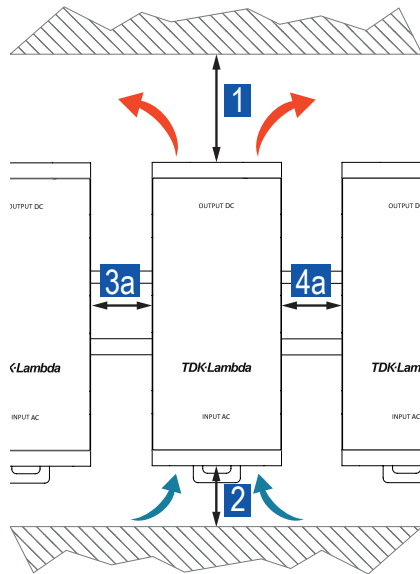


Fig. 20: Installation clearances to heat sources

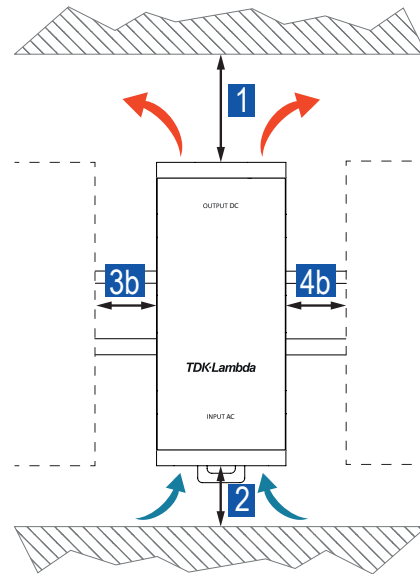


Fig. 21: Installation clearances to passive components

## 9. Wiring & Connection

### DRB120-24-3-A0

Terminal type  
Recommended screw driver

Solid wire  
Flexible wire  
Standard ferrules\*  
Uninsulated ferrules\*  
Stripping length  
Tightening torque

**Input**  
Slotted screw  
SL 0.8x4.0mm  
(SL 1<sup>1</sup>/<sub>32</sub> x 1<sup>1</sup>/<sub>8</sub>in)  
0.5-4.0mm<sup>2</sup> (16-10AWG)  
0.5-4.0mm<sup>2</sup> (16-10AWG)  
0.25-2.5mm<sup>2</sup>  
0.25-2.5mm<sup>2</sup>  
6-7mm (1<sup>5</sup>/<sub>64</sub> - 9<sup>1</sup>/<sub>32</sub>in)  
0.5-0.8Nm (4.4-7.0lb in)

**Output**  
Slotted screw  
SL 0.6x3.5mm  
(SL 1<sup>1</sup>/<sub>32</sub> x 9<sup>1</sup>/<sub>64</sub>in)  
0.5-2.5mm<sup>2</sup> (24-12AWG)  
0.5-2.5mm<sup>2</sup> (24-12AWG)  
0.25-1.5mm<sup>2</sup>  
0.25-1.5mm<sup>2</sup>  
7-8mm (9<sup>1</sup>/<sub>32</sub> - 5<sup>1</sup>/<sub>16</sub>in)  
0.5Nm (4.4lb in)

**Signaling**  
Push-in  
SL 0.5x3.0mm  
(SL 1<sup>1</sup>/<sub>64</sub> x 1<sup>1</sup>/<sub>8</sub>in)  
0.2-2.5mm<sup>2</sup> (26-12AWG)  
0.2-2.5mm<sup>2</sup> (26-12AWG)  
0.2-1.5mm<sup>2</sup>  
0.2-2.5mm<sup>2</sup>  
9-10mm (2<sup>3</sup>/<sub>64</sub> - 2<sup>5</sup>/<sub>64</sub>in)  
-

### DRB120-24-3-A1

Terminal type  
Recommended screw driver

Solid wire  
Flexible wire  
Standard ferrules\*  
Uninsulated ferrules\*  
Stripping length

**Input**  
Push-in  
SL 0.6x3.5mm  
(SL 1<sup>1</sup>/<sub>32</sub> x 9<sup>1</sup>/<sub>64</sub>in)  
0.2-10.0mm<sup>2</sup> (24-8AWG)  
0.2-6.0mm<sup>2</sup> (24-8AWG)  
0.25-4.0mm<sup>2</sup>  
0.25-6.0mm<sup>2</sup>  
15mm (1<sup>9</sup>/<sub>32</sub>in)

**Output**  
Push-in  
SL 0.5x3.0mm  
(SL 1<sup>1</sup>/<sub>64</sub> x 1<sup>1</sup>/<sub>8</sub>in)  
0.2-2.5mm<sup>2</sup> (26-12AWG)  
0.2-2.5mm<sup>2</sup> (26-12AWG)  
0.2-1.5mm<sup>2</sup>  
0.2-2.5mm<sup>2</sup>  
9-10mm (2<sup>3</sup>/<sub>64</sub> - 2<sup>5</sup>/<sub>64</sub>in)

**Signaling**  
Push-in  
SL 0.5x3.0mm  
(SL 1<sup>1</sup>/<sub>64</sub> x 1<sup>1</sup>/<sub>8</sub>in)  
0.2-2.5mm<sup>2</sup> (26-12AWG)  
0.2-2.5mm<sup>2</sup> (26-12AWG)  
0.2-1.5mm<sup>2</sup>  
0.2-2.5mm<sup>2</sup>  
9-10mm (2<sup>3</sup>/<sub>64</sub> - 2<sup>5</sup>/<sub>64</sub>in)

\*The ferrules must be selected to match the stripping length.

**i** In compliance to IEC/EN/UL 62368-1 (Ed.2) ferrules are required if flexible wires are used. In compliance with IEC/EN/UL 61010-1, 61010-2-201 appropriate copper wires must be used that withstand operating temperatures of at least 75°C (167°F) in ambients NOT exceeding 40°C (104°F), and 90°C (194°F) in ambients exceeding 40°C (104°F).

## 10. Signaling & Control

### DC OK

|                    |                          |                     |
|--------------------|--------------------------|---------------------|
| Type               | Relay contact            |                     |
| Characteristic     | N/O                      |                     |
| Closing            | $U_{out} > 95\% U_{set}$ | duration min. 100ms |
| Opening            | $U_{out} < 85\% U_{set}$ | duration min. 100ms |
| Resistive load     | <i>nom.</i> 1A           | 24V <sub>DC</sub>   |
|                    | <i>max.</i> 0.5A         | 60V <sub>DC</sub>   |
| Trigger hysteresis | <i>typ.</i> 0.6V         |                     |

### Remote ON/OFF

|                     |                    |  |
|---------------------|--------------------|--|
| Type                | Electrical contact |  |
| Characteristic      | Inhibit            |  |
| ON threshold        | <i>max.</i> 3V     |  |
| OFF threshold       | <i>min.</i> 4.5V   |  |
| Restart delay       | <i>max.</i> 6s     |  |
| Input voltage       | <i>max.</i> 30V    |  |
| Input current       | <i>max.</i> 10mA   |  |
| Reference potential | Isolated           |  |
| Parallel connection | yes                |  |
| Active discharging  | no                 |  |

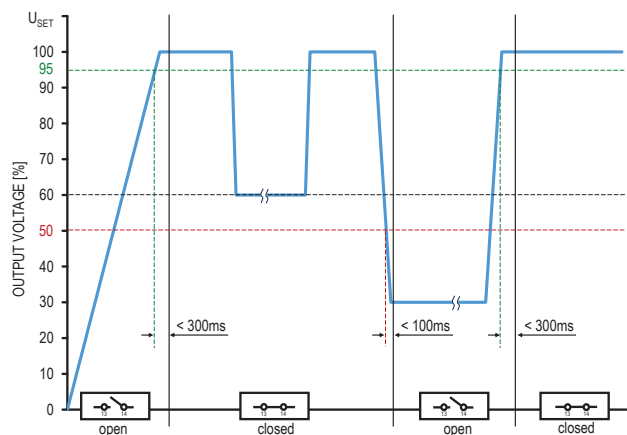


Fig. 22: DC-OK relay status in dependence of output voltage open changes

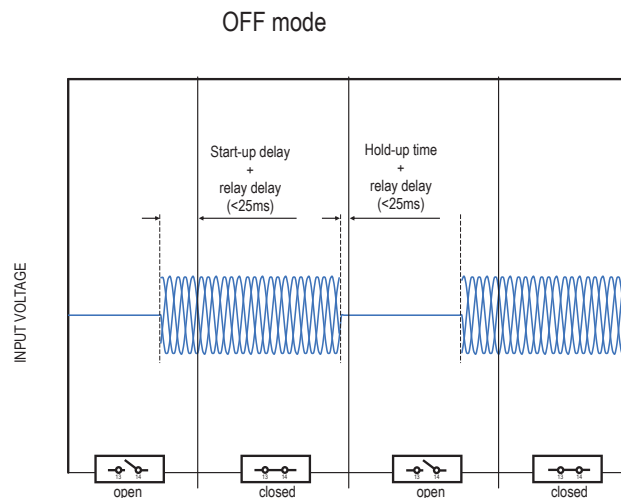


Fig. 23: DC-OK relay status in dependence of AC mains connection

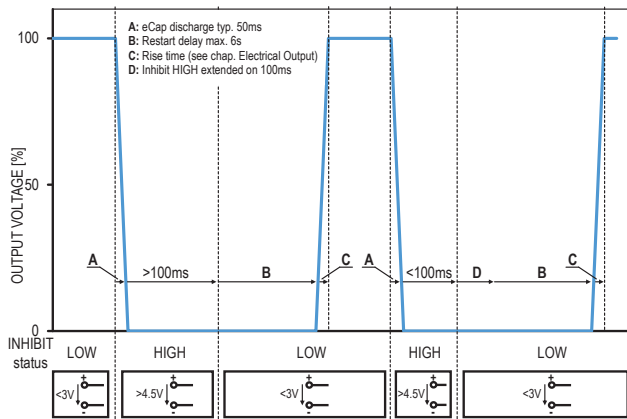


Fig. 24: Control of the output voltage in dependence of the inhibit relay status.

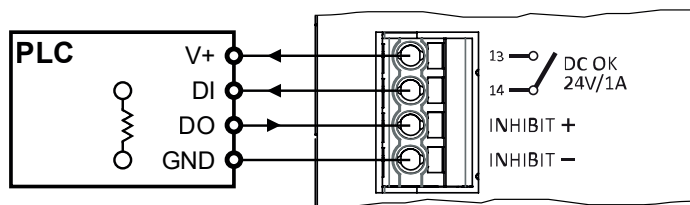
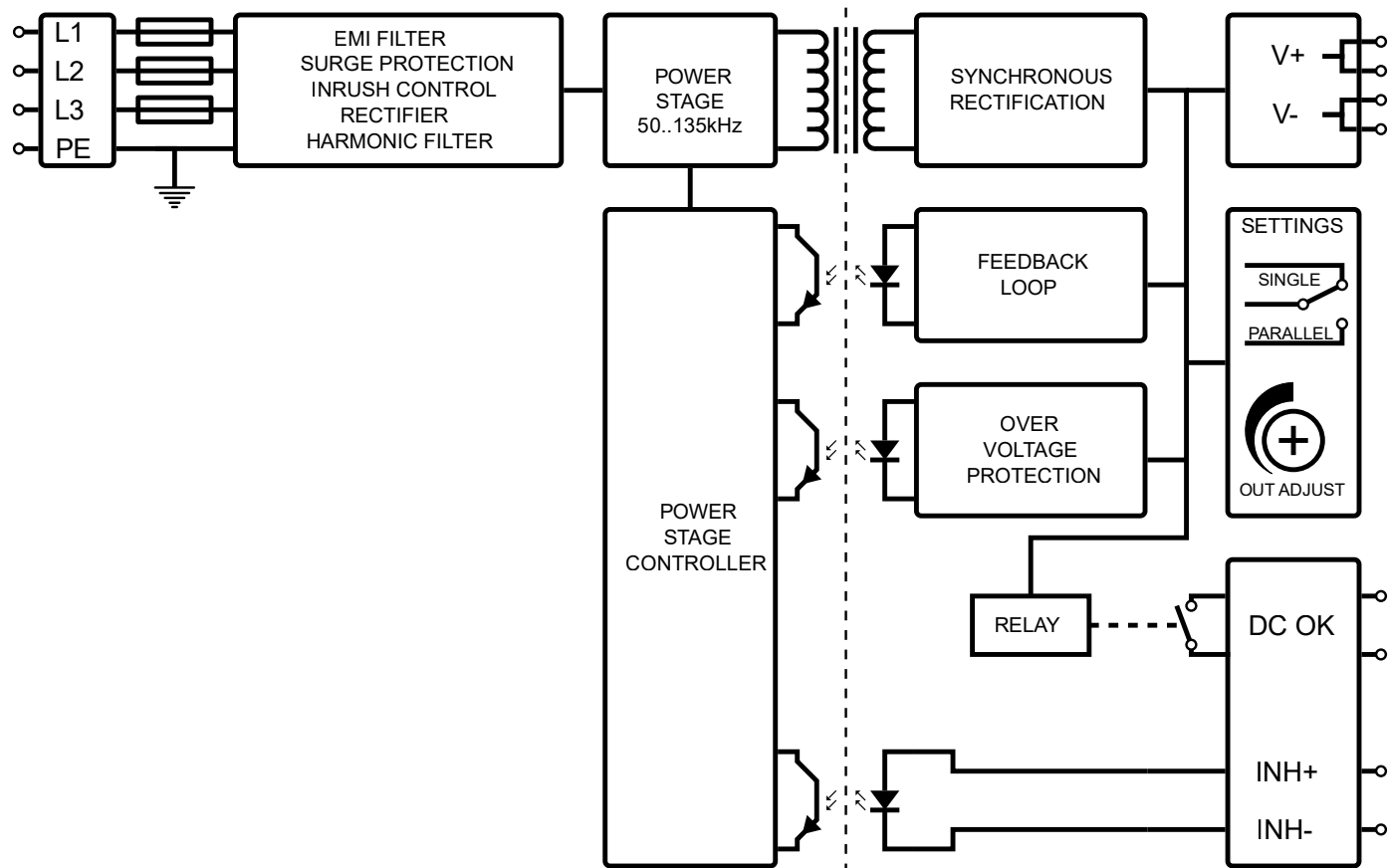


Fig. 25: Generic connection diagram of DC OK and INHIBIT contacts

Unless otherwise stated, all values are specified in normal mounting position, at full load, nominal input and output voltages, 25°C (77°F) ambient temperature and a run-in time of 5 minutes.



## 11. Block diagram



**i** Switching frequencies are depending on  $U_{in}$ ,  $U_{out}$  and  $I_{out}$ .

## 12. Device protection

|                                                      |                                |                                          |
|------------------------------------------------------|--------------------------------|------------------------------------------|
| <b>Ingress protection degree</b><br>IEC 60529        | IP 20                          |                                          |
| <b>NEMA classification</b><br>NEMA 250-2018          | NEMA 1                         |                                          |
| <b>Output overtemperature protection (OTP)</b>       | Yes, with auto-recovery        |                                          |
| <b>Output overvoltage protection (OVP)</b>           | <i>max.</i>                    | 32.7V <sub>DC</sub> , with auto-recovery |
| <b>Undervoltage protection threshold (UVP)</b>       | <i>max.</i>                    | 270V <sub>AC</sub>                       |
| <b>Output overcurrent protection (OCP)</b>           | <i>min.</i>                    | 134%, with auto-recovery                 |
| <b>Integrated input fuse</b>                         | 3x T3.15A at L pins            | not DC capable, not user replaceable     |
| <b>Recommended MCB types</b><br>IEC 60898-1, UL 1077 | B or C characteristic, 6/8/10A |                                          |
| <b>Transient protection</b>                          |                                |                                          |
| 1st level                                            | MOV (Metal Oxide Varistor)     |                                          |
| 2nd level                                            | GDT (Gas Discharge Tube)       |                                          |

**i** When installed in an end-product, the maximum branch circuit rating must not exceed 20A (IEC/UL 62368-1 Ed.2). If the upstream supply provides a higher ampacity than 20A, an external protection device is required.

### 13. Electrical Safety

|                                                                 |                                        |                                                                                      |
|-----------------------------------------------------------------|----------------------------------------|--------------------------------------------------------------------------------------|
| <b>Class of protection</b><br>IEC 61140                         | I                                      | PE connection required                                                               |
| <b>Electrical energy source classification</b><br>IEC 62368-1   | ES1                                    |                                                                                      |
| <b>Safety Extra Low Voltage</b><br>IEC 61010-2-201, IEC 60950-1 | SELV                                   |                                                                                      |
| <b>Protective Extra Low Voltage</b><br>IEC 60204-1              | PELV                                   | Output must be earthed in the end application                                        |
| <b>Protective ground resistance</b>                             | <i>max.</i> 100mΩ                      |                                                                                      |
| <b>Ground leakage current</b><br>IEC 60990                      | <i>max.</i> 0.9mA<br><i>max.</i> 1.0mA | TN/TT mains, 3x575V <sub>AC</sub> , 50Hz<br>TN/TT mains, 3x575V <sub>AC</sub> , 60Hz |
| <b>Touch current</b><br>IEC 60990                               | <i>max.</i> 40μA<br><i>max.</i> 50μA   | TN/TT mains, 3x575V <sub>AC</sub> , 50Hz<br>TN/TT mains, 3x575V <sub>AC</sub> , 60Hz |
| <b>Overtoltage category</b><br>IEC 61010-1, IEC 62368-1 (Ed.2)  | II                                     | <3000mASL (<9842ftASL)                                                               |

#### 13.1 Overtoltage category design

|                         |         |                       |         |                          |         |         |         |
|-------------------------|---------|-----------------------|---------|--------------------------|---------|---------|---------|
| Underlying IEC standard | 61010-1 | 62368-1 <sup>1)</sup> | 60950-1 | 61558-2-16 <sup>2)</sup> | 62477-1 | 61204-7 | 60664-1 |
| Mains transient voltage | II      | II                    | II      | III                      | III     | III     | III     |
| Creepage & Clearance    | III     | II                    | III     | II                       | III     | III     | III     |

<sup>1)</sup>Edition 2

<sup>2)</sup> not applicable along with IEC 61204-7

#### 13.2 Insulation strength

|                  |          | Type test (60s)<br>IEC 61010-1 | Routine test (3s)<br>IEC 61010-1 | Field test (3s)     |
|------------------|----------|--------------------------------|----------------------------------|---------------------|
| Input / Output   | <b>A</b> | 3510V <sub>AC</sub>            | 3510V <sub>AC</sub>              | 3510V <sub>AC</sub> |
| Input / PE       | <b>B</b> | 2210V <sub>AC</sub>            | 2210V <sub>AC</sub>              | 2210V <sub>AC</sub> |
| Input / DC OK    | <b>C</b> | 3510V <sub>AC</sub>            |                                  | 3510V <sub>AC</sub> |
| Input / INHIBIT  | <b>D</b> | 3510V <sub>AC</sub>            |                                  | 3510V <sub>AC</sub> |
| Output / PE      | <b>E</b> | 1390V <sub>AC</sub>            | 1390V <sub>AC</sub>              | 1390V <sub>AC</sub> |
| Output / DC OK   | <b>F</b> | 1390V <sub>AC</sub>            |                                  | 1390V <sub>AC</sub> |
| Output / INHIBIT | <b>G</b> | 1390V <sub>AC</sub>            |                                  | 1390V <sub>AC</sub> |
| DC OK / INHIBIT  | <b>H</b> | 1390V <sub>AC</sub>            |                                  | 1390V <sub>AC</sub> |

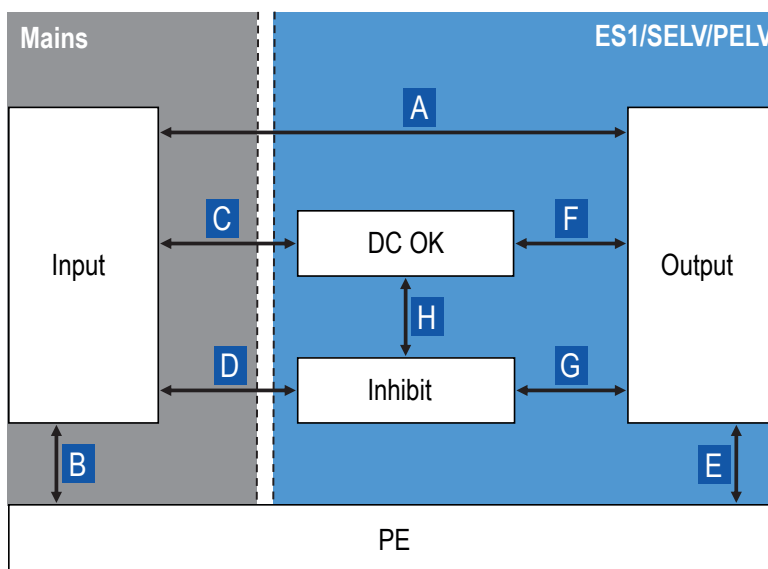


Fig. 26: Schematic of the insulation paths

### 13.3 HIPOT test

Apart from routine and type test, the end user might need to check the insulation strength during the final inspection and testing to guarantee the electrical safety of the end application. Therefore, a high-voltage test (HIPOT test) can be performed in the field. The following conditions must be observed:

- ▶ As every HIPOT test causes stress on the power supplies safety insulation, avoid frequent HIPOT testing or excessive test voltages
- ▶ The test voltages and durations, as indicated under „13.2 Insulation strength“ on page 17, must not be exceeded
- ▶ The test voltages rise and fall time should be between 2 and 4 seconds
- ▶ For the HIPOT test of the insulation path (B) between Input and PE, the gas discharge tube (GDT) must be disconnected

#### Disconnection of the GDT:

- 1) Completely remove the connection screw (marked with an arrow) with a Torx X10. (see Fig. 27)
- 2) Keep the screw in a safe place.
- 3) After completion of testing, reconnect the GDT only with the original screw to avoid risk of electrical shock or damage.
- 4) Fasten the screw with a Torx X10 not exceeding a tightening torque of 0.7 Nm.

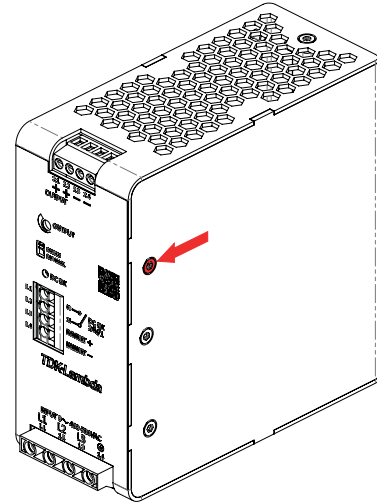


Fig. 27: Position of the connection screw for the GDT

- i** According to EN 60204-1 (Safety of machinery - Electrical equipment of machines), an individual HIPOT test of the power supply isn't required. During the HIPOT test of the end application, the power supply can be disconnected and only installed once the test has been completed.

## 14. Electromagnetic immunity

Investigated under generic standards IEC/EN 61000-6-2 (2019) - Immunity for industrial environments.

|                                                                                       |        |             |                                   |
|---------------------------------------------------------------------------------------|--------|-------------|-----------------------------------|
| <b>Electrostatic contact discharge</b><br>IEC/EN 61000-4-2                            | 4kV    | Criterion A | 330Ω / 150pF                      |
| <b>Electrostatic air discharge</b><br>IEC/EN 61000-4-2                                | 8kV    | Criterion A | 330Ω / 150pF                      |
| <b>Electromagnetic RF field<sup>1)</sup></b><br>IEC/EN 61000-4-3                      | 10V/m  | Criterion A | 80MHz..1GHz                       |
|                                                                                       | 3V/m   | Criterion A | 1.4GHz..2GHz                      |
|                                                                                       | 1V/m   | Criterion A | 2GHz..2.7GHz                      |
| <b>Fast transients (burst)</b><br>IEC/EN 61000-4-4                                    |        |             |                                   |
| Input <sup>2)</sup>                                                                   | 4kV    | Criterion A | 5kHz                              |
| Output                                                                                | 2kV    | Criterion A | 5kHz                              |
| Signal contact <sup>2)</sup>                                                          | 2kV    | Criterion A | 5kHz                              |
| <b>Surge voltages</b><br>IEC/EN 61000-4-5                                             |        |             |                                   |
| Input symmetrical (L-L) <sup>2)</sup>                                                 | 2kV    | Criterion A | 2Ω+18μF, for φ = 0°,90°,180°,270° |
| Input asymmetrical (L-PE) <sup>2)</sup>                                               | 4kV    | Criterion A | 12Ω+9μF, for φ = 0°,90°,180°,270° |
| Output symmetrical (L-L)                                                              | 0.5kV  | Criterion A | 2Ω+18μF                           |
| Output asymmetrical (L-PE)                                                            | 1kV    | Criterion A | 12Ω+9μF                           |
| Signal line asymmetrical (Signal-PE)                                                  | 1kV    | Criterion A | 42Ω+0.5μF                         |
| <b>Conducted disturbances Input, signal line, PE<sup>3)</sup></b><br>IEC/EN 61000-4-6 | 10V    | Criterion A | 150kHz..80MHz                     |
| <b>Power frequency magnetic field</b><br>IEC/EN 61000-4-8                             | 30A/m  | Criterion A | 50Hz, 60s each axis (x, y, z)     |
| <b>Voltage dips/sags and interruptions</b><br>IEC/EN 61000-4-11, 61000-4-34           |        |             |                                   |
| SEMI F47-0706                                                                         | 500ms  | Criterion A | 400V <sub>AC</sub> at 70%, 50Hz   |
|                                                                                       | 200ms  | Criterion A | 400V <sub>AC</sub> at 40%, 50Hz   |
|                                                                                       | 20ms   | Criterion A | 400V <sub>AC</sub> at 0%, 50Hz    |
|                                                                                       | 5000ms | Criterion C | 400V <sub>AC</sub> at 0%, 50Hz    |
|                                                                                       | 1000ms | Criterion A | 400V <sub>AC</sub> at 80%, 50Hz   |
|                                                                                       | 500ms  | Criterion A | 400V <sub>AC</sub> at 70%, 50Hz   |
|                                                                                       | 200ms  | Criterion A | 400V <sub>AC</sub> at 50%, 50Hz   |
|                                                                                       | 20ms   | Criterion A | 400V <sub>AC</sub> at 0%, 50Hz    |

<sup>1)</sup> Except for the ITU broadcast frequency bands 87..107MHz, 174..230MHz and 470..790MHz, where the level shall be 3V/m.

<sup>2)</sup> Exceeds the requirements of the European Low Voltage Directive 2014/35/EU

<sup>3)</sup> Except for the ITU broadcast frequency bands 47..68MHz, where the level shall be 3V.

### Performance level definitions:

#### Criterion A:

The device continues operation as intended during and after the test. The specified performance level accepts a change of ±10% on nominal output voltage and current. There is neither a violation of the performance level, nor a loss of function if the device is used as intended.

#### Criterion B:

The device continues operation as intended after the test. The specified performance level accepts a change of ±10% on nominal output voltage and current. There is neither a violation of the performance level, nor a loss of function if the device is used as intended. During the test a violation of the performance level is allowed.

#### Criterion C:




A temporary loss of function is allowed, provided the function is auto-recoverable, or can be restored by the operation of the controls.

## 15. Electromagnetic emission

Investigated under generic standards IEC/EN 61000-6-3 (2007) + A1 (2011) / AC (2012) - Emission standard for residential, commercial and light-industrial environments.

|                                                                                    |                |               |
|------------------------------------------------------------------------------------|----------------|---------------|
| <b>Conducted noise emission input</b><br>EN 55011, CISPR 11                        | Class B        | 150kHz..30MHz |
| <b>Radiated noise emission input</b><br>EN 55011, CISPR 11                         | Class B        | 30MHz..1GHz   |
| <b>Harmonic currents input</b><br>IEC/EN 61000-3-2                                 | Class A        | 0kHz..2kHz    |
| <b>Total harmonic distortion (THD) input</b><br>IEC/EN 61000-3-2                   | 155% per phase | Order 1..40   |
| <b>Voltage changes, voltage fluctuations and flicker input</b><br>IEC/EN 61000-3-3 | PASS           | 50Hz          |

## 16. Certifications & Approvals

|                                                                                     |                                                 |                                                                                                                                                                           |
|-------------------------------------------------------------------------------------|-------------------------------------------------|---------------------------------------------------------------------------------------------------------------------------------------------------------------------------|
|    | UL 61010-1<br>CAN/CSA-C22.2 No. 61010-1         | Safety requirements for electrical equipment for measurement, control, and laboratory use - Part 1: General requirements                                                  |
|                                                                                     | UL 61010-2-201<br>CAN/CSA-C22.2 No. 61010-2-201 | Safety requirements for electrical equipment for measurement, control, and laboratory use - Part 2-201: Particular requirements for control equipment<br>UL file: E356563 |
|  | IEC EN 61010-1                                  | Safety requirements for electrical equipment for measurement, control, and laboratory use - Part 1: General requirements                                                  |
|                                                                                     | IEC EN 61010-2-201                              | Safety requirements for electrical equipment for measurement, control, and laboratory use - Part 2-201: Particular requirements for control equipment                     |
|                                                                                     | IEC EN 62368-1 (Ed.2)                           | Audio/video, information and communication technology equipment - Part 1: Safety requirements                                                                             |
|  | UL 62368-1 (Ed. 2)                              | Audio/video, information and communication technology equipment - Part 1: Safety requirements<br>UL file: E511889                                                         |

## 17. Designed to meet

The safety design of the product complies additionally with the following harmonised standards.

|                   |                                                                                                                                                                                                                                                  |
|-------------------|--------------------------------------------------------------------------------------------------------------------------------------------------------------------------------------------------------------------------------------------------|
| IEC 60950-1       | Information technology equipment - Safety - Part 1: General requirements                                                                                                                                                                         |
| IEC/EN 62477-1    | Safety requirements for power electronic converter systems and equipment - Part 1: General                                                                                                                                                       |
| IEC/EN 61204-7    | Low-voltage switch mode power supplies - Part 7: Safety requirements                                                                                                                                                                             |
| IEC/EN 61558-2-16 | Safety of transformers, reactors, power supply units and similar products for supply voltages up to 1100 V - Part 2-16: Particular requirements and tests for switch mode power supply units and transformers for switch mode power supply units |
| EN 60204-1        | Safety of machinery - Electrical equipment of machines - Part 1: General requirements                                                                                                                                                            |

## 18. Compliance & Registration



Conformity with health, safety, and environmental protection standards for products sold within the European Economic Area (EEA).



UKCA (UK Conformity Assessed) is the product marking that is used for certain goods being placed on the United Kingdom market.



Registration mark to indicate products conformity to the technical regulations of the Eurasian Customs Union (Russia, Belarus, Armenia, Kazakhstan and Kyrgyzstan).



The Waste Electrical and Electronic Equipment Directive (WEEE Directive) is the European Community Directive 2012/19/EU on collection, recycling and recovery targets for all types of electrical goods.



The Restriction of Hazardous Substances Directive 2011/65/EU (RoHS 2) regulates the use of certain hazardous substances in electrical and electronic equipment.



Registration, Evaluation, Authorisation and Restriction of Chemicals (REACH) is a European Union regulation that addresses the production and use of chemical substances, and their potential impacts on both human health and the environment.

## 19. Typical use-cases

### 19.1 Parallel Operation

For the purpose of power increase, power supplies can be paralleled. Furthermore, a paralleling can be done for limited redundancy purposes in order to backup malfunctions occurring on the primary (AC) side of the power supplies. The following measures must be taken into account:

- ▶ Only power supplies of the same series and power rating must be paralleled
- ▶ The dip switch on the front side of the power supplies must be switched to PARALLEL
- ▶ Load wiring shall be identical in terms of length and cross section
- ▶ The output voltage of the power supplies shall be adjusted to the same value ( $\pm 100\text{mV}$ )
- ▶ All paralleled power supplies must be operated under the same ambient conditions
- ▶ The power supplies must not be operated under any condition which requires a power derating (e.g. altitudes above 3000mASL (9842ftASL), temperatures above  $55^\circ\text{C}_{\text{amb}}$  ( $131^\circ\text{F}_{\text{amb}}$ ), mounting orientations others than the normal mounting position, etc.)
- ▶ If more than three power supplies are paralleled, each output must be protected by a decoupling module (e.g. TDK-Lambda DRM series), MCB, diode, or fuse
- ▶ The increased installation clearances must be considered (see „8. Installation clearances“ on page 14)

**i** In parallel operations the values of output load regulation, inrush currents, EMI, harmonic and leakage currents will increase.

**i** When changing the operating mode between SINGLE and PARALLEL, the mains voltage must be disconnected.

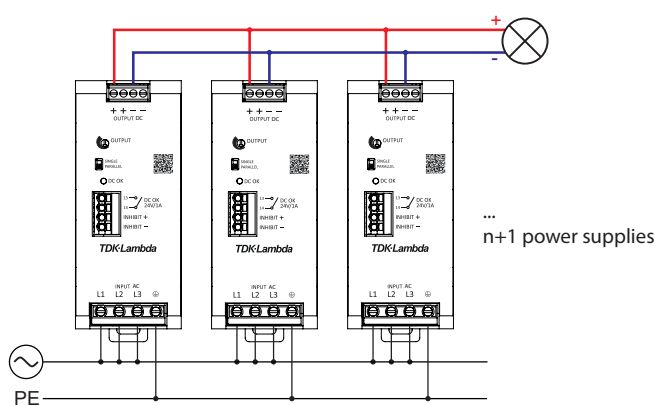


Fig. 28: Connection scheme of n+1 power supplies paralleled for the purpose of power increase

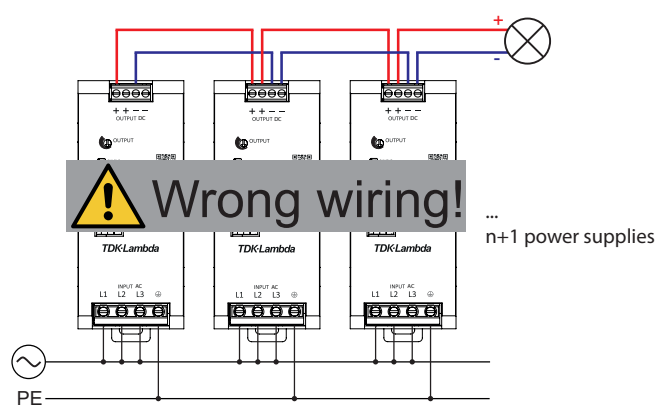


Fig. 29: Example of a wrong connection scheme

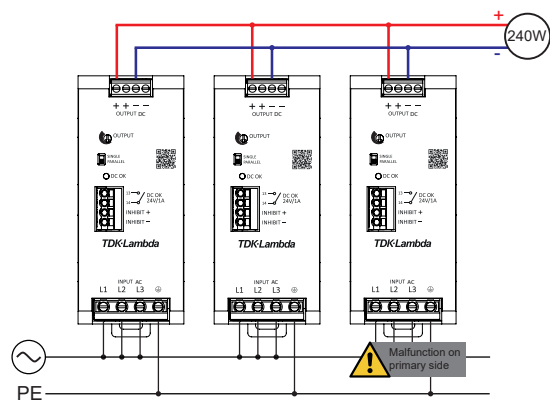


Fig. 30: Connection scheme of n+1 power supplies paralleled for the purpose of a 240W limited redundancy

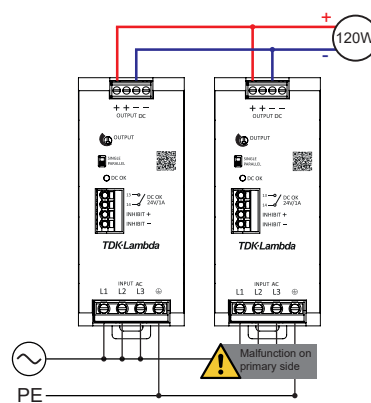


Fig. 31: Connection scheme of 1+1 power supplies paralleled for the purpose of a 120W limited redundancy

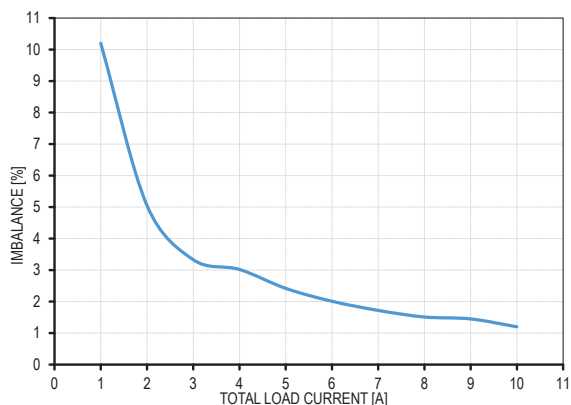


Fig. 32: Typical load sharing behaviour of two power supplies in parallel mode

Unless otherwise stated, all values are specified in normal mounting position, at full load, nominal input and output voltages,  $25^\circ\text{C}$  ( $77^\circ\text{F}$ ) ambient temperature and a run-in time of 5 minutes.



## 19.2 Series operation

For the purpose of higher load voltages, power supplies can be connected in series. The following measures must be taken into account:

- ▶ The output voltage sum must not exceed 250V<sub>DC</sub>
- ▶ If the output voltage sum exceeds 60V<sub>DC</sub>, a safeguard against unintended touching must be considered
- ▶ Only power supplies of the same series and power rating must be connected in series
- ▶ The dip switch on the front side of the power supplies must be switched to SINGLE
- ▶ All power supplies in series must be operated under the same ambient conditions
- ▶ The power supplies must not be operated under any condition which requires a power derating (e.g. altitudes above 3000mASL (9842ftASL), temperatures above 55°C<sub>amb</sub> (131°F<sub>amb</sub>), mounting orientations others than the normal mounting position, etc.)
- ▶ The increased installation clearances must be considered (see „8. Installation clearances“)

**i** In series operations the values of output load regulation, inrush currents, EMI, harmonic and leakage currents will increase.

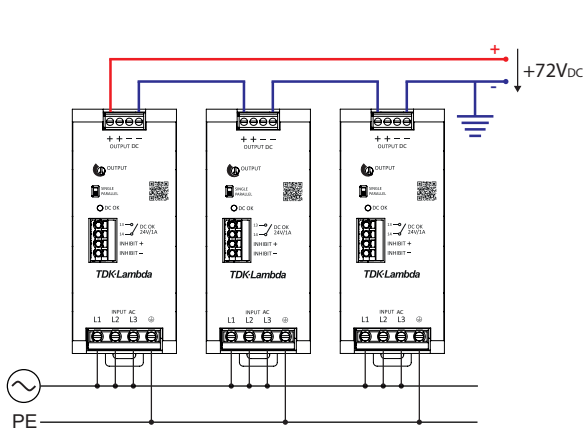


Fig. 33: Connection scheme for series operation with positive voltage level

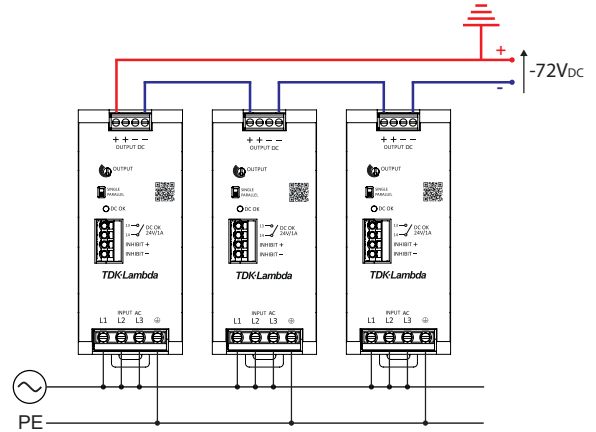


Fig. 34: Connection scheme for series operation with negative voltage level

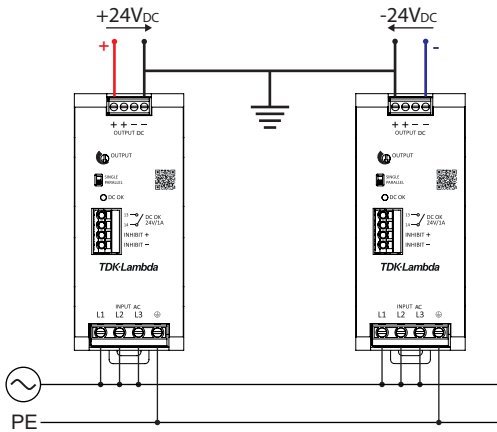


Fig. 35: Connection scheme for series operation with centre tap

### 19.3 Two-phase operation

The device is capable to run continuously on two phases of a 3-phase power grid. A power derating under nominal conditions is not required. All conditions associated with a power derating must be carefully considered.

Please note if running on two phases:

- ▶ Power losses will increase and can no longer be guaranteed as specified for 3-phase operation
- ▶ Hold-up times as specified for 3-phase operation can no longer be guaranteed
- ▶ The device will go into OTP mode if operating permanently at input voltages below 350V<sub>AC</sub>
- ▶ The device is no more compliant with IEC/EN 61000-3-2 harmonic current limits
- ▶ Safety approvals under UL 61010-1, -2-201 and UL 62368-1 (Ed.2) are no more applicable

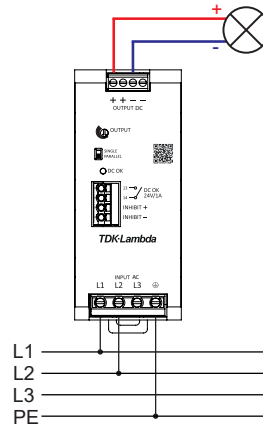


Fig. 36: Connection diagram for 2-phase operation



## TDK-Lambda France SAS

Tel: +33 1 60 12 71 65  
tff.fr-powersolutions@tdk.com  
www.emea.lambda.tdk.com/fr



## Italy Sales Office

Tel: +39 02 61 29 38 63  
tff.it-powersolutions@tdk.com  
www.emea.lambda.tdk.com/it



## Netherlands

tff.nl-powersolutions@tdk.com  
www.emea.lambda.tdk.com/nl



## TDK-Lambda Germany GmbH

Tel: +49 7841 666 0  
tfg.powersolutions@tdk.com  
www.emea.lambda.tdk.com/de



## Austria Sales Office

Tel: +43 2256 655 84  
tfg.at-powersolutions@tdk.com  
www.emea.lambda.tdk.com/at



## Switzerland Sales Office

Tel: +41 44 850 53 53  
tfg.ch-powersolutions@tdk.com  
www.emea.lambda.tdk.com/ch



## Nordic Sales Office

Tel: +45 8853 8086  
tfg.dk-powersolutions@tdk.com  
www.emea.lambda.tdk.com/dk



## TDK-Lambda UK Ltd.

Tel: +44 (0) 12 71 85 66 66  
tlu.powersolutions@tdk.com  
www.emea.lambda.tdk.com/uk



## TDK-Lambda Ltd.

Tel: +9 723 902 4333  
tli.powersolutions@tdk.com  
www.emea.lambda.tdk.com/il-en



## TDK-Lambda Americas

Tel: +1 800-LAMBDA-4 or 1-800-526-2324  
tla.powersolutions@tdk.com  
www.us.lambda.tdk.com



## TDK Electronics do Brasil Ltda

Tel: +55 11 3289-9599  
sales.br@tdk-electronics.tdk.com  
www.tdk-electronics.tdk.com/en



## TDK-Lambda Corporation

Tel: +81-3-6778-1113  
www.jp.lambda.tdk.com



## TDK-Lambda (China) Electronics Co. Ltd.

Tel: +86 21 6485-0777  
tlc.powersolutions@tdk.com  
www.lambda.tdk.com.cn



## TDK-Lambda Singapore Pte Ltd.

Tel: +65 6251 7211  
tfs.marketing@tdk.com  
www.sg.lambda.tdk.com



## TDK India Private Limited, Power Supply Division

Tel: +91 80 4039-0660  
mathew.philip@tdk.com  
www.sg.lambda.tdk.com

For further information please visit:  
[emea.lambda.tdk.com/dr3-3-phase](http://emea.lambda.tdk.com/dr3-3-phase)

