

RWS1000B/RF

A273-01-01/RF-B

SPECIFICATIONS (1/2)

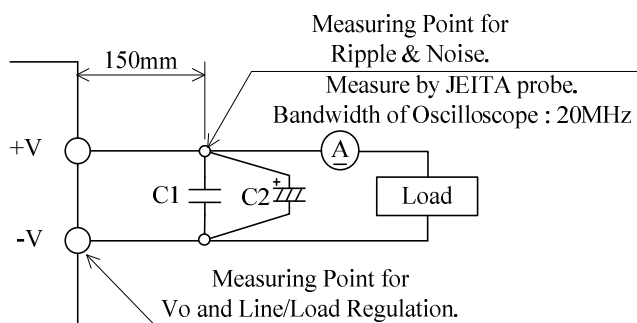
ITEMS		MODEL	RWS1000B -12/RF	RWS1000B -15/RF	RWS1000B -24/RF	RWS1000B -36/RF	RWS1000B -48/RF
1	Nominal Output Voltage	V	12	15	24	36	48
2	Maximum Output Current	A	84	67	42	28	21
3	Maximum Output Power	W	1008	1005	1008	1008	1008
4	Efficiency (Typ) (*13)	100/115VAC	% 81/82	% 81/82	% 84/85	% 84/85	% 83/85
		200/230VAC	% 85/85	% 85/85	% 88/88	% 88/88	% 87/88
5	Input Voltage Range (*2)(*11)	-	85 - 265VAC (47 - 63Hz) or 120 - 340VDC				
6	Input Current (Typ) (*13)	100/115VAC	A 13	/ 11			
		200/230VAC	A 7	/ 5.5			
7	Inrush Current (Typ) (*1)(*3)	-	20A / 40A at 1st Inrush , 60A / 60A at 2nd Inrush				
8	PFHC	-	Designed to meet IEC61000-3-2				
9	Power Factor (Typ) (*1)	-	0.98/0.95				
10	Output Voltage Range	V	10.2 - 13.8	12.8 - 17.2	20.4 - 28.8	30.6 - 41.4	40.8 - 57.6
11	Maximum Ripple & Noise (*4)	0≤Ta≤70°C	mV 150	150	180	250	300
		-20≤Ta<0°C	mV 180	180	200	300	400
12	Maximum Line Regulation (*5)(*11)	mV	48	60	96	144	192
13	Maximum Load Regulation (*6)(*11)	mV	96	120	144	216	288
14	Temperature Coefficient	-	Less than 0.02% / °C				
15	Over Current Protection (*7)	A	88.2 -	70.4 -	44.1 -	29.4 -	22.1 -
16	Over Voltage Protection (*8)	V	14.4 - 17.4	18.0 - 21.8	30.0 - 36.0	43.2 - 52.2	60.0 - 72.0
17	Hold-up Time (Typ) (*1)	-	20ms				
18	Leakage Current (*9)	-	Less than 1.2mA				
19	Remote Sensing (*14)	-	Possible				
20	Monitoring Signal	-	-				
21	Remote Control	-	-				
22	Parallel Operation	-	-				
23	Series Operation (*14)	-	Possible				
24	Operating Temperature (*10)(*11)	-	-20 - +70°C (-20 - +50°C:100%, +60°C:75%, +70°C:50%)				
25	Operating Humidity	-	20 - 90%RH (No Condensing)				
26	Storage Temperature	-	-30 - +75°C				
27	Storage Humidity	-	10 - 90%RH (No Condensing)				
28	Cooling	-	Forced Air Cooling (Intake fan)				
29	Withstand Voltage	-	Input - FG : 2kVAC (20mA), Input - Output : 4kVAC (20mA) Output - FG : 1.5kVAC (20mA) for 1min				
30	Isolation Resistance	-	More than 100MΩ at 25°C and 70%RH Output to Chassis : 500VDC				
31	Vibration	-	At no operating, 10 - 55Hz (Sweep for 1min) 19.6m/s ² Constant, X,Y,Z 1hour each.				
32	Shock	-	Less than 196m/s ²				
33	Safety	-	Approved by UL62368-1, CSA62368-1, EN62368-1, UL60950-1, CSA60950-1, EN60950-1 (Expire date of 60950-1 : 20/12/2020) Designed to meet Den-an Appendix 12 (J60950-1).				
34	Line DIP	-	Designed to meet SEMI-F47 (200VAC Line only)				
35	Conducted Emission (*12)	-	Designed to meet EN55011/EN55032-B, FCC-B, VCCI-B				
36	Radiated Emission (*12)	-	Designed to meet EN55011/EN55032-B, FCC-B, VCCI-B				
37	Immunity (*12)	-	Designed to meet IEC61000-6-2 IEC61000-4-2, -3, -4, -5, -6, -8, -11				
38	Weight (Typ)	g	2000				
39	Size (W x H x D)	mm	127 x 63 x 198 (Refer to Outline Drawing)				

*Read instruction manual carefully, before using the power supply unit.

=NOTES=

- *1. At 100VAC/200VAC, Ta=25°C, nominal output voltage and maximum output power.
- *2. For cases where conformance to various safety specs (UL, CSA, EN) are required, to be described as 100 - 240VAC(50-60Hz).
- *3. Not applicable for the in-rush current to Noise Filter for less than 0.2ms.
- *4. Please refer to Fig. A for measurement of Vo, line & load regulation and ripple voltage.
- *5. 85 - 265VAC, constant load.
- *6. No load-Full load, constant input voltage.
- *7. Constant current limit with automatic recovery. Over current condition for more than 5 seconds will cause the output to shut down. Avoid to operate at over load or short circuit condition.
- *8. OVP circuit will shut down output, manual reset (Re power on).
- *9. Measured by the each measuring method of UL, CSA, EN and Den-an(at 60Hz), Ta=25°C.
- *10. Output Derating
 - Refer to LOAD vs. AMBIENT TEMPERATURE(A273-01-02/RF-).
 - Load (%) is percent of maximum output power or maximum output current, do not exceed its derating of maximum load.
- *11. Output derating needed when input voltage less than 90VAC. Refer to LOAD vs. INPUT VOLTAGE(A273-01-02/RF-).
- *12. The power supply is considered a component which will be installed into a final equipment.
The final equipment should be re-evaluated that it meets EMC directives.
- *13. Ta=25°C, nominal output voltage and maximum output power.
- *14. Refer to instruction manual(A273-04-01).

Fig.A



C1 : Film Cap. 0.1μF
C2 : Elect. Cap. 47μF

RWS1000B/RF

OUTPUT DERATING

A273-01-02/RF

Ta (°C)	LOAD (%)
	MOUNTING A-D
-20 - +50	100
60	75
70	50

INPUT VOLTAGE (VAC)	LOAD (%)
	MOUNTING A-D
85	80
90 - 265	100

