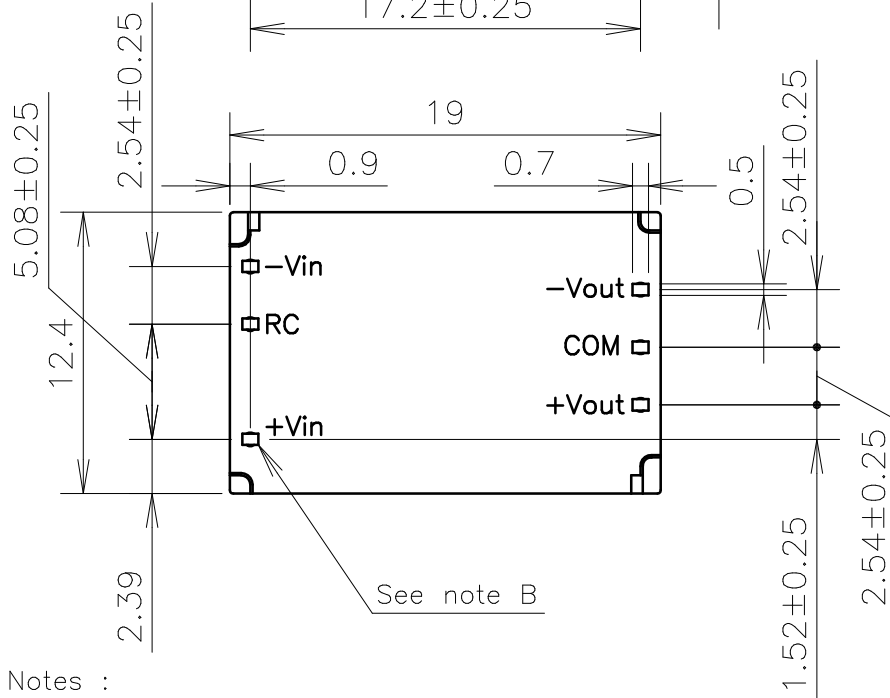
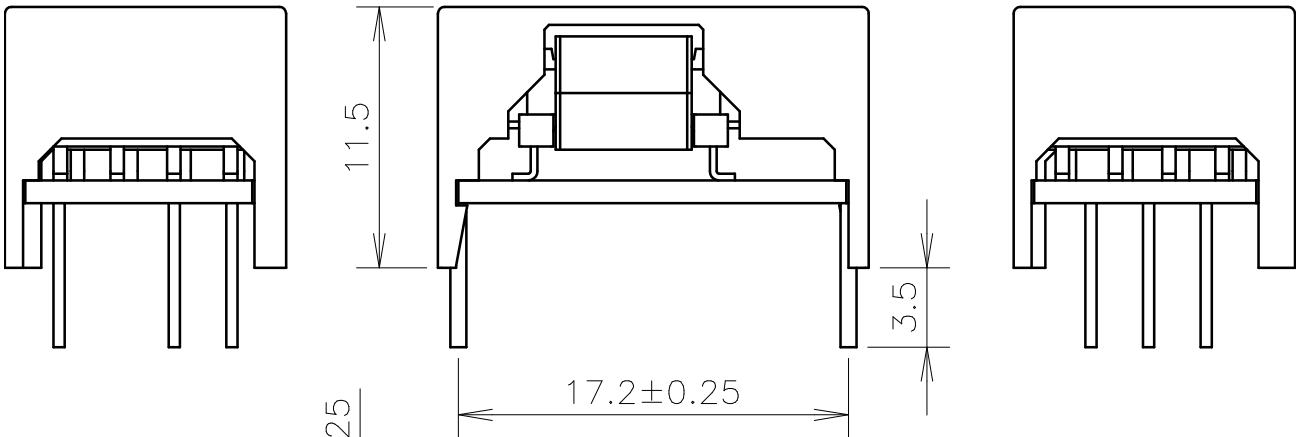


See Note A



Notes :

A: Model name, country of manufacture, Lot No., Serial No. and safety marking (For only approved products) are shown here.

B: Input, Output and signal terminals : 6-0.7x0.5±0.05

C: Unless otherwise specified dimensional tolerance : ±0.5

(unit : mm)

MODEL NAME	CCG6-xx-xxDF CCG10-xx-xxDF
<b>TDK-Lambda</b>	

C301-02-01B