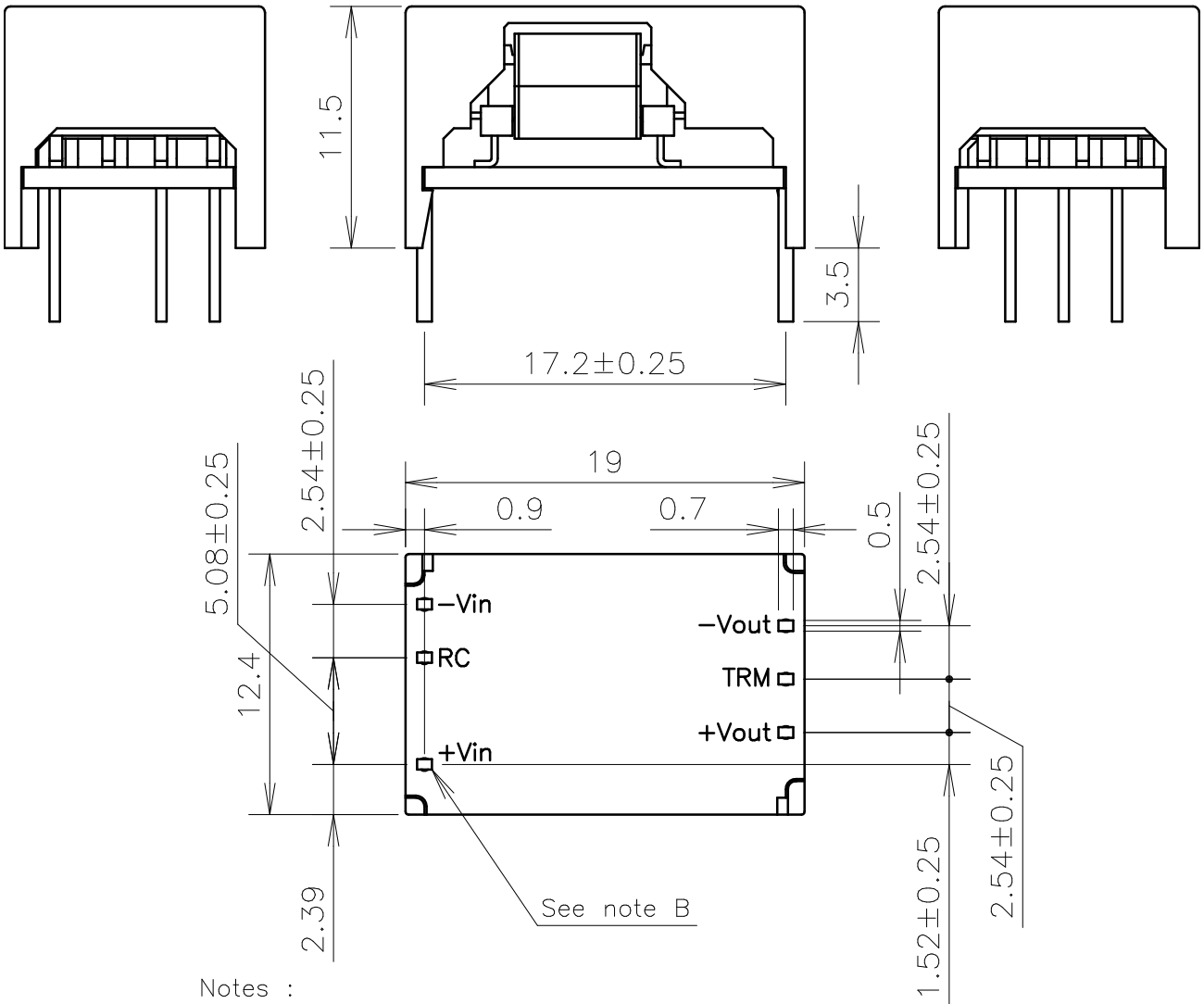


See Note A



Notes :

- A: Model name, country of manufacture, Lot No., Serial No. and safety marking (For only approved products) are shown here.
- B: Input, Output and signal terminals : 6-0.7x0.5±0.05
- C: Unless otherwise specified dimensional tolerance : ±0.5

(unit : mm)

MODEL NAME	CCG6-xx-xxSF CCG10-xx-xxSF
TDK-Lambda	

C298-02-01B