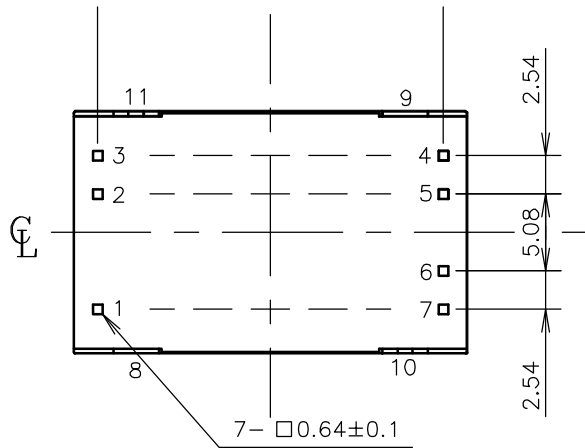
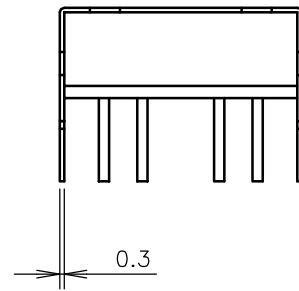
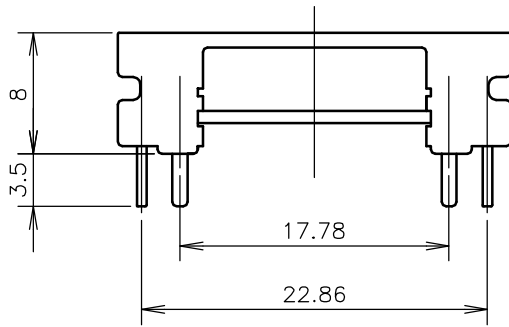


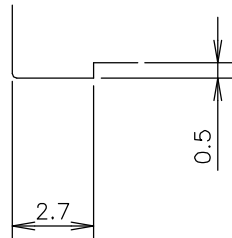
GENERAL TOLERANCE : ± 0.5



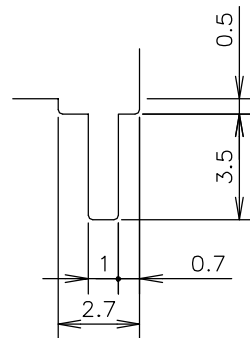
TERMINAL ASSIGNMENTS

- 1 +Vin
- 2 CNT
- 3 -Vin
- 4 NC
- 5 -Vout
- 6 TRM
- 7 +Vout

8,9



10,11



(unit : mm)

MODEL NAME	PSS3
DENSEI-LAMBDA	

C187-02-01C