

ROHS COMPLIANCE

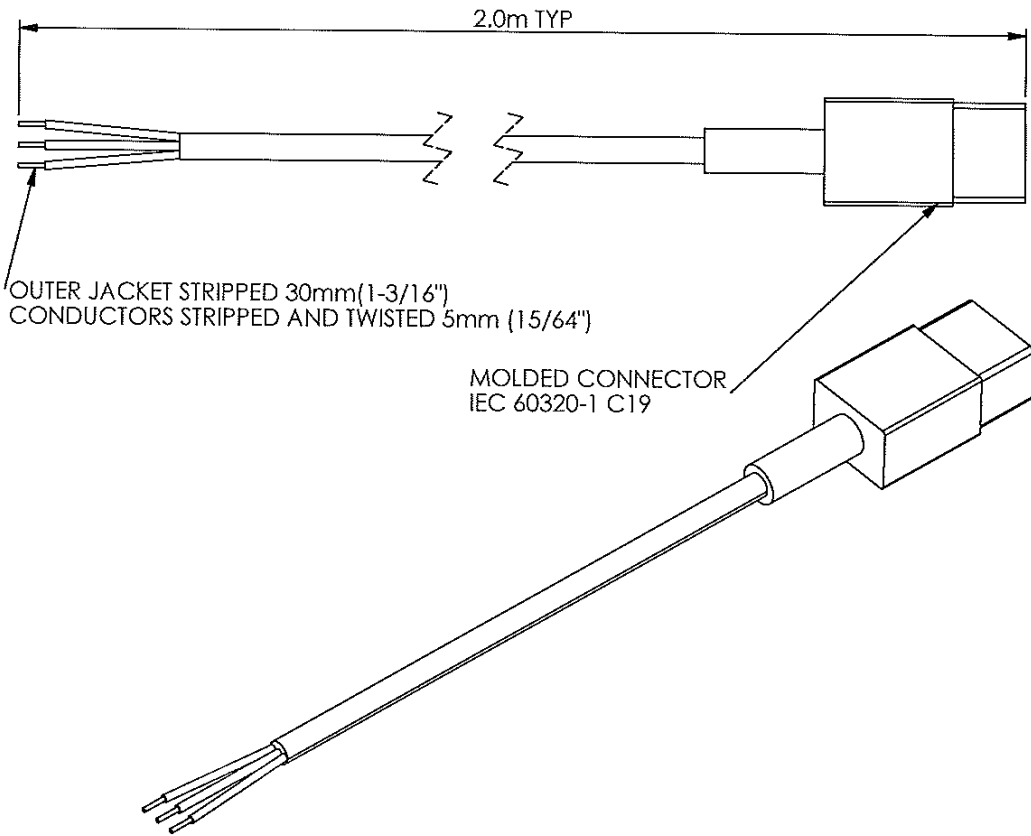
CONTROLLED COPY
15.03.12
N.L.I. R&D

20A 125V OPEN CORD SET (USA)

1. UNSHIELDED, 3 CONDUCTORS
2. RATING MIN.: 20A, 125V
3. POWER CORD LENGTH: 2m TYP.
4. JACKET COLOR: BLACK.
5. TEMPERATURE RATING MIN.: 75°C. $\triangle 3$
6. COMPONENTS DESCRIPTION:

1. CABLE:
 - TYPE: SJT, SJTO
 - CONDUCTORS CROSS-SECTION AREA MIN.: 2.5mm²/12AWG
 - RATED MIN.: 20A, 125V;
 - SAFETY MARKING: UL MARK/CSA
- $\triangle 1$ 2. CONNECTOR:
 - IEC 60320-1 CERTIFIED, UL/CSA APPROVED, TYPE C19;
 - RATED MIN.: 20A, 125V;
 - SAFETY MARKING: CERTIFICATION AGENCY MARK(S), UL/CSA MARKS, RATING, TYPE

$\triangle 2$



NOTE:
ROHS COMPLIANCE
REFER TO D-L GROUP
GREEN PROCUREMENT
GUIDELINE : DL-EMS-010_

C	$\triangle 2 \sim \triangle 3$ REV. B3	28.FEB.2012	<i>[Signature]</i>	Kami S.
B	$\triangle 1$ REV. B2	26.JAN.2012		
A	NEW DRAWING	17.JAN.2012		
D	CONTENTS	DATE	ENGR	CHK

DWG	S.MIKI 28.1.2012	SHEET OF		MATERIALS		TITLE	20A 125V OPEN CORD SET (USA)
ENGR	S.MIKI 28.2.2012	1	1				
CHK	<i>[Signature]</i> 28.02.12	SCALE	NONE	FINISH		DRAWING No.	IA706-81-12 - C
APPD	Kami S. Feb-28-12	UNITS	mm				
ISSUED	Feb-28-12					TDK-Lambda	