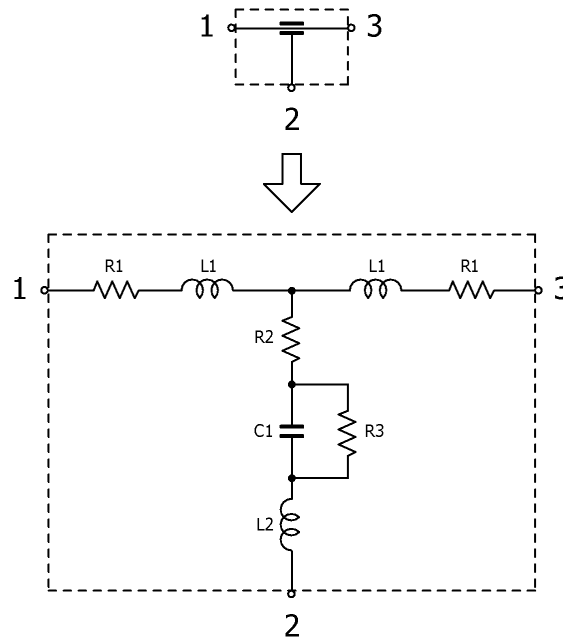


3-Terminal Filters

Jan. 12, 2024
Simple Model

Automotive Grade for General Use / YFF21AC series (1/2)

Circuit Diagram



Circuit Parameters

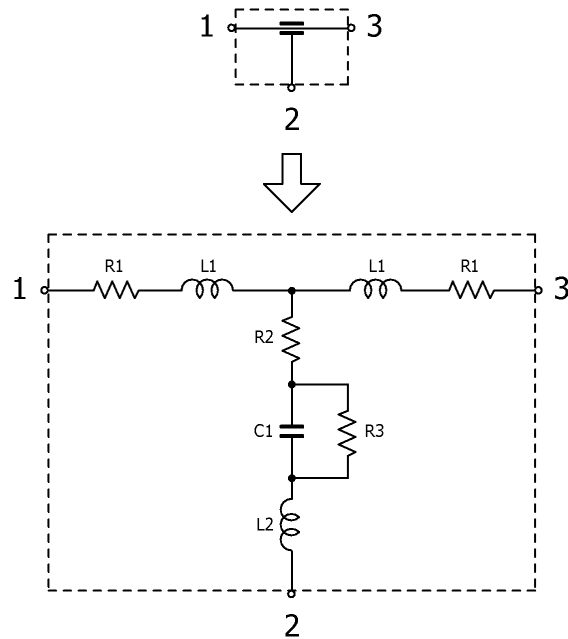
Part No.	C1[pF]	L1[nH]	L2[nH]	R1[ohm]	R2[ohm]	R3[Gohm]
YFF21AC1C474MT0Y0N	482,000	0.157	0.025	0.0021	0.0144	0.213
YFF21AC1C474MT0Y9N	482,000	0.157	0.025	0.0021	0.0144	0.213
YFF21AC1E104MT0Y0N	103,000	0.170	0.037	0.0051	0.0233	5.00
YFF21AC1E104MT0Y9N	103,000	0.170	0.037	0.0051	0.0233	5.00
YFF21AC1E473MT0Y0N	48,900	0.152	0.029	0.0050	0.0292	10.0
YFF21AC1E473MT0Y9N	48,900	0.152	0.029	0.0050	0.0292	10.0
YFF21AC1E223MT0Y0N	22,700	0.201	0.050	0.0120	0.0275	10.0
YFF21AC1E223MT0Y9N	22,700	0.201	0.050	0.0120	0.0275	10.0
YFF21AC1E103MT0Y0N	9,940	0.262	0.053	0.0200	0.0373	10.0
YFF21AC1E103MT0Y9N	9,940	0.262	0.053	0.0200	0.0373	10.0
YFF21AC1H472MT0Y0N	4,580	0.280	0.054	0.0380	0.0475	10.0
YFF21AC1H472MT0Y9N	4,580	0.280	0.054	0.0380	0.0475	10.0
YFF21AC1H222MT0Y0N	2,240	0.238	0.050	0.0342	0.0652	10.0
YFF21AC1H222MT0Y9N	2,240	0.238	0.050	0.0342	0.0652	10.0
YFF21AC1H102MT0Y0N	1,040	0.277	0.037	0.0585	0.1133	10.0
YFF21AC1H102MT0Y9N	1,040	0.277	0.037	0.0585	0.1133	10.0
YFF21AC1H471MT0Y0N	489	0.125	0.070	0.0068	0.0413	10.0
YFF21AC1H471MT0Y9N	489	0.125	0.070	0.0068	0.0413	10.0
YFF21AC1H221MT0Y0N	215	0.220	0.055	0.0106	0.0383	10.0
YFF21AC1H221MT0Y9N	215	0.220	0.055	0.0106	0.0383	10.0
YFF21AC1H101MT0Y0N	106	0.151	0.057	0.0166	0.0692	10.0
YFF21AC1H101MT0Y9N	106	0.151	0.057	0.0166	0.0692	10.0
YFF21AC1H470MT0Y0N	51.3	0.214	0.060	0.0147	0.0984	10.0
YFF21AC1H470MT0Y9N	51.3	0.214	0.060	0.0147	0.0984	10.0

3-Terminal Filters

Jan. 12, 2024
Simple Model

Automotive Grade for General Use / YFF21AC series (2/2)

Circuit Diagram



Circuit Parameters

Part No.	C1[pF]	L1[nH]	L2[nH]	R1[ohm]	R2[ohm]	R3[Gohm]
YFF21AC1H220MT0Y0N	23.3	0.190	0.050	0.0279	0.1209	10.0
YFF21AC1H220MT0Y9N	23.3	0.190	0.050	0.0279	0.1209	10.0