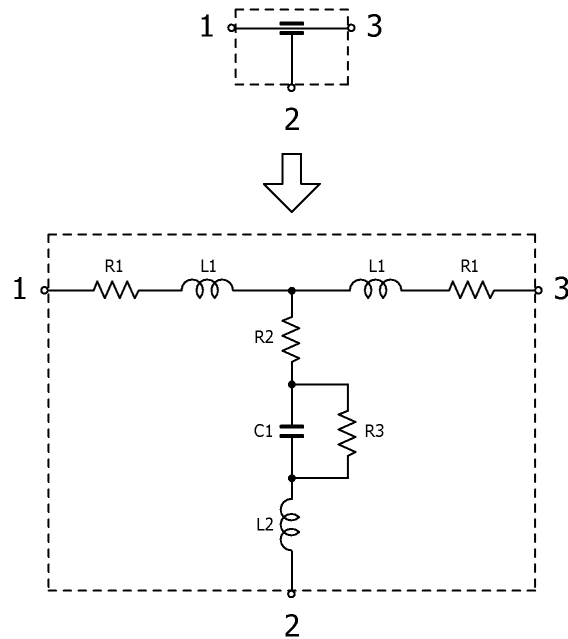


## 3-Terminal Filters

Jan. 12, 2024  
Simple Model

Commercial Grade for Power Line / YFF18PC series

### Circuit Diagram



### Circuit Parameters

Part No.	C1[pF]	L1[nH]	L2[nH]	R1[ohm]	R2[ohm]	R3[Gohm]
YFF18PC1C104MT0H0N	97,700	0.122	0.023	0.0052	0.0283	1.00
YFF18PC1C104MT0H9N	97,700	0.122	0.023	0.0052	0.0283	1.00
YFF18PC0J224MT0H0N	222,000	0.104	0.016	0.0033	0.0176	0.455
YFF18PC0J224MT0H9N	222,000	0.104	0.016	0.0033	0.0176	0.455
YFF18PC0J474MT0H0N	440,000	0.127	0.016	0.0035	0.0117	0.213
YFF18PC0J474MT0H9N	440,000	0.127	0.016	0.0035	0.0117	0.213
YFF18PC0J105MT0H0N	762,000	0.134	0.020	0.0056	0.0082	0.100
YFF18PC0J105MT0H9N	762,000	0.134	0.020	0.0056	0.0082	0.100
YFF18PC0J475MT0H0N	3,550,000	0.122	0.022	0.0015	0.0050	0.0213
YFF18PC0J475MT0H9N	3,550,000	0.122	0.022	0.0015	0.0050	0.0213