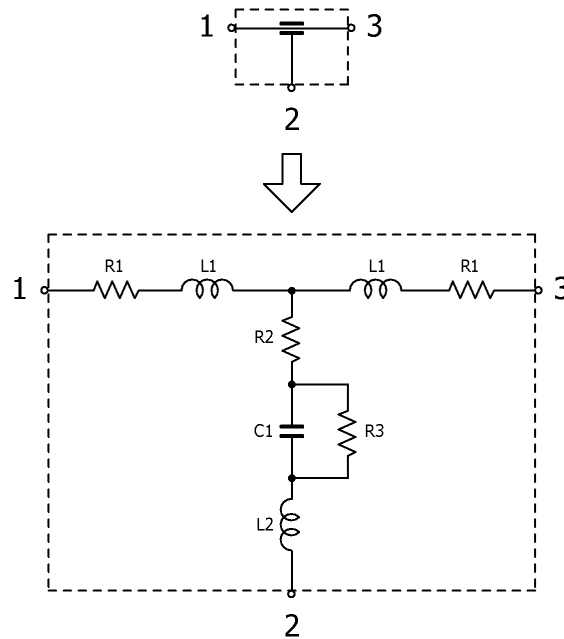


## 3-Terminal Filters

Jan. 12, 2024  
Simple Model

Commercial Grade for Power Line / YFF18PW series

### Circuit Diagram



### Circuit Parameters

Part No.	C1[pF]	L1[nH]	L2[nH]	R1[ohm]	R2[ohm]	R3[Gohm]
YFF18PW0J474MT0H0N	414,000	0.167	0.006	0.0077	0.0062	0.213
YFF18PW0J474MT0H9N	414,000	0.167	0.006	0.0077	0.0062	0.213
YFF18PW0J105MT0H0N	863,000	0.138	0.006	0.0064	0.0043	0.100
YFF18PW0J105MT0H9N	863,000	0.138	0.006	0.0064	0.0043	0.100
YFF18PW0J475MT0H0N	3,430,000	0.146	0.006	0.0030	0.0031	0.0213
YFF18PW0J475MT0H9N	3,430,000	0.146	0.006	0.0030	0.0031	0.0213