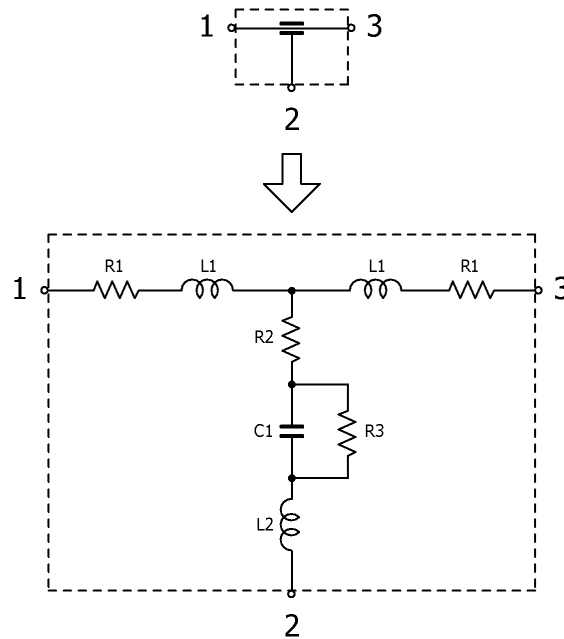


3-Terminal Filters

Jan. 12, 2024
Simple Model

Commercial Grade for Power Line / YFF21PC series

Circuit Diagram



Circuit Parameters

Part No.	C1[pF]	L1[nH]	L2[nH]	R1[ohm]	R2[ohm]	R3[Gohm]
YFF21PC1A105MT000N	957,000	0.124	0.026	0.0014	0.0118	0.100
YFF21PC1A105MT009N	957,000	0.124	0.026	0.0014	0.0118	0.100
YFF21PC1C474MT000N	482,000	0.157	0.025	0.0021	0.0144	0.213
YFF21PC1C474MT009N	482,000	0.157	0.025	0.0021	0.0144	0.213
YFF21PC0J226MT000N	15,300,000	0.088	0.029	0.0004	0.0035	0.00455
YFF21PC0J226MT009N	15,300,000	0.088	0.029	0.0004	0.0035	0.00455