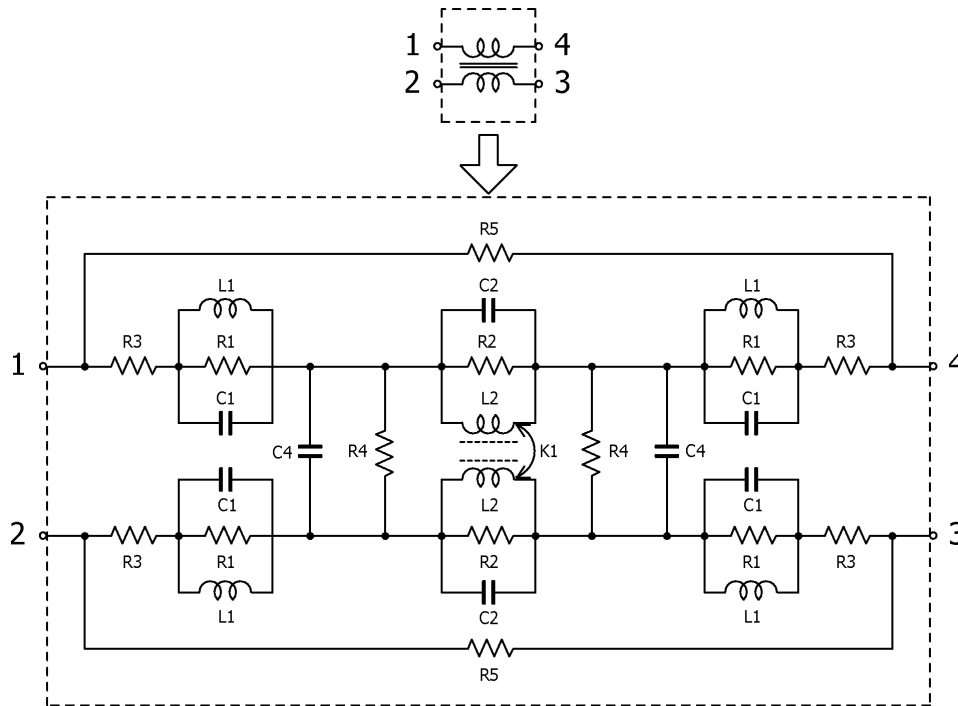


Common Mode Filters

Aug. 18, 2020
Simple Model

Automotive Grade for Signal Line / ACM2012 series

Circuit Diagram



Circuit Parameters

Part No.	R1[ohm]	L1[nH]	C1[pF]	R2[ohm]	L2[nH]	C2[pF]	R3[ohm]	R4[Gohm]	C4[pF]	R5[Gohm]	K1
ACM2012-900-2P-T001	98	4.8	0.01	1,110	262	0.015	0.062	1	0.77	1	1.00000
ACM2012-121-2P-T001	93	3.3	0.01	1,250	421	0.014	0.075	1	1.00	1	1.00000
ACM2012-201-2P-T001	74	3.6	0.01	1,410	607	0.015	0.088	1	1.17	1	1.00000
ACM2012-361-2P-T001	68	4.3	0.01	1,990	995	0.015	0.181	1	1.42	1	1.00000
ACM2012-681-2P-T001	65	6.1	0.01	3,920	1,790	0.038	0.427	1	1.82	1	1.00000
ACM2012-102-2P-T001	60	7.7	0.01	5,160	2,700	0.031	0.605	1	2.22	1	1.00000
ACM2012-222-2P-T001	61	9.0	0.01	9,210	6,210	0.028	0.691	1	2.67	1	1.00000