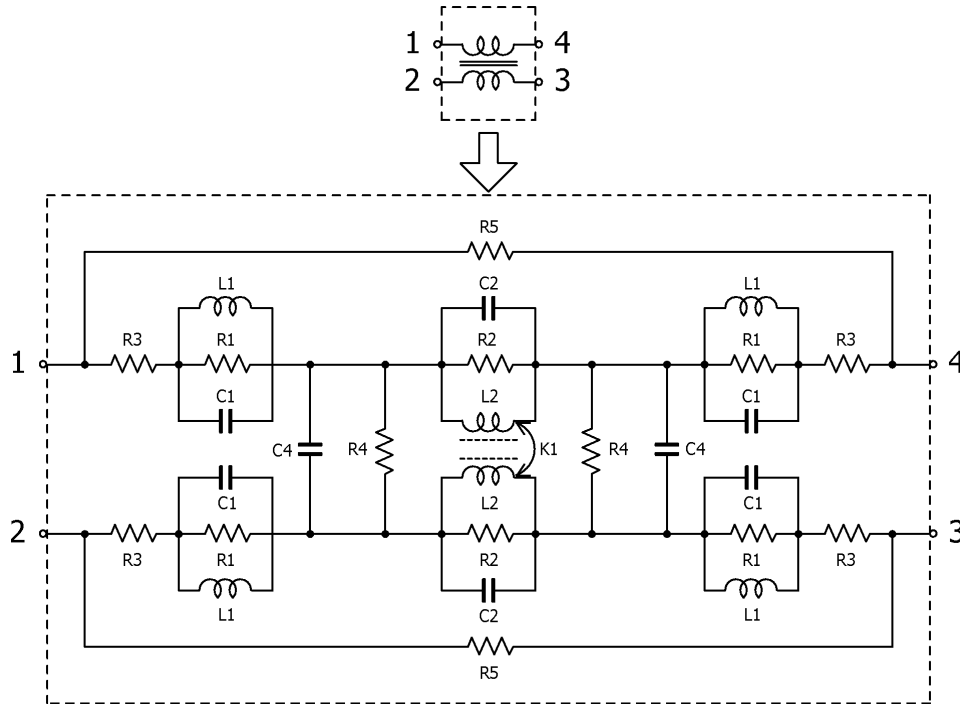


**Signal Line Common Mode Chokes/Filters**

May 23, 2024  
Simple Model

Automotive Grade for Signal Line / ACM2012H series

**Circuit Diagram**



**Circuit Parameters**

Part No.	R1[ohm]	L1[nH]	C1[pF]	R2[ohm]	L2[nH]	C2[pF]	R3[ohm]	R4[Gohm]	C4[pF]	R5[Gohm]	K1
ACM2012H-900-2P-T03	182	2.6	0.01	1,210	483	0.005	0.081	1	0.35	1	1.00000