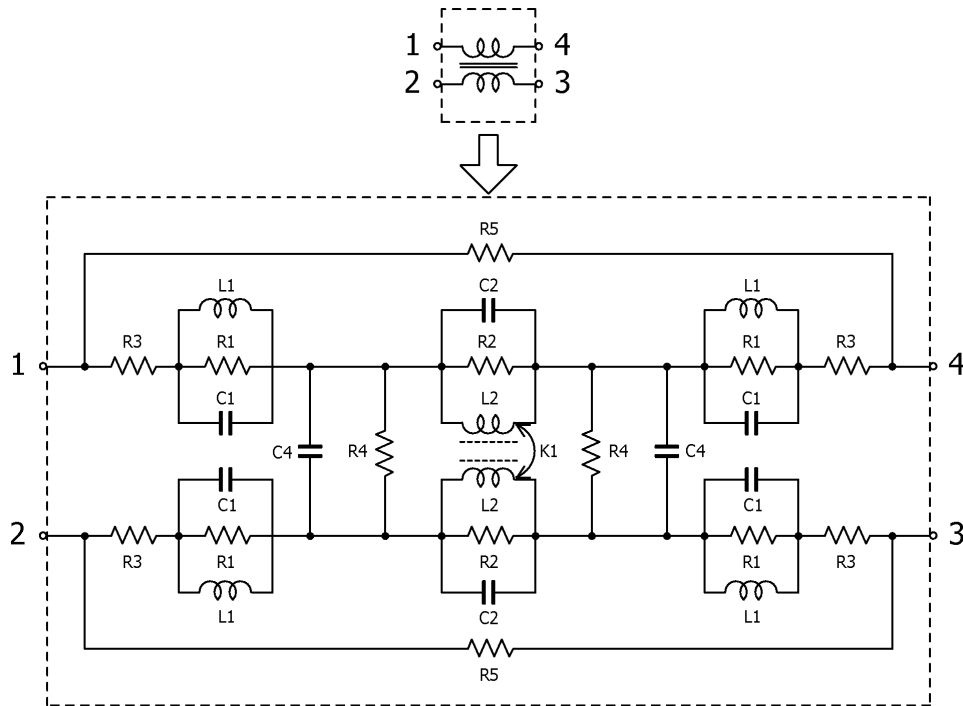


## Common Mode Filters

Aug. 28, 2018  
Simple Model

Automotive Grade for Signal Line / ACT1210R series

### Circuit Diagram



### Circuit Parameters

Part No.	R1[ohm]	L1[nH]	C1[pF]	R2[ohm]	L2[nH]	C2[pF]	R3[ohm]	R4[Gohm]	C4[pF]	R5[Gohm]	K1
ACT1210R-101-2P-TL00	49	15.7	0.01	22,200	81,400	0.041	0.647	1	5.80	1	1.00000